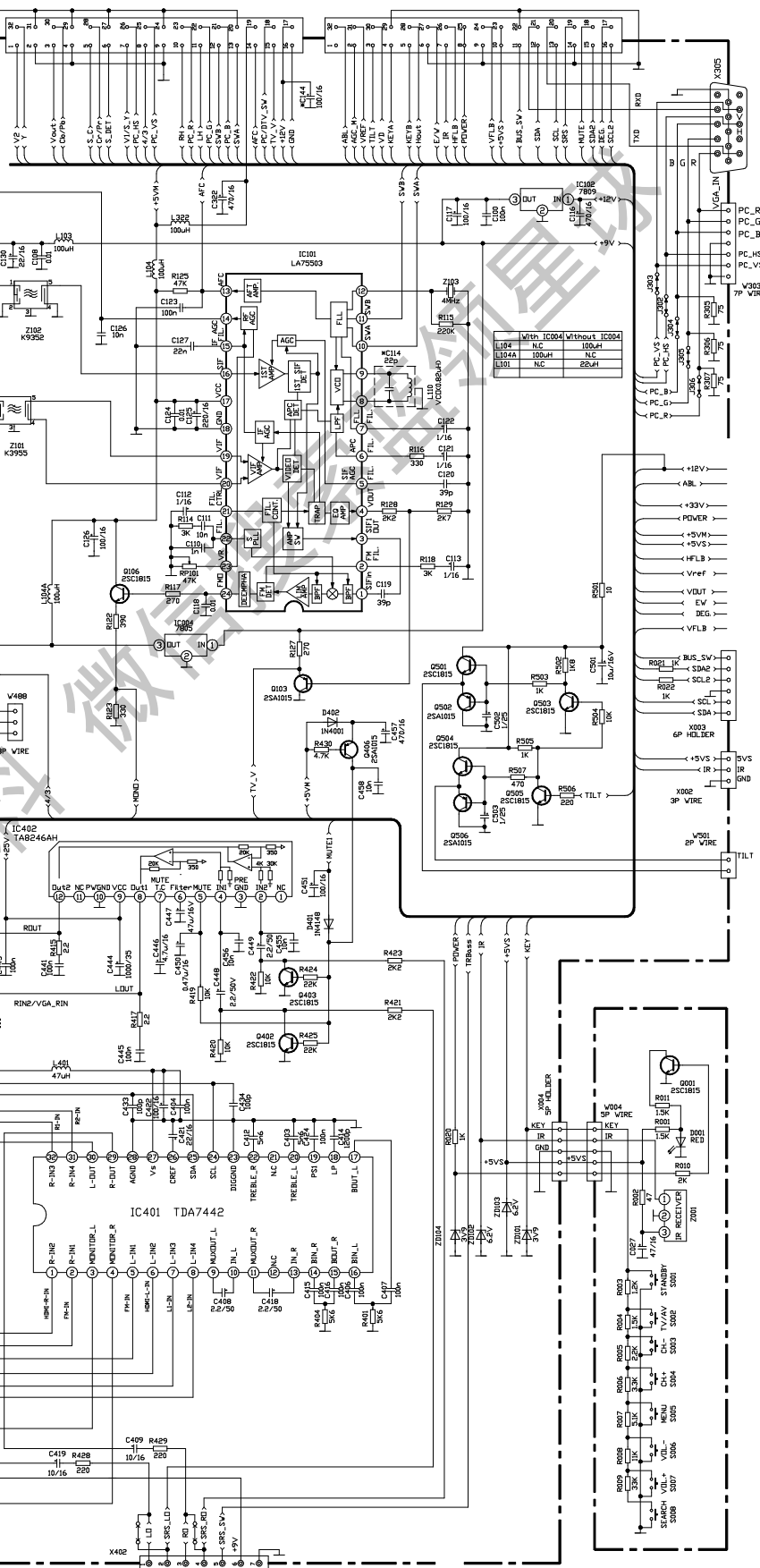


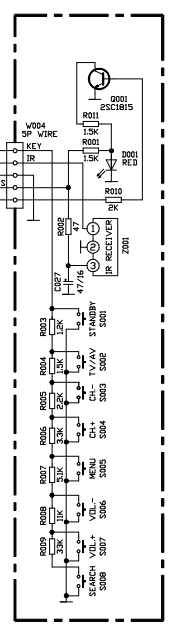
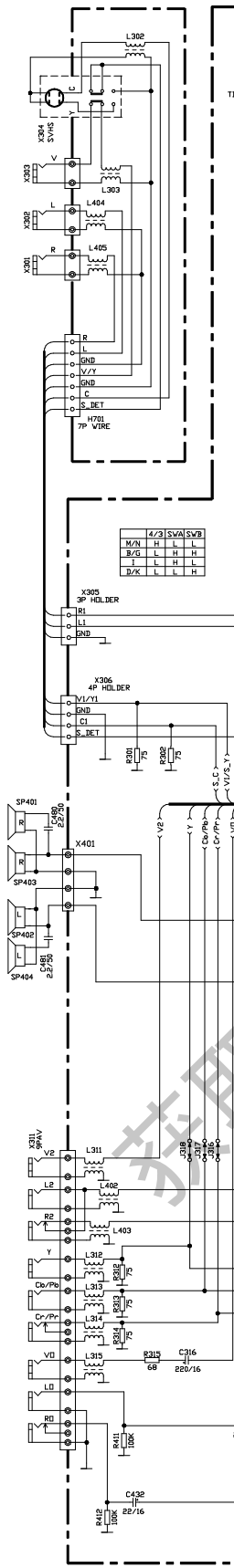
6D90+HDMI
2004-12-30

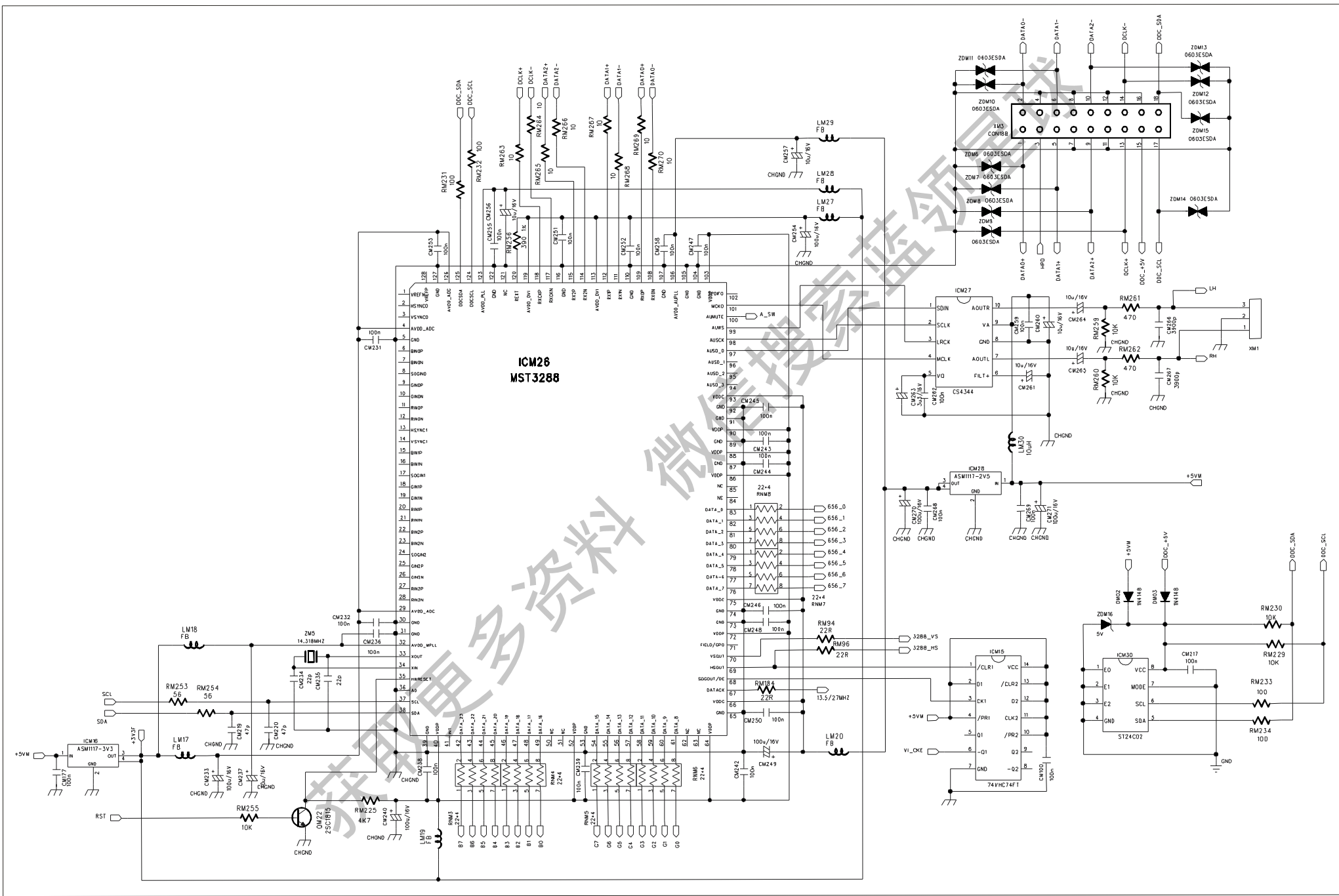
U101
TD0-399/16CV

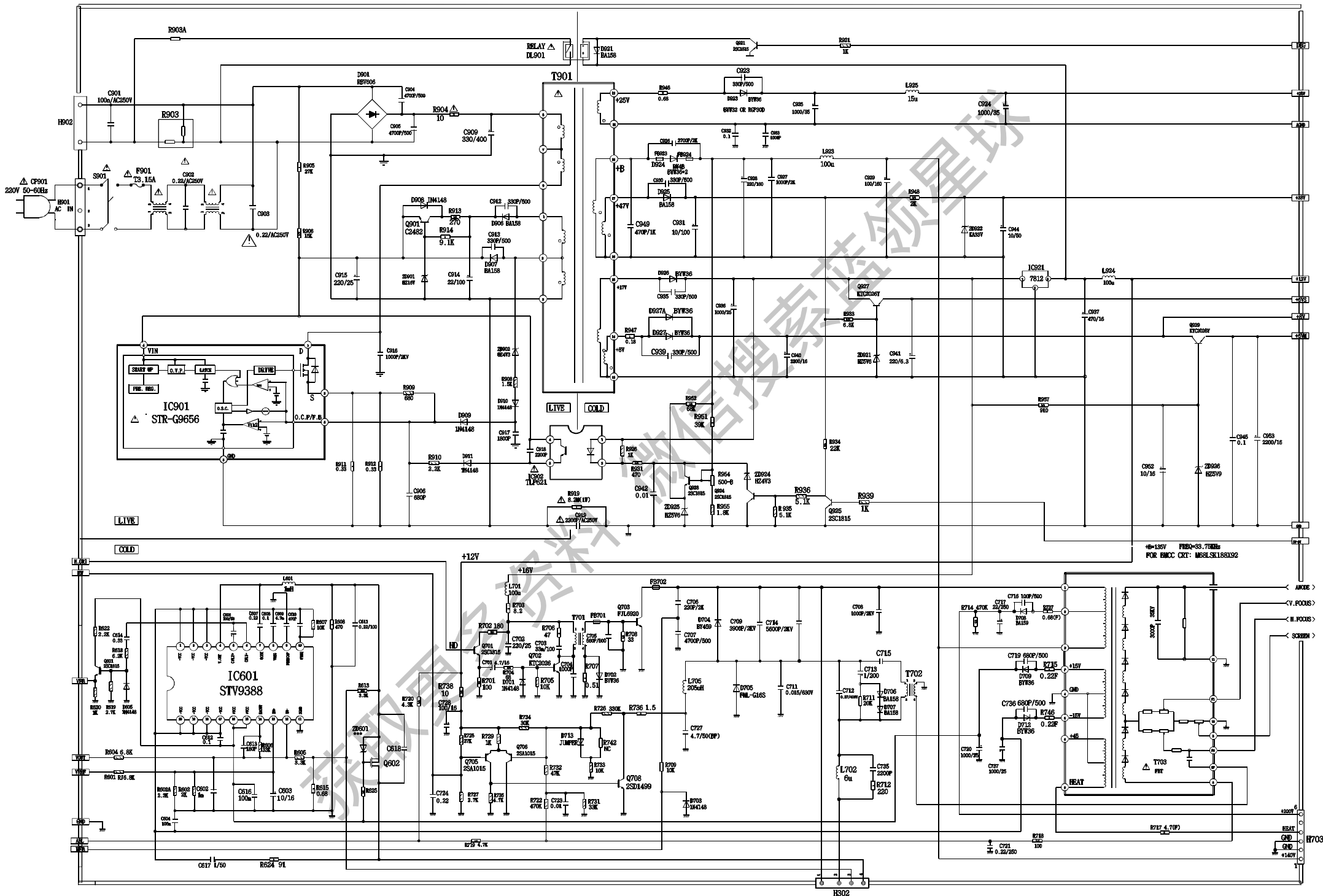


	4	3	SW	S	V	B
M/N	H	L	L	L	L	L
B/G	L	L	H	H	H	H
D/K	L	L	L	L	L	L

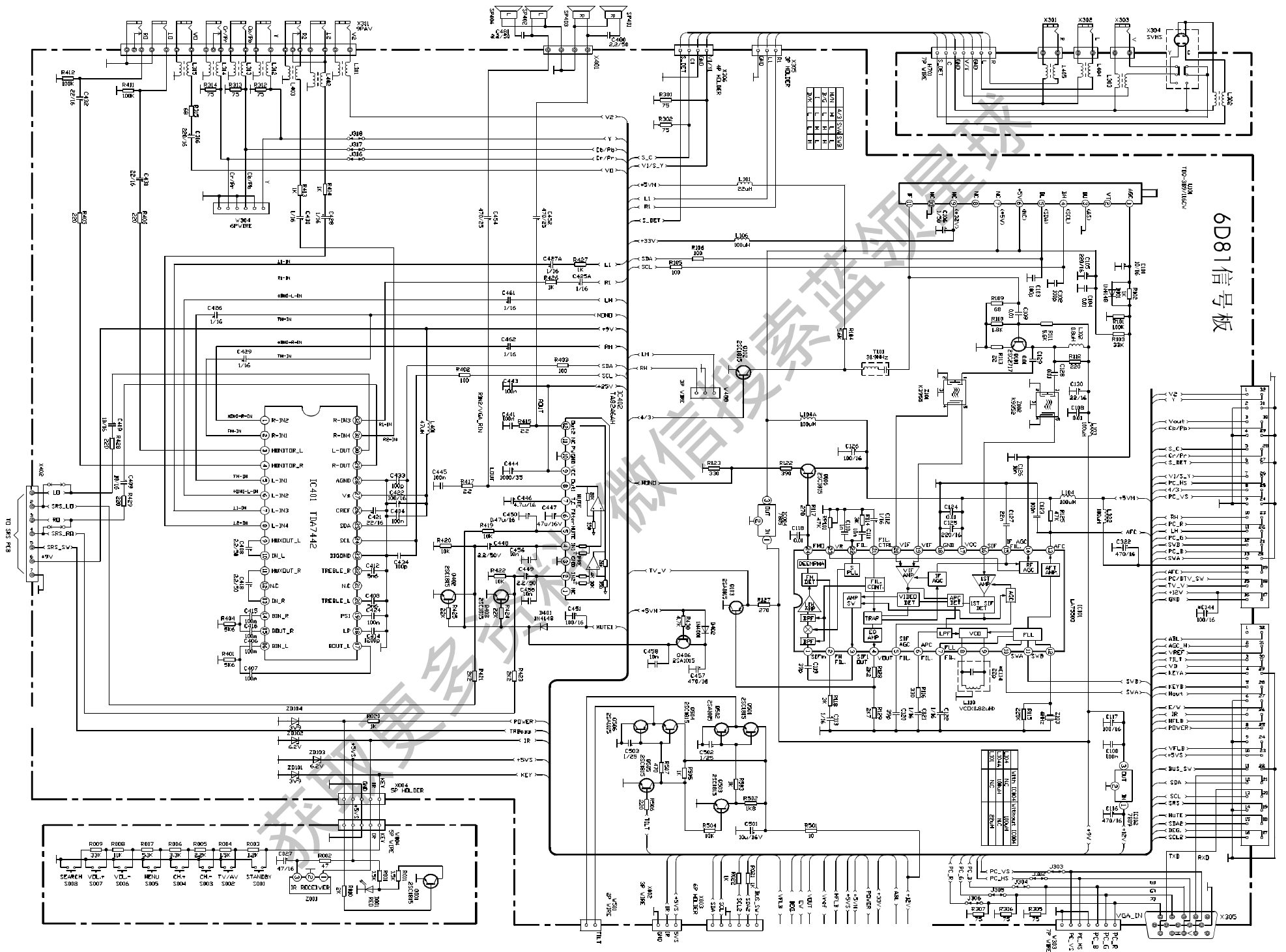
	With IC004	Without IC004
U101	100uH	100uH
U102	100uH	100uH
U103	NC	20uH





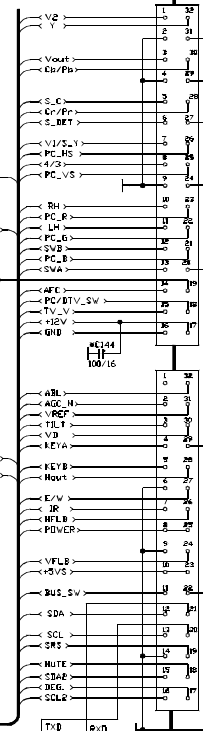


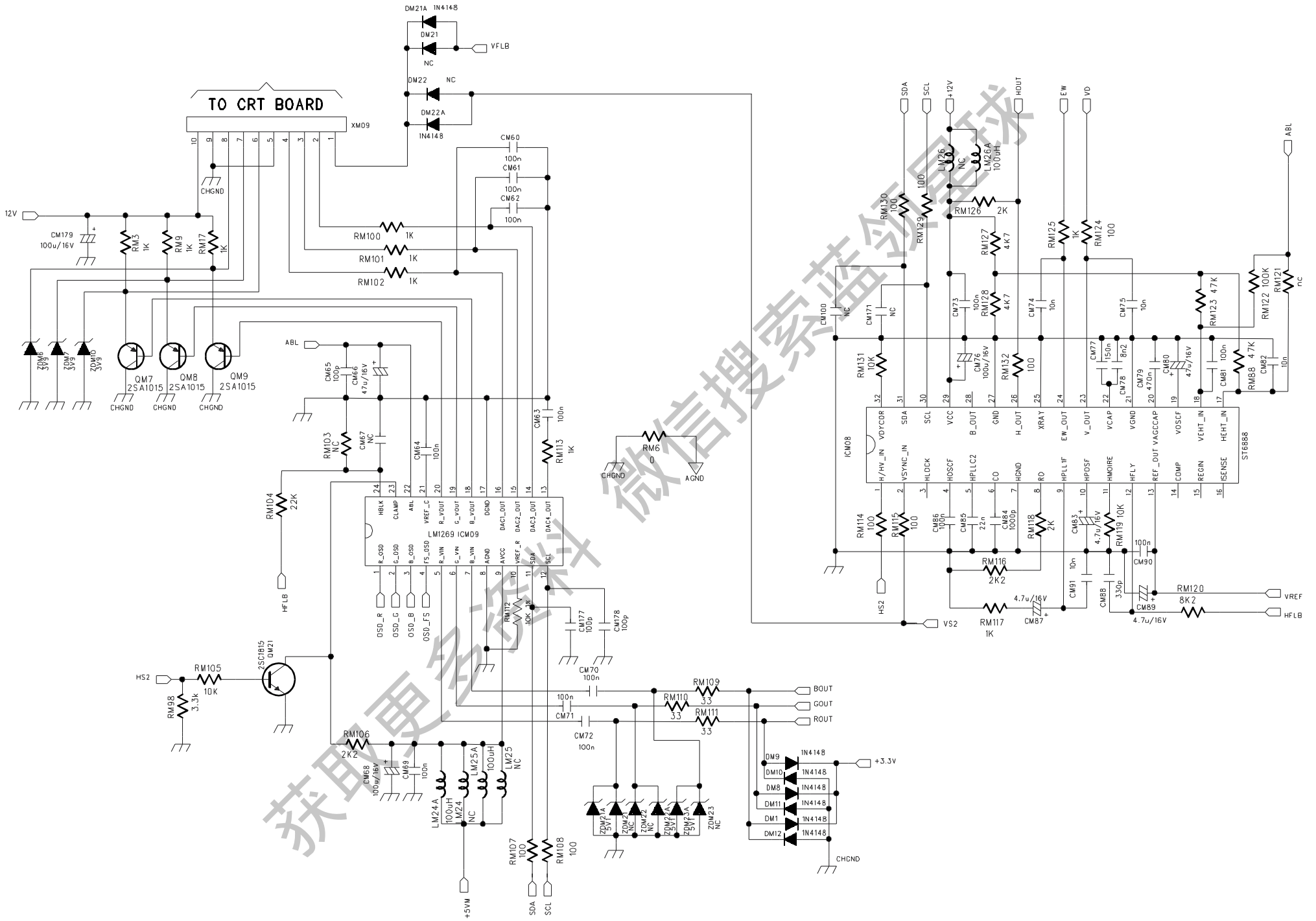
6D81信号板

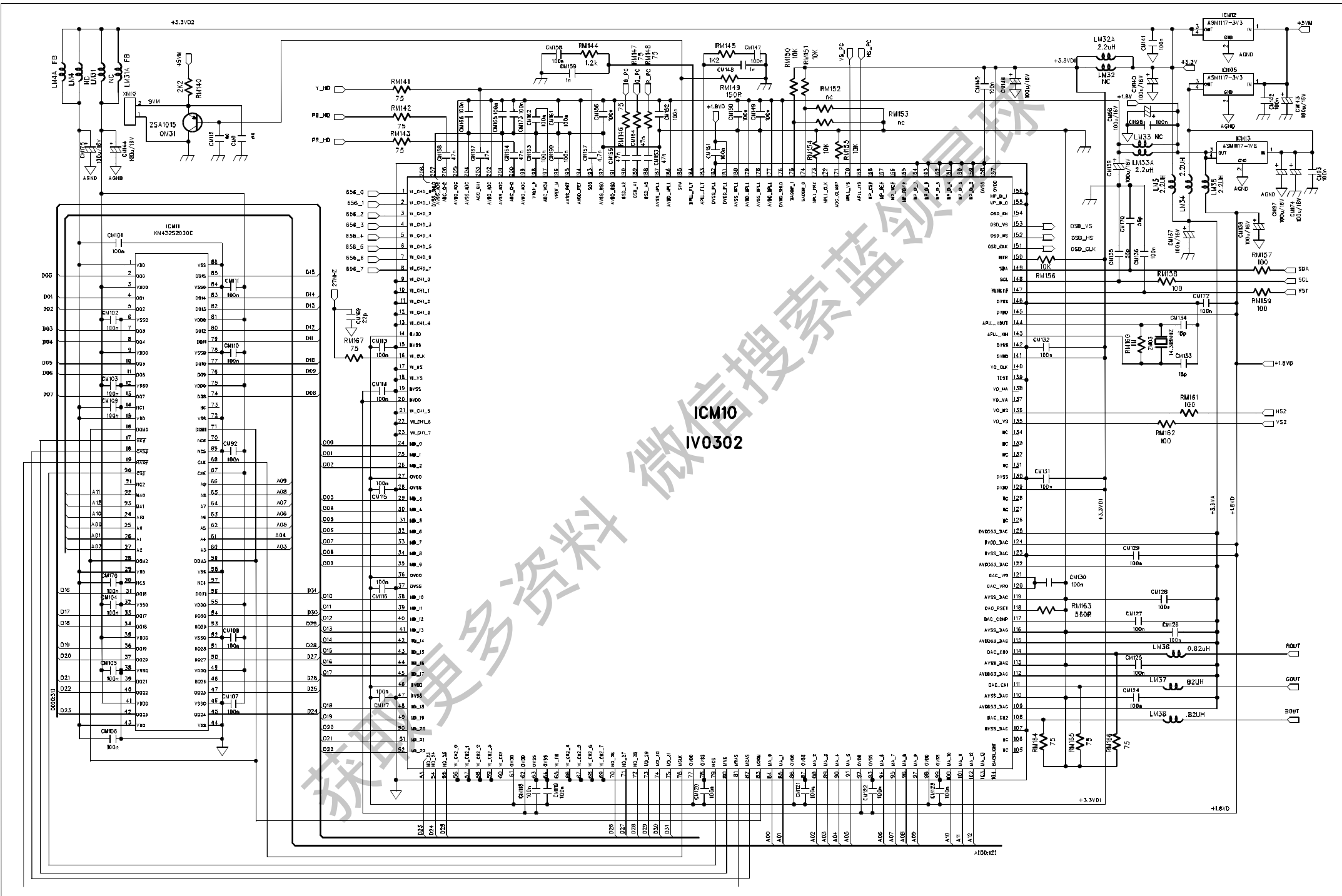


NO.	MARKING	QTY
1	47K	1
2	10K	1
3	10K	1
4	10K	1
5	10K	1
6	10K	1
7	10K	1
8	10K	1
9	10K	1
10	10K	1

NO.	MARKING	QTY
1	10K	1
2	10K	1
3	10K	1
4	10K	1
5	10K	1
6	10K	1
7	10K	1
8	10K	1
9	10K	1
10	10K	1







ICM10
IV0302

