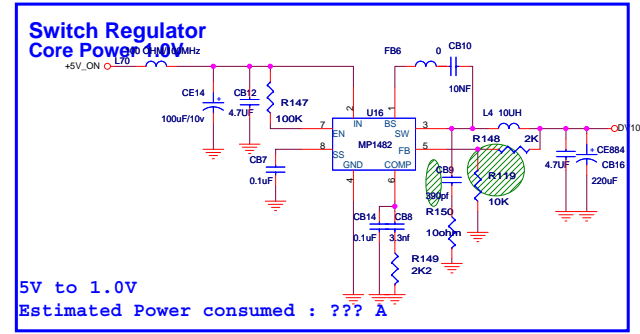
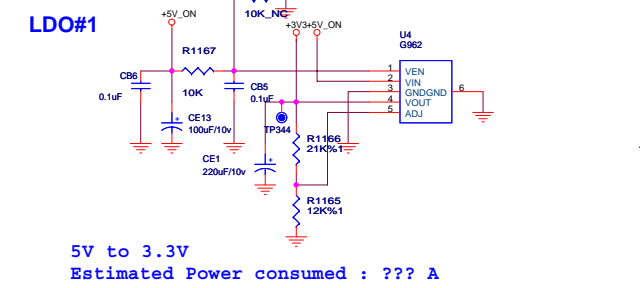
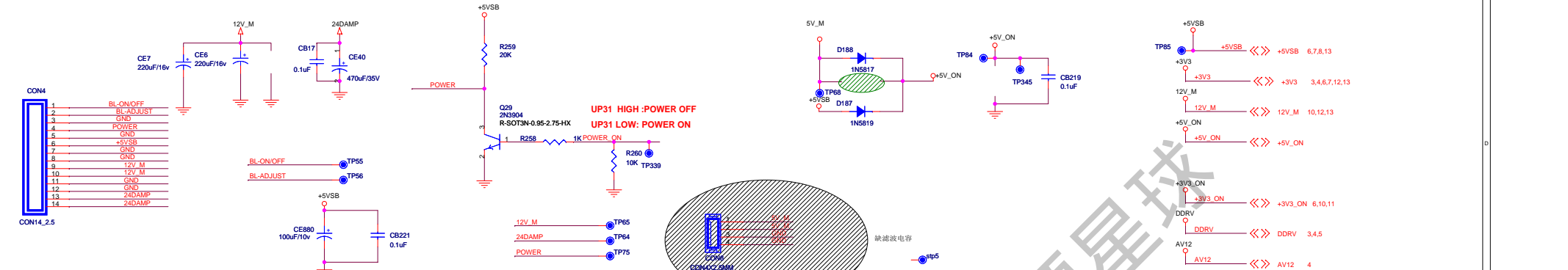
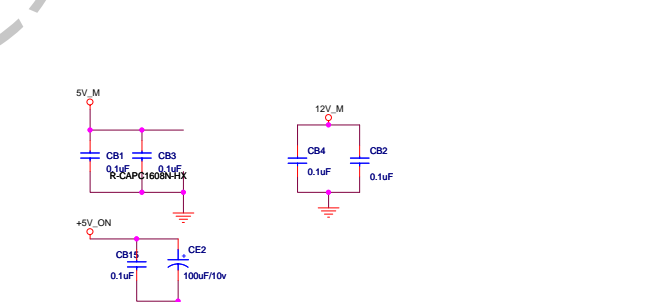
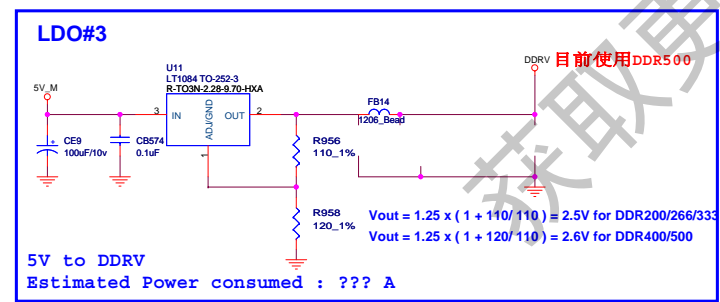


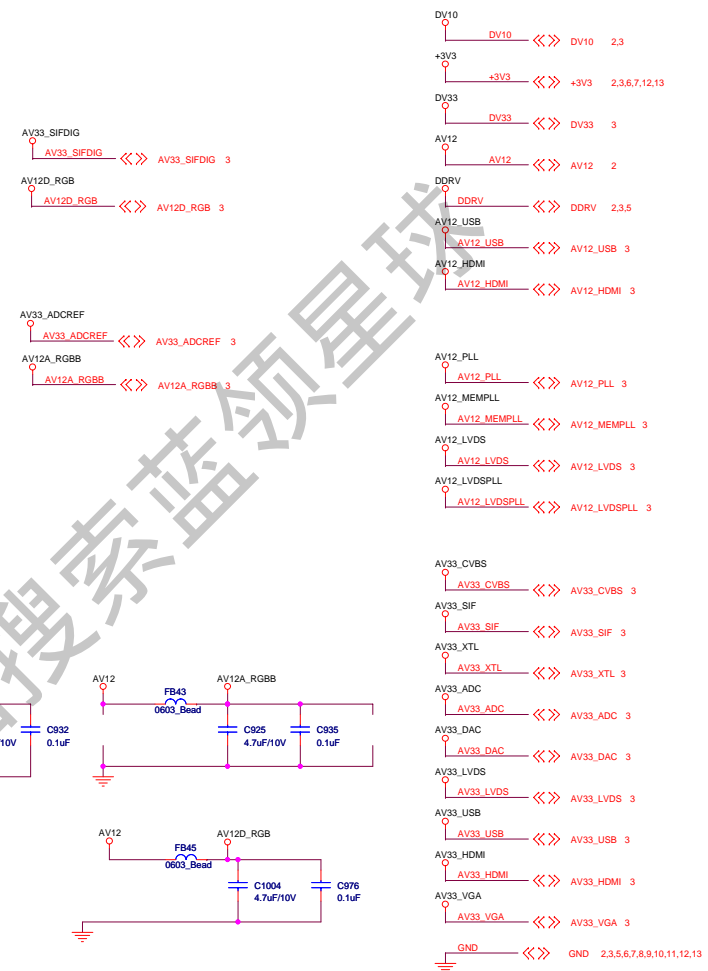
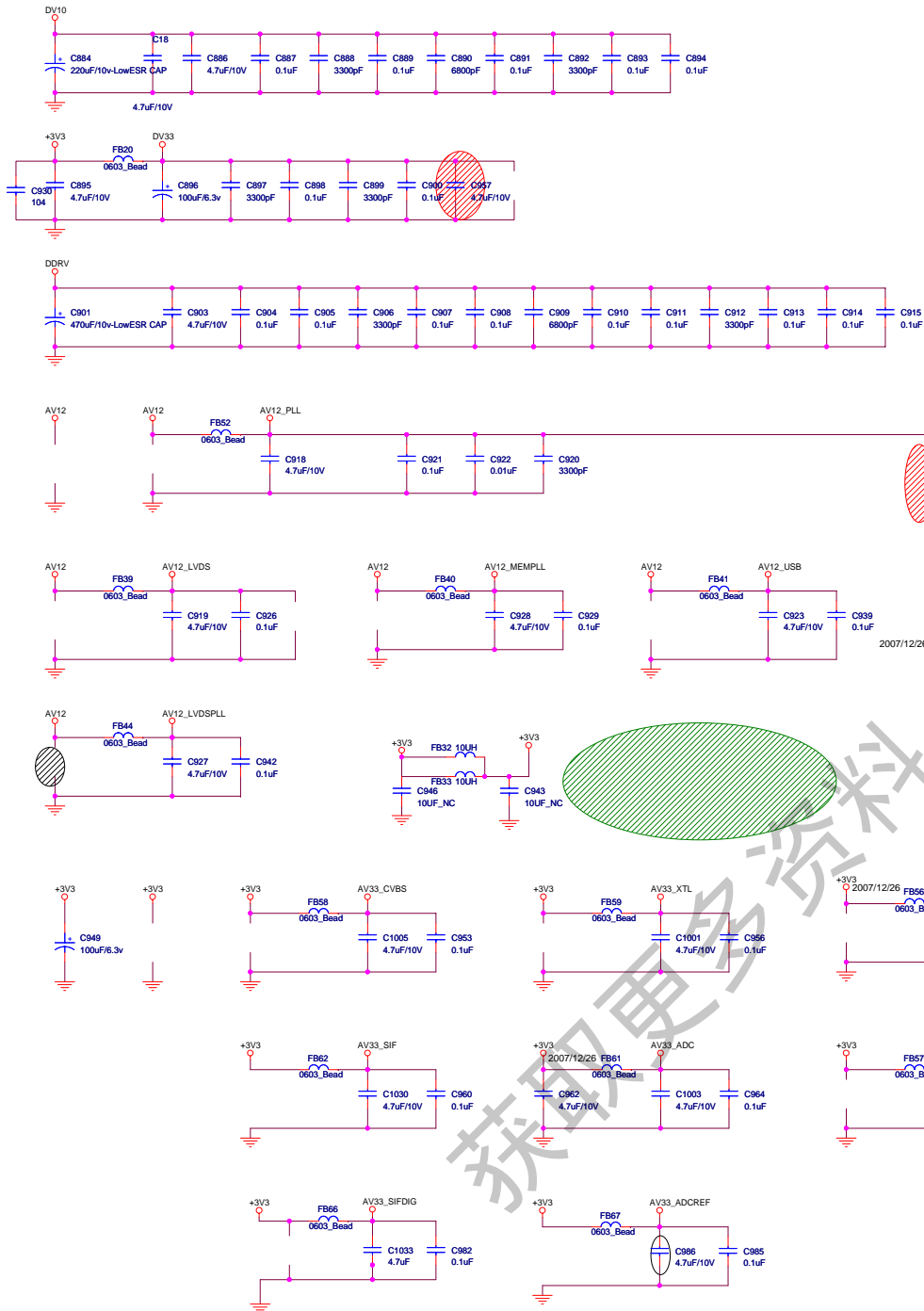
Power for MT8222 only (Always on)



Works at normal mode

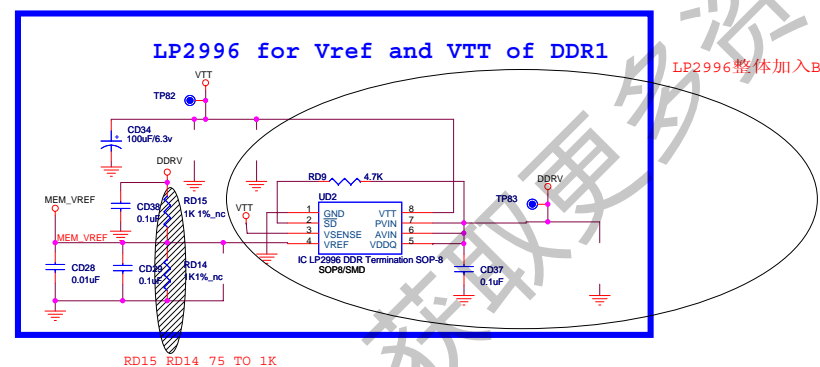
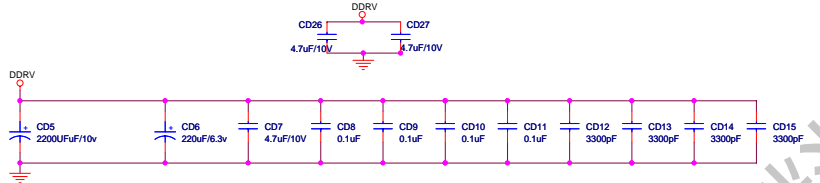
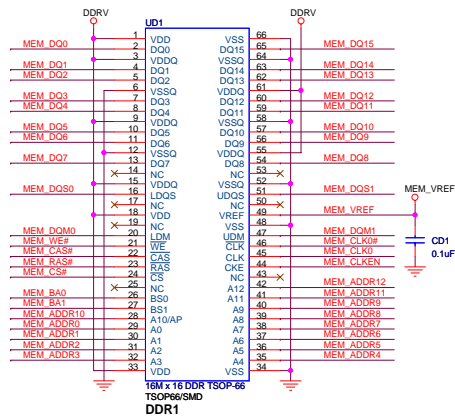


(Bypass CAPs around MT8222)

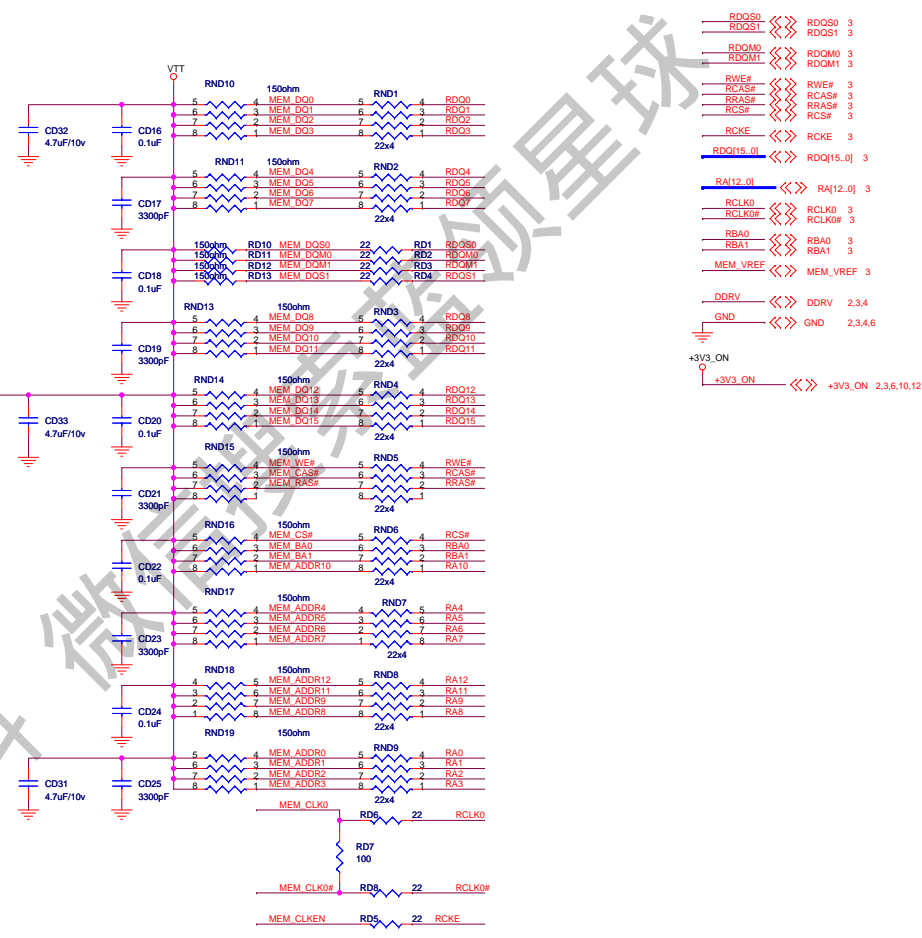


禁闻网资料
 微信搜索 蓝领星球

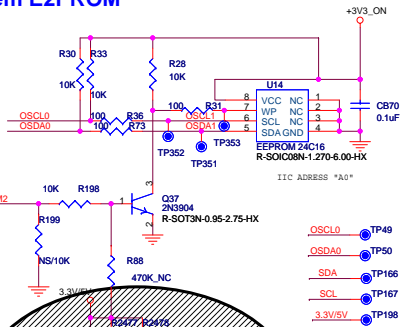
(DDR1 DRAM With Termination)



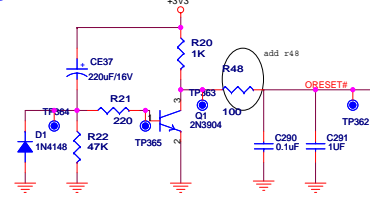
RD15 RD14 75 TO 1K



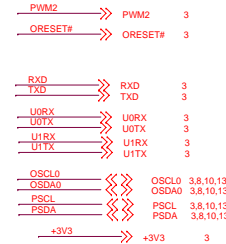
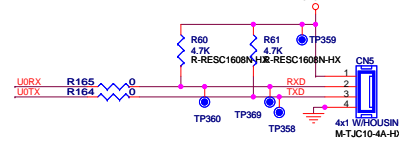
System E2PROM



System Reset#



1st UART IF (For Code download and Debug)

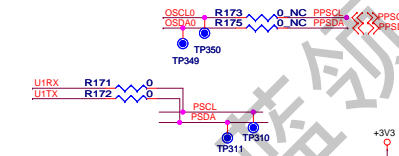


MT8222 Trapping



LED_LIGHT_CONTROL

2nd UART IF



Serial Flash

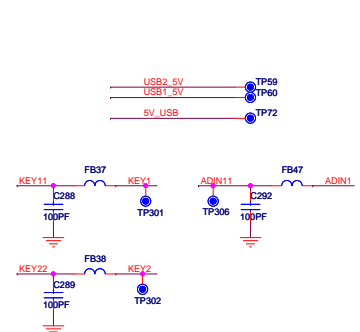
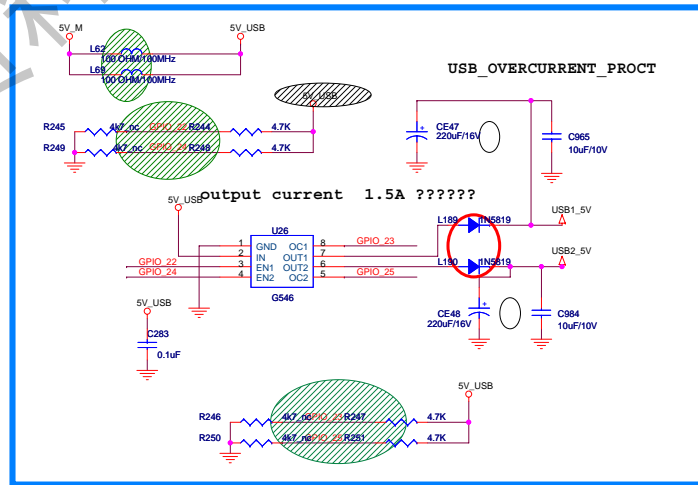
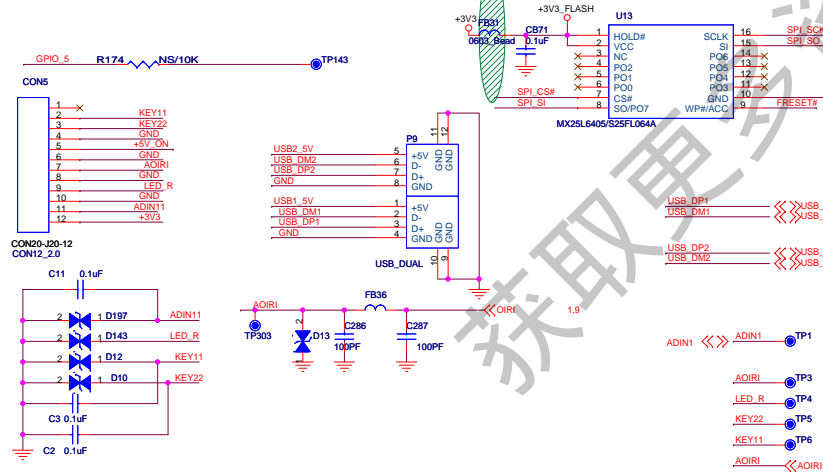
位置尽量靠近8222, 附近若有IO需要串磁珠并且避让, EMC问题

32mbit/16mbit

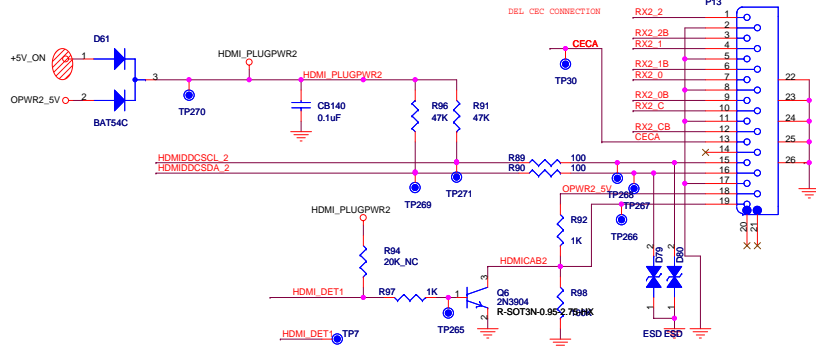


MEMORY CARD I/F GPIO RESERVED

还需要吗????????

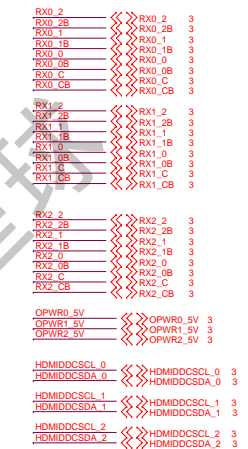
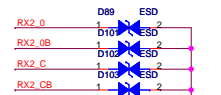
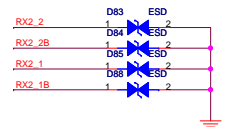


HDMI port 0

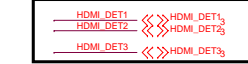
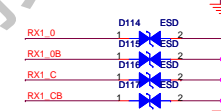
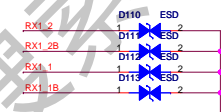
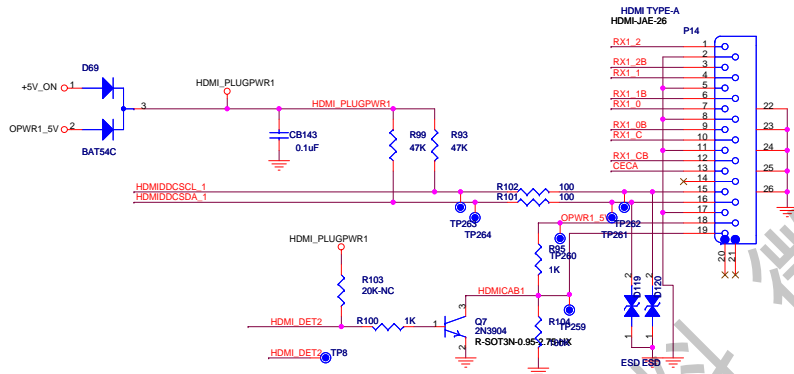


如果不需要CEC去掉

ESD 1.3 USED



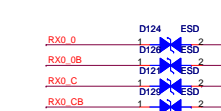
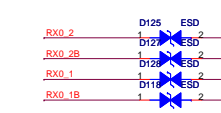
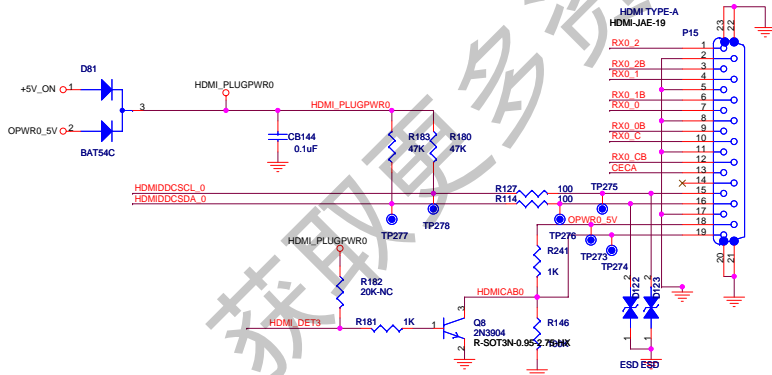
HDMI port 1



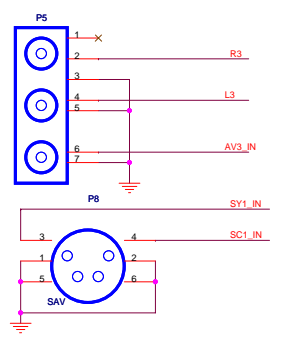
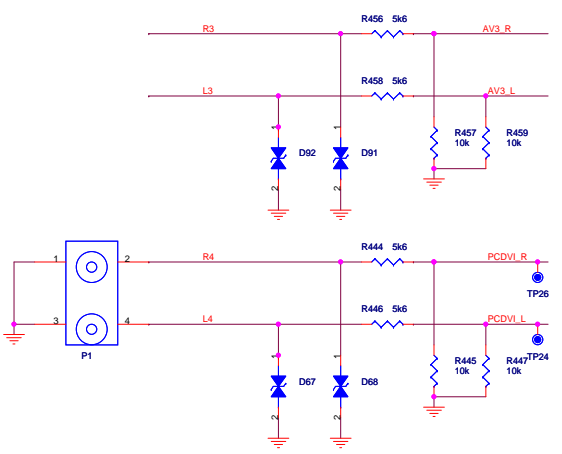
(HDMI Hot Plug Detect)



HDMI port 2

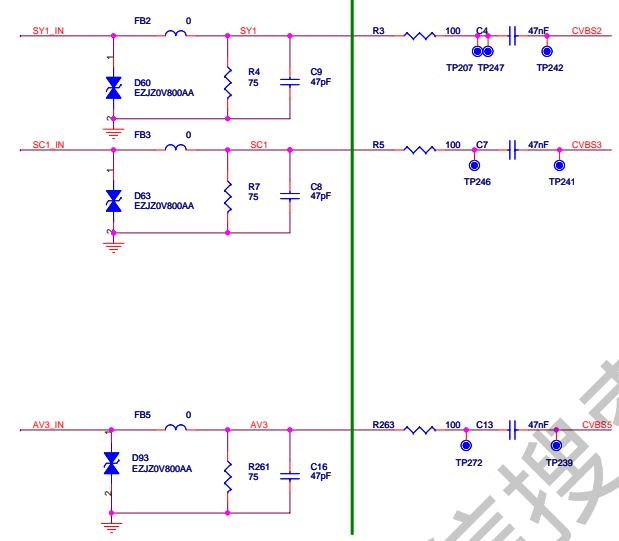


1. B2P供电更改
2. 各信号上ESD器件更改



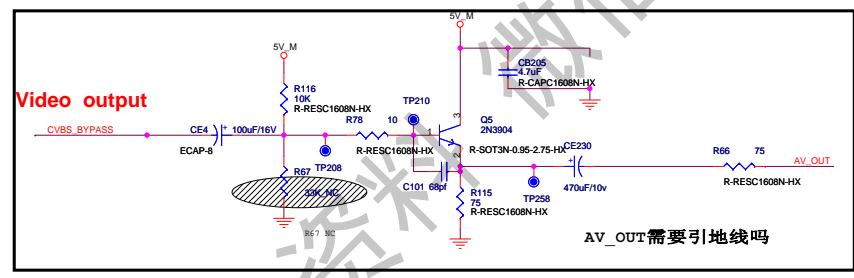
NEAR CONNECTOR

NEAR IC



- SY1_IN TP10
- SC1_IN TP11
- AV_OUT TP15

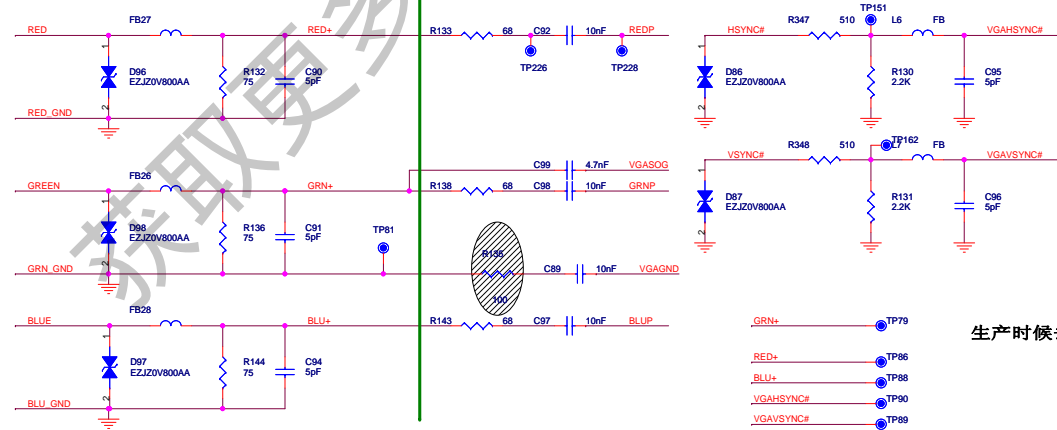
- GND <<>> GND 2,3,4,5,6,7,9,10,11,12,13
- +5VSB <<>> +5VSB 2,6,7,13
- AV1_IN <<>> AV1_IN 11
- TP117
- CVBS2 <<>> CVBS2
- CVBS3 <<>> CVBS3
- AV_OUT <<>> AV_OUT
- CVBS5 <<>> CVBS5
- AV3_R <<>> AV3_R
- AV3_L <<>> AV3_L
- 5V_M <<>> 5V_M 2,6,11,13
- CVBS_BYPASS <<>> CVBS_BYPASS 3
- PCDVL_L <<>> PCDVL_L 10
- PCDVL_R <<>> PCDVL_R 10



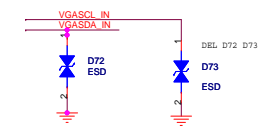
- +5V_ON <<>> +5V_ON 2
- VGASOG <<>> VGASOG 3
- REDP <<>> REDP 3
- VGAGND <<>> VGAGND 3
- GRNP <<>> GRNP 3
- BLUP <<>> BLUP 3
- VGASOIN# <<>> VGASOIN# 3
- VGASOIN# <<>> VGASOIN# 3
- 5V_M <<>> 5V_M 2,6,11,13

NEAR CONNECTOR

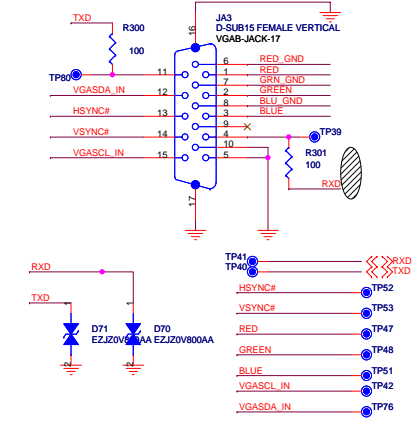
NEAR IC



- VGASCL_IN R158 100 VGASCL VGASCL 3
- VGASDA_IN R151 100 VGASDA VGASDA 3
- TP32
- TP34
- OSDA0 <<>> OSDA0 3,6,10,13
- OSCL0 <<>> OSCL0 3,6,10,13



生产时候去掉



MediaTek Confidential

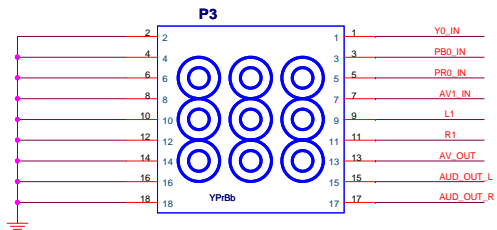
MediaTek (Shenzhen) Inc.

Title: **CVBS/ S-Video / VGA**

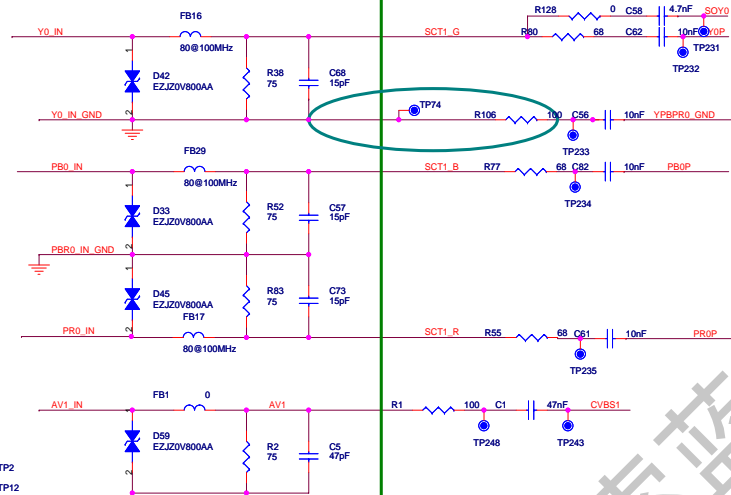
Size	Document Number	Drawn: Jili.Ni	Rev 1
C	MT8222	Date: 2008/1/25	Sheet 8 of 13

NEAR CONNECTOR

NEAR IC

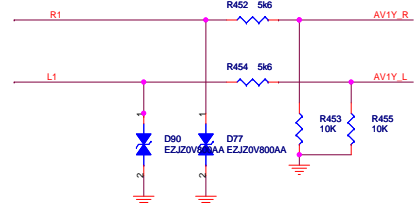


- TP22 Y0_IN
TP21 Y1_IN
TP14 PB0_IN
TP17 PB1_IN
TP20 PR0_IN
TP19 PR1_IN



NEAR IC

AV1 TP124



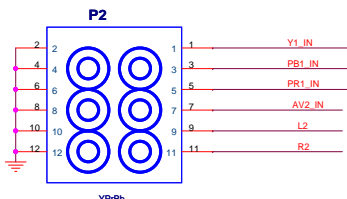
- AV_OUT <<> AV_OUT
AV1_IN <<> AV1_IN
GND <<> GND 2,3,4,5,6,7,8,10,11,12,13

- CVBS1 <<> CVBS1 3
SOY0 <<> SOY0 3
Y0P <<> Y0P 3
YBPBPRO_GND <<> YBPBPRO_GND 3
PB0P <<> PB0P 3
PR0P <<> PR0P 3

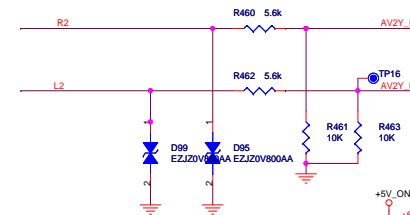
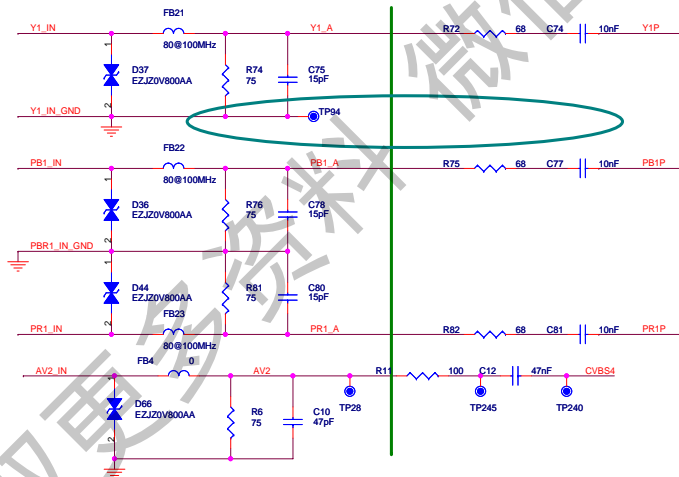
- AV1Y_R <<> AV1Y_R 11
AV1Y_L <<> AV1Y_L 11

NEAR CONNECTOR

NEAR IC



- TP97 AV2_IN
TP106 L2
TP107 R2

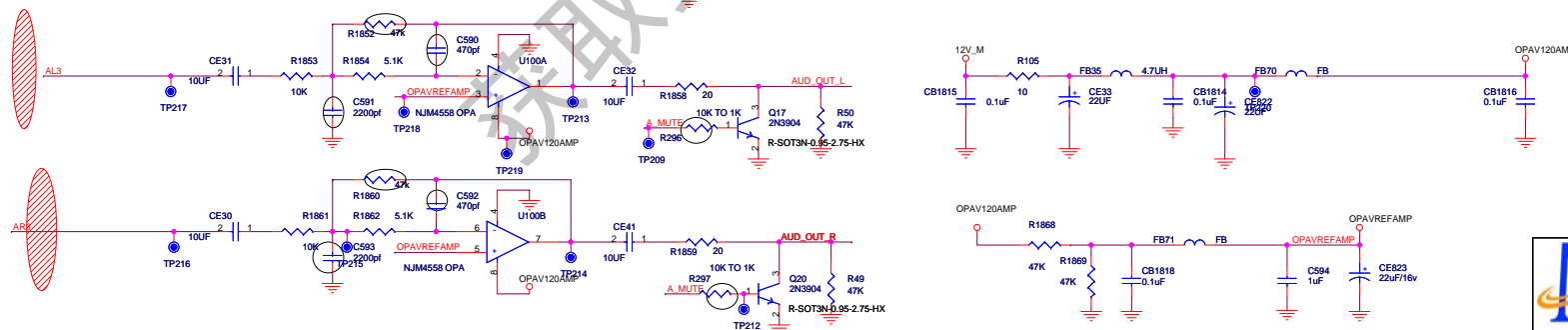


- SCT1_B TP96
SCT1_G TP95
PB1_A TP91
SCT1_R TP93
PR1_A TP92
Y1_A TP54
A_MUTE TP129

- +5V_ON <<> +5V_ON 2
GND <<> GND 2,3,4,5,6,7,8,10,11,12,13

- A_MUTE <<> A_MUTE 3
Y1P <<> Y1P 3
PB1P <<> PB1P 3
PR1P <<> PR1P 3

- AL3 <<> AL3
AR3 <<> AR3
AV2Y_R <<> AV2Y_R
AV2Y_L <<> AV2Y_L



MediaTek Confidential
MediaTek (Shenzhen) Inc.
Title: YPbPr
Size: 11.5x16.5
Doc Number: MT8222
Date: 2009/1/25
Drawn: Jiu.Ni
Sheet: 9 of 15

