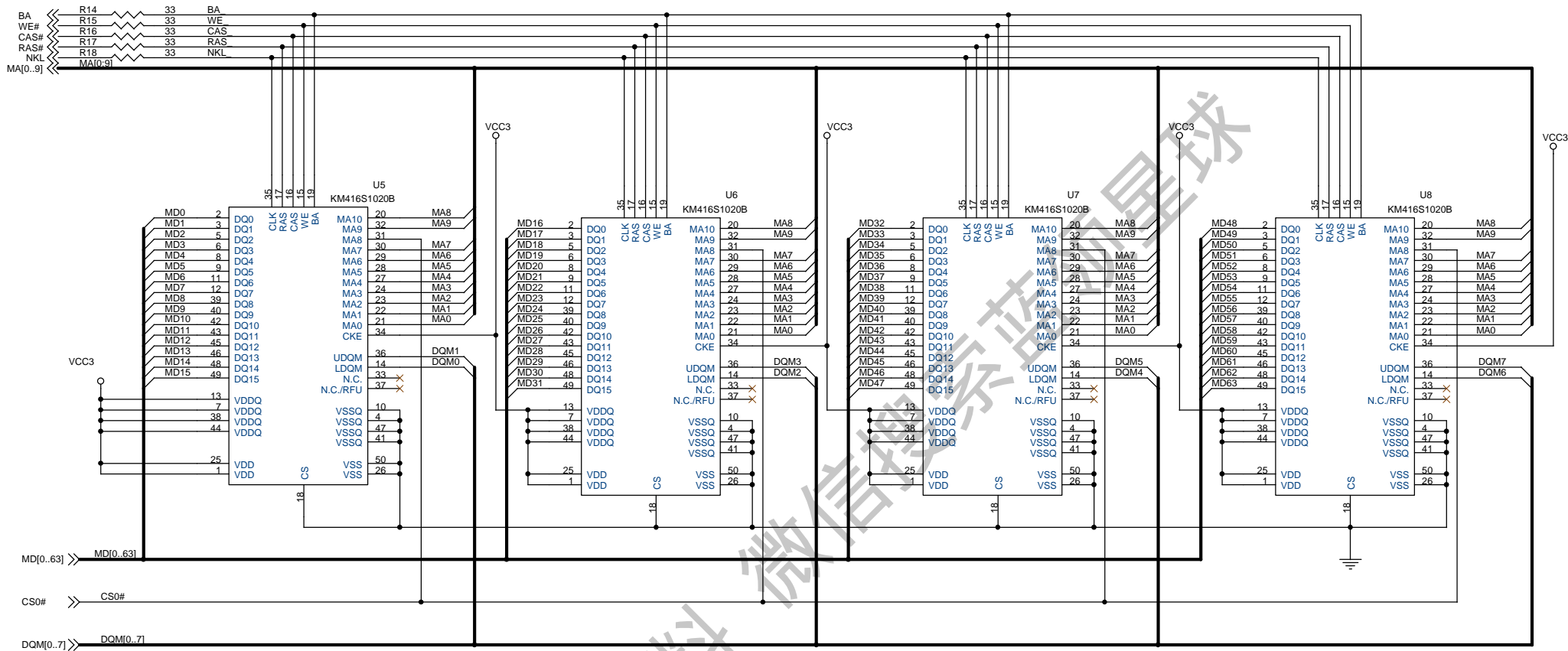


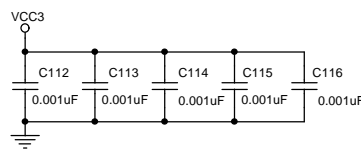
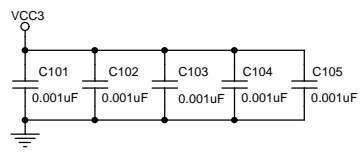
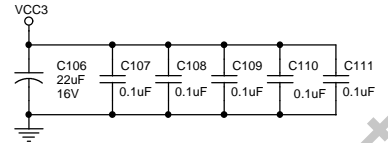
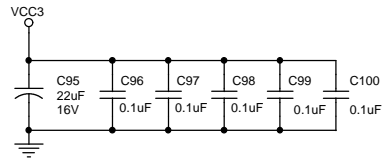
PRELIMINARY

This is an application example.
 Trident Multimedia Technologies(Shanghai) Co., Ltd. bears no responsibility for any errors or omissions in this document.
 Copyright 2001 Trident Multimedia Technologies(Shanghai) Co., Ltd.
 Information subject to change without notice.

Trident Multimedia Technologies(Shanghai) Co., Ltd.			
Doc No.	DPTV_3D	Rev.	1.0
Document Number	LCFB-SH408	File	TC
Date	Thursday, April 02, 2009	Maker	4

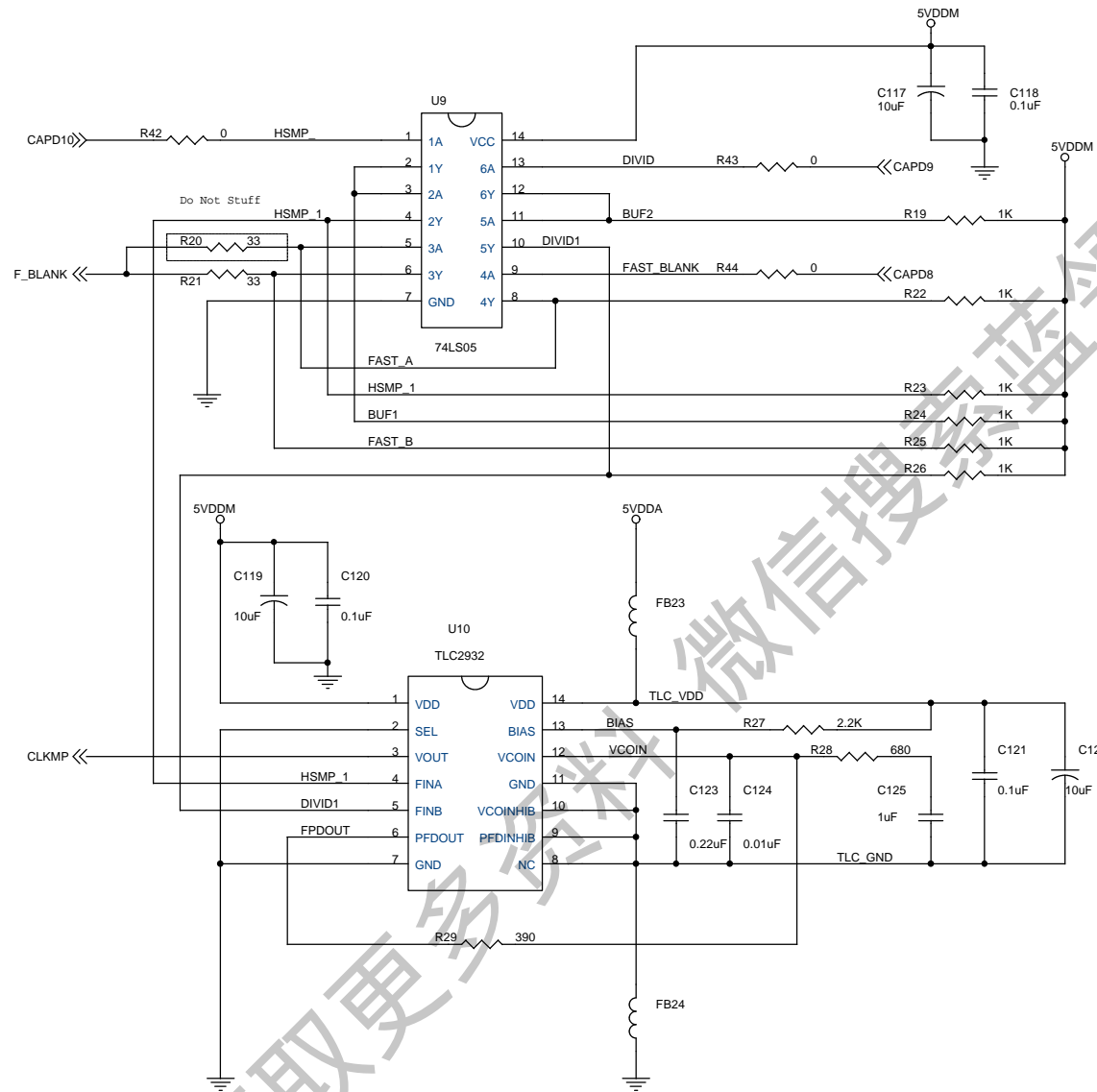


MDI[0..63] >> MDI0..631
 CS0# >> CS0#
 DQM[0..7] >> DQM0..71



SDRAM DECOUPLING CAPACITORS

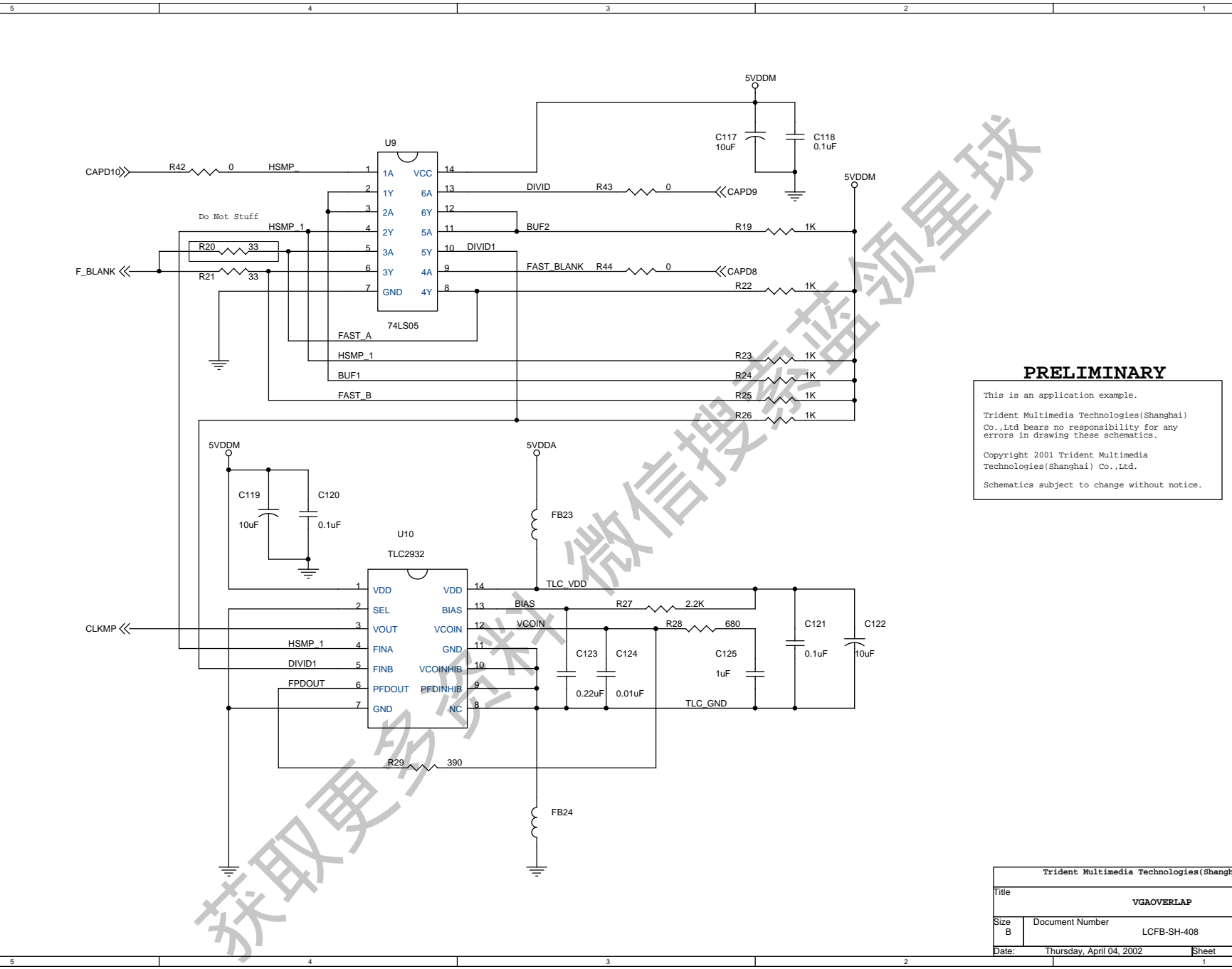
Trident Multimedia Technologies (Shanghai) Co.,Ltd		
Title SDRAM 1MX16X4		
Size B	Document Number LCFB-SH-408	Rev B
Date: Thursday, April 04, 2002	Sheet 2	of 4

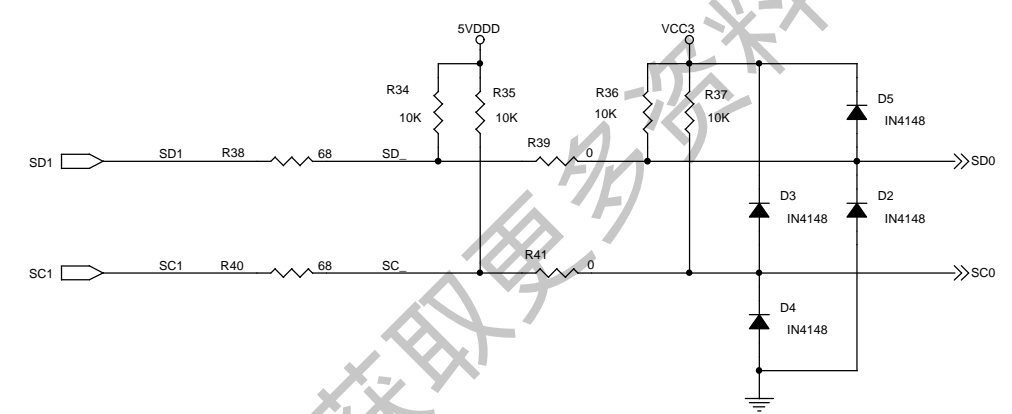
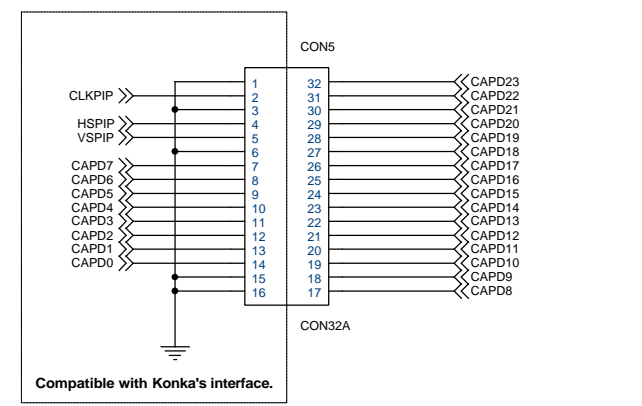
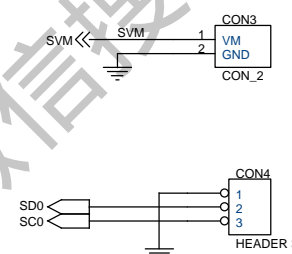
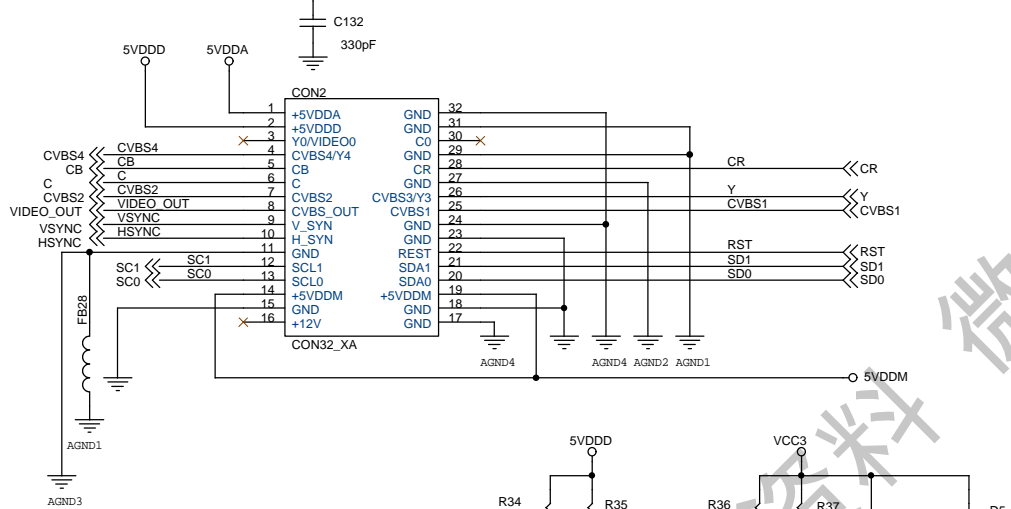
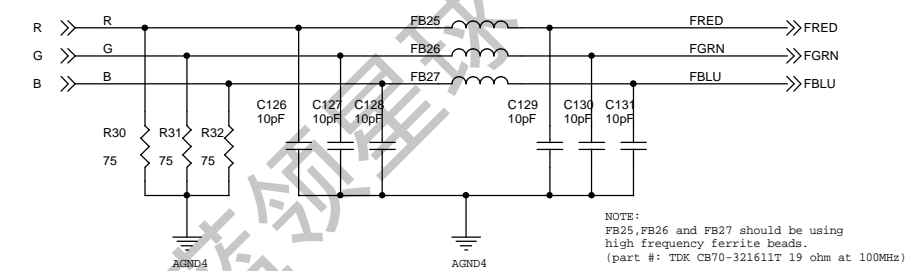
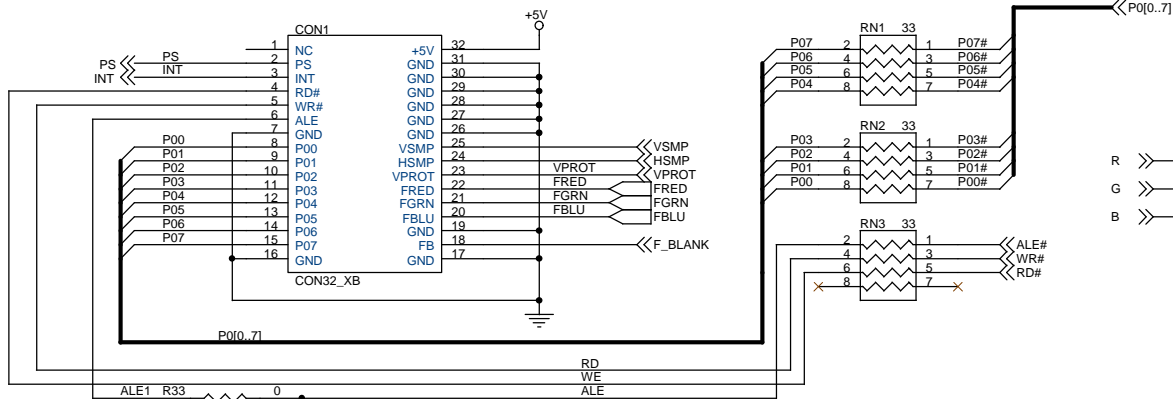


PRELIMINARY

This is an application example.
 Trident Multimedia Technologies(Shanghai) Co.,Ltd bears no responsibility for any errors in drawing these schematics.
 Copyright 2001 Trident Multimedia Technologies(Shanghai) Co.,Ltd.
 Schematics subject to change without notice.

Trident Multimedia Technologies(Shanghai) Co.,Ltd.		
Title VGAOVERLAP		
Size B	Document Number LCFB-SH-408	Rev B
Date: Thursday, April 04, 2002	Sheet 3	of 4





PRELIMINARY

This is an application example. Trident Microsystems, Inc. bears no responsibility for any errors in drawing these schematics. Copyright 1999 Trident Microsystems, Inc. Schematics subject to change without notice.

Trident Multimedia Technologies(Shanghai) Co.,Ltd		
Title: INTERFACE		
Size B	Document Number: LCFB-SH-408	Rev B
Date: Thursday, April 04, 2002	Sheet 4 of 4	