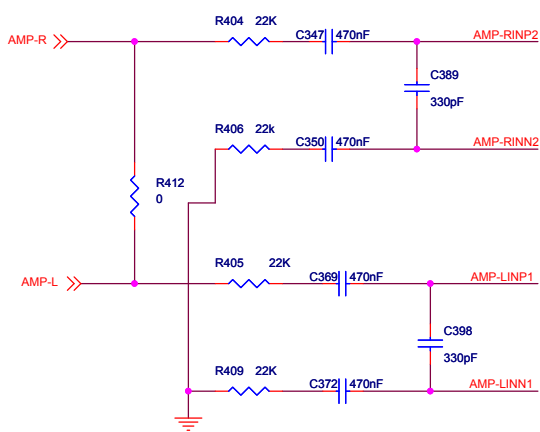
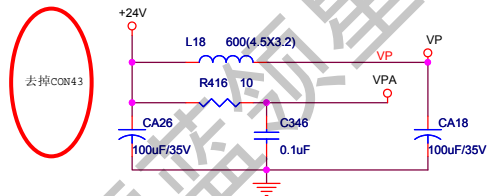


获取更多资料

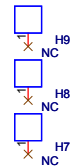
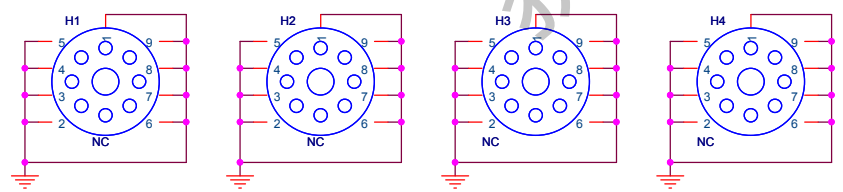
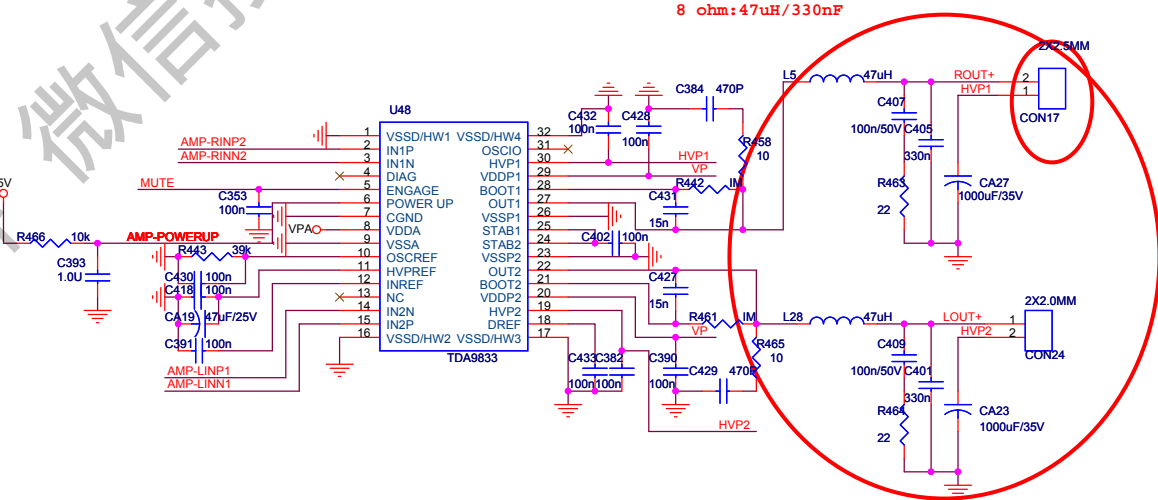
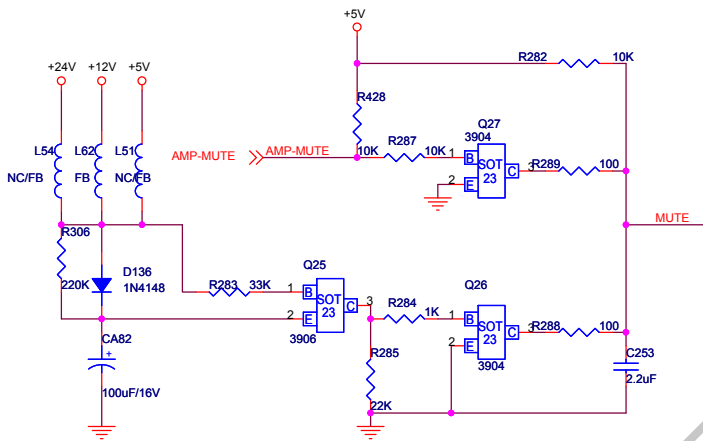
<b>skyworth</b>		
Title SYS POWER		
Size B	Document Number 8M20	Rev 00.00
Date: Friday, June 12, 2009	Sheet 1	of 9



C347&C350  
4 ohm:1000nF  
8 ohm:470nF

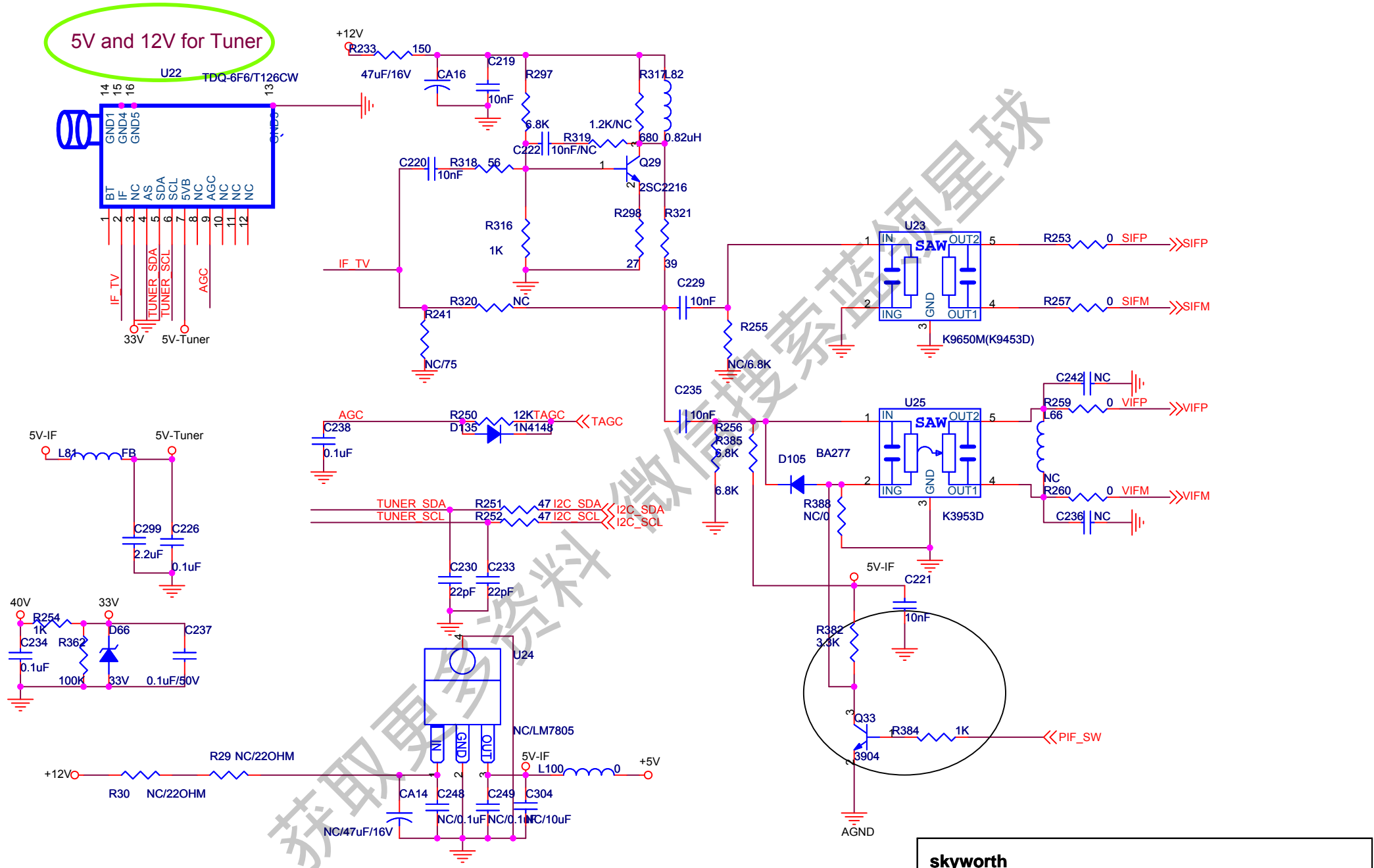


L5/C405 & L28/C401  
4 ohm: 22uH/680nF  
8 ohm: 47uH/330nF



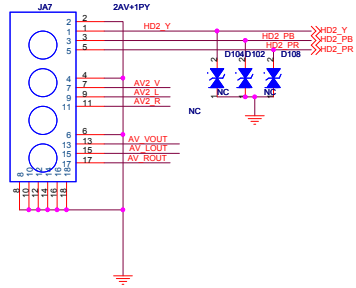
<b>skyworth</b>			
Title: SYS POWER			
Size: A3	Document Number: 8M20	Rev: 00.00	
Date: Friday, June 12, 2009	Sheet: 1	of 9	

5V and 12V for Tuner

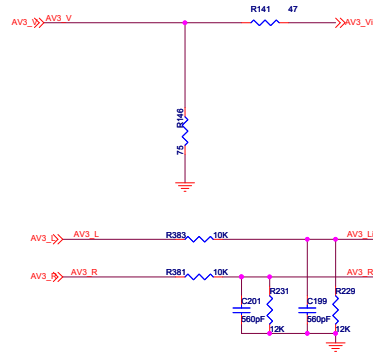


<b>skyworth</b>		
Title		
SYS POWER		
Size	Document Number	Rev
A4	8M20	00.00
Date:	Friday, June 12, 2009	Sheet 1 of 9

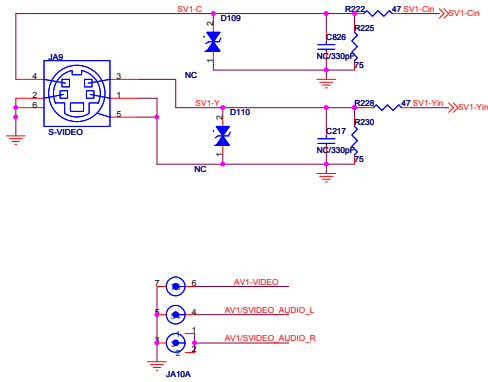
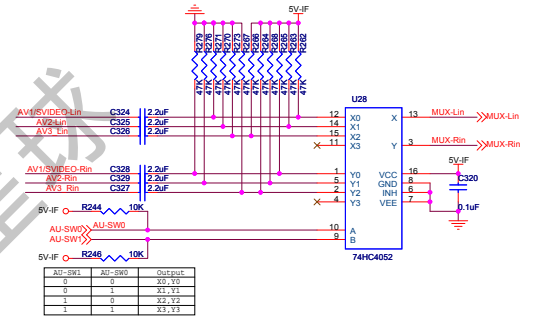
### VIDEO INTERFACE



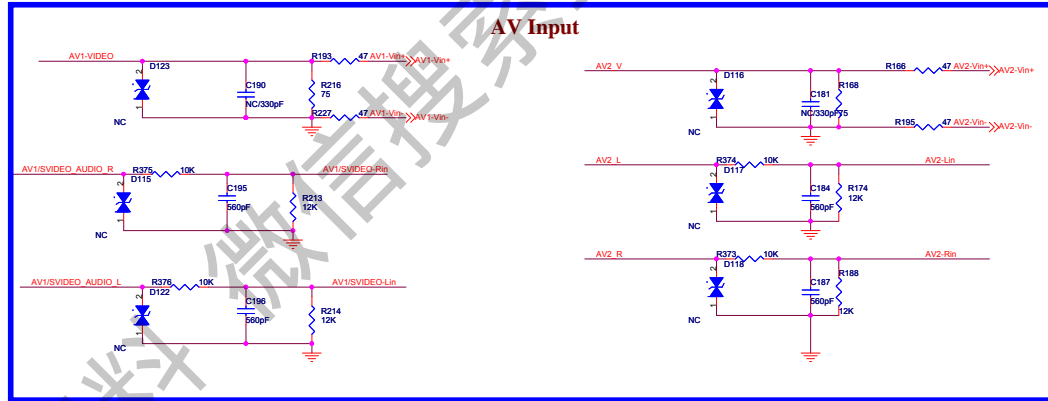
### AV3



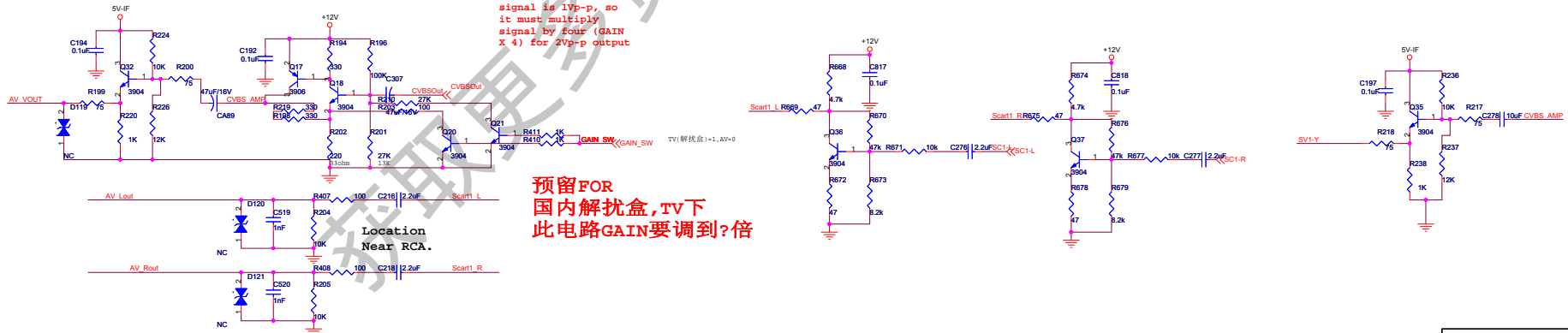
### AUDIO SELECT



### AV Input



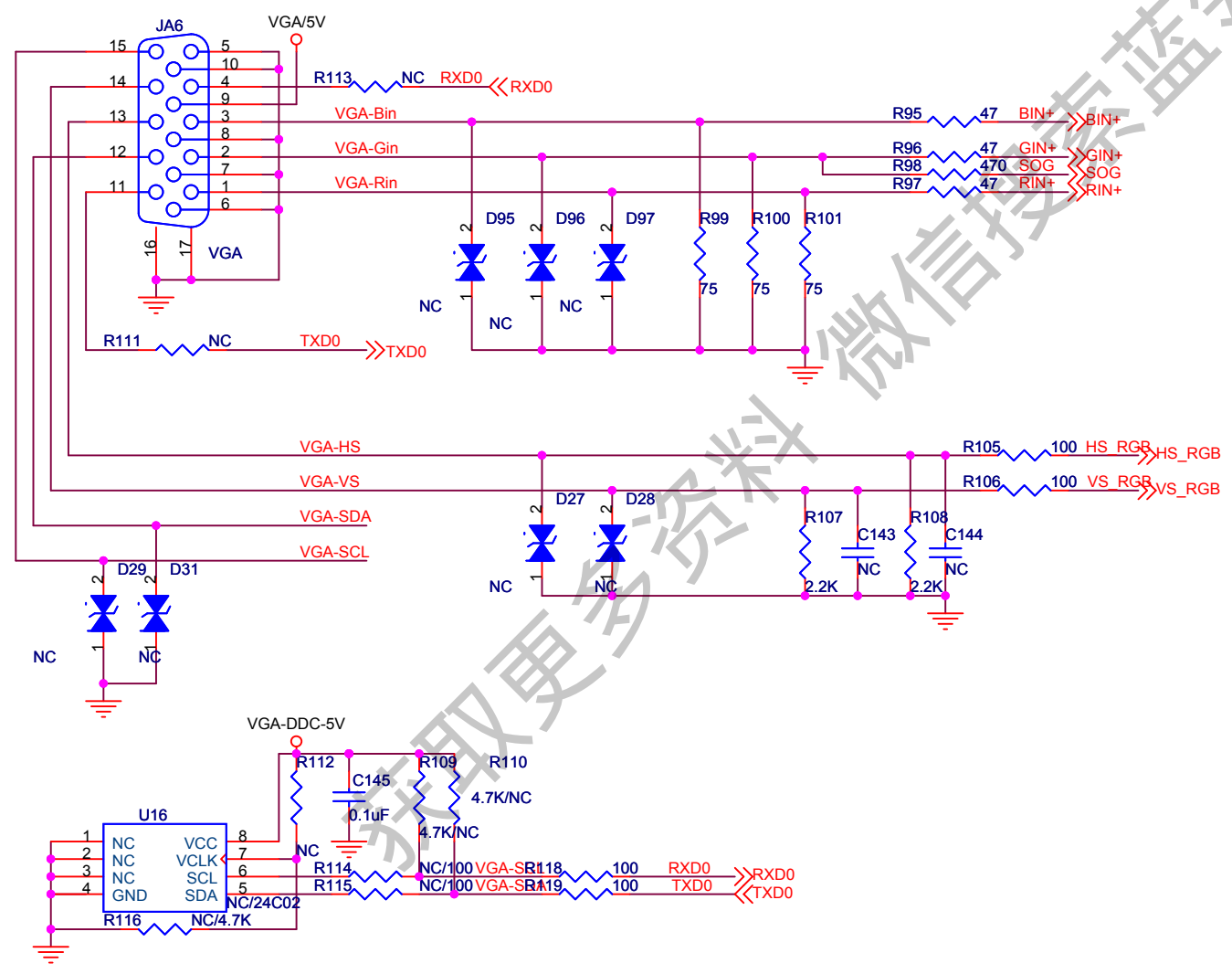
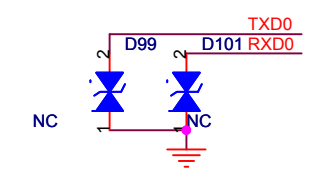
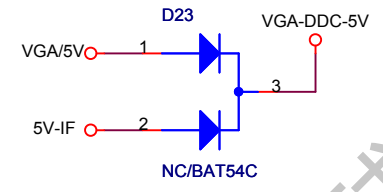
### AVOUTput



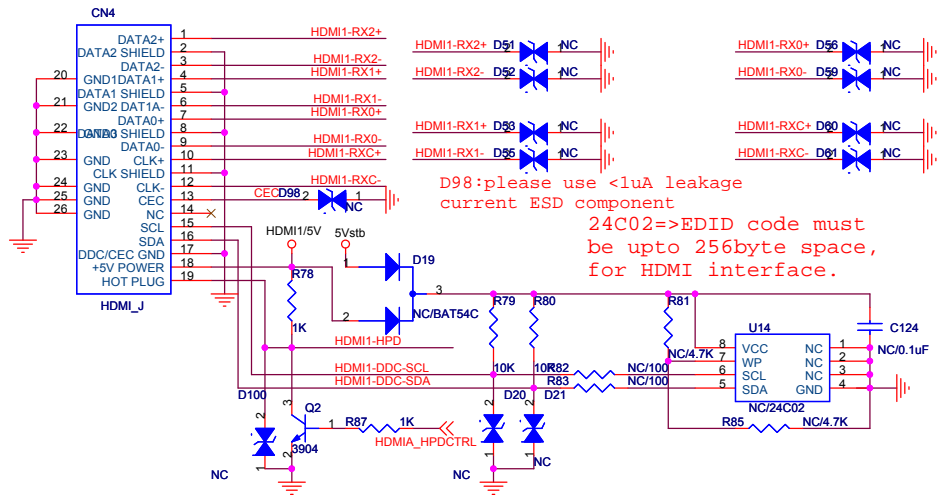
Note: The IC's CVBSOUT level is 0.5Vp-p when input signal is 1Vp-p, so it must multiply signal by four (GAIN X 4) for 2Vp-p output

预留FOR国内解扰盒, TV下此电路GAIN要调到?倍

Location Near RCA.



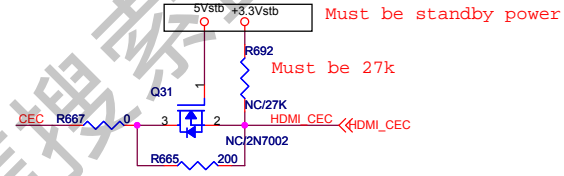
<b>skyworth</b>		
Title SYS POWER		
Size A4	Document Number 8M20	Rev 00.00
Date: Friday, June 12, 2009	Sheet 1 of 9	



D98: please use <1uA leakage current ESD component  
24C02=>EDID code must be upto 256byte space, for HDMI interface.

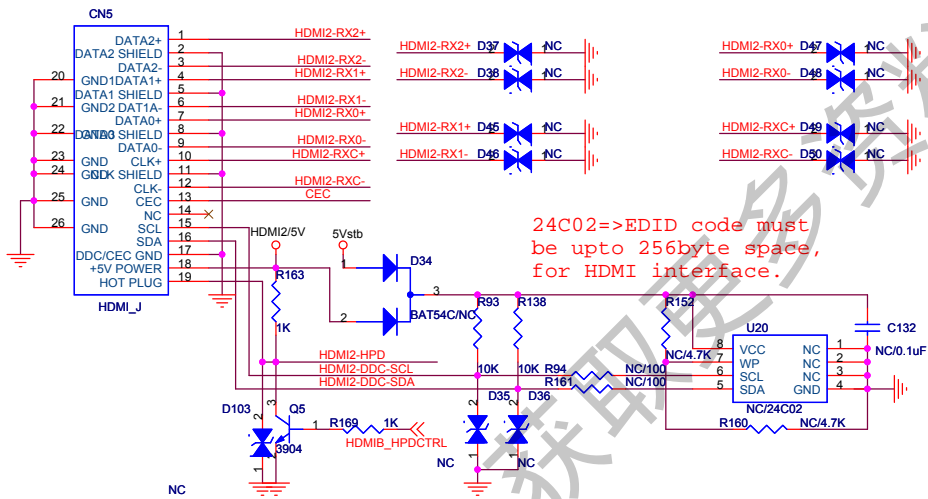
HDMI1-RX2+	R88	10	HDMI1-RX2+	HDMI1-RX2+
HDMI1-RX2-	R89	10	HDMI1-RX2-	HDMI1-RX2-
HDMI1-RX1+	R90	10	HDMI1-RX1+	HDMI1-RX1+
HDMI1-RX1-	R91	10	HDMI1-RX1-	HDMI1-RX1-
HDMI1-RX0+	R92	10	HDMI1-RX0+	HDMI1-RX0+
HDMI1-RX0-	R137	10	HDMI1-RX0-	HDMI1-RX0-
HDMI1-RXC+	R155	10	HDMI1-RXC+	HDMI1-RXC+
HDMI1-RXC-	R156	10	HDMI1-RXC-	HDMI1-RXC-
HDMI1-DDC-SCL	R84	100	HDMI1-DDC-SCL	HDMI1-DDC-SCL
HDMI1-DDC-SDA	R157	100	HDMI1-DDC-SDA	HDMI1-DDC-SDA

**For CEC Leakage Protect**



Must be standby power

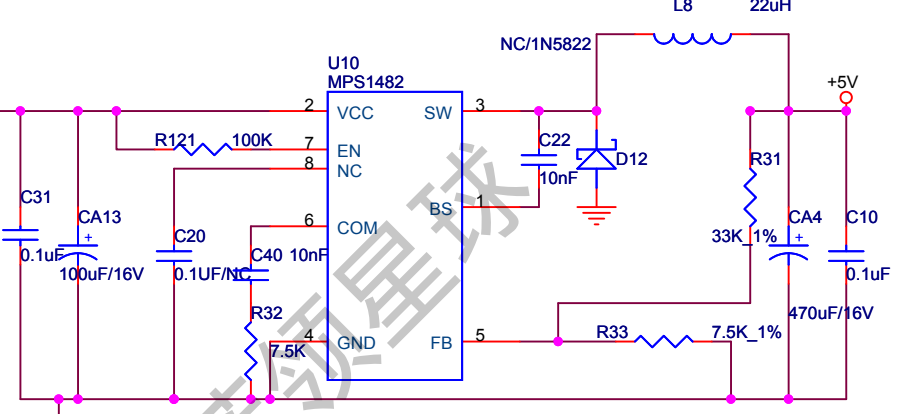
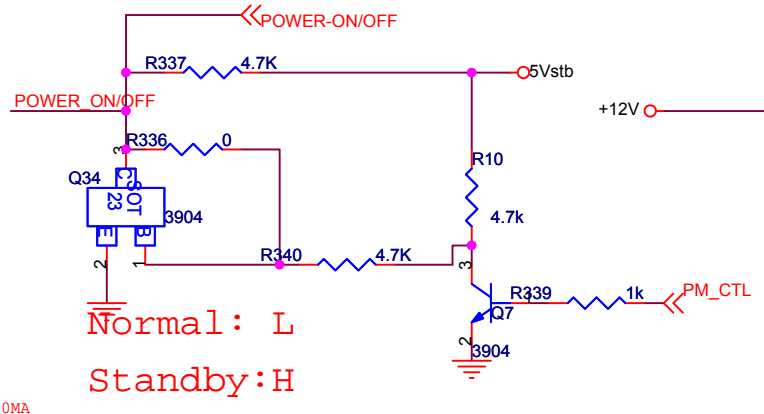
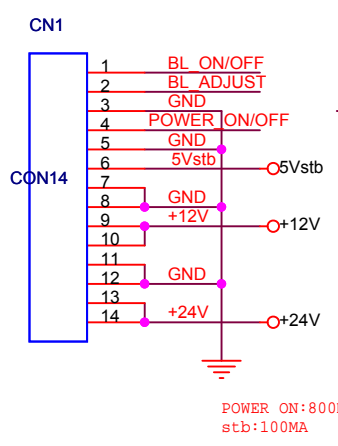
Must be 27k



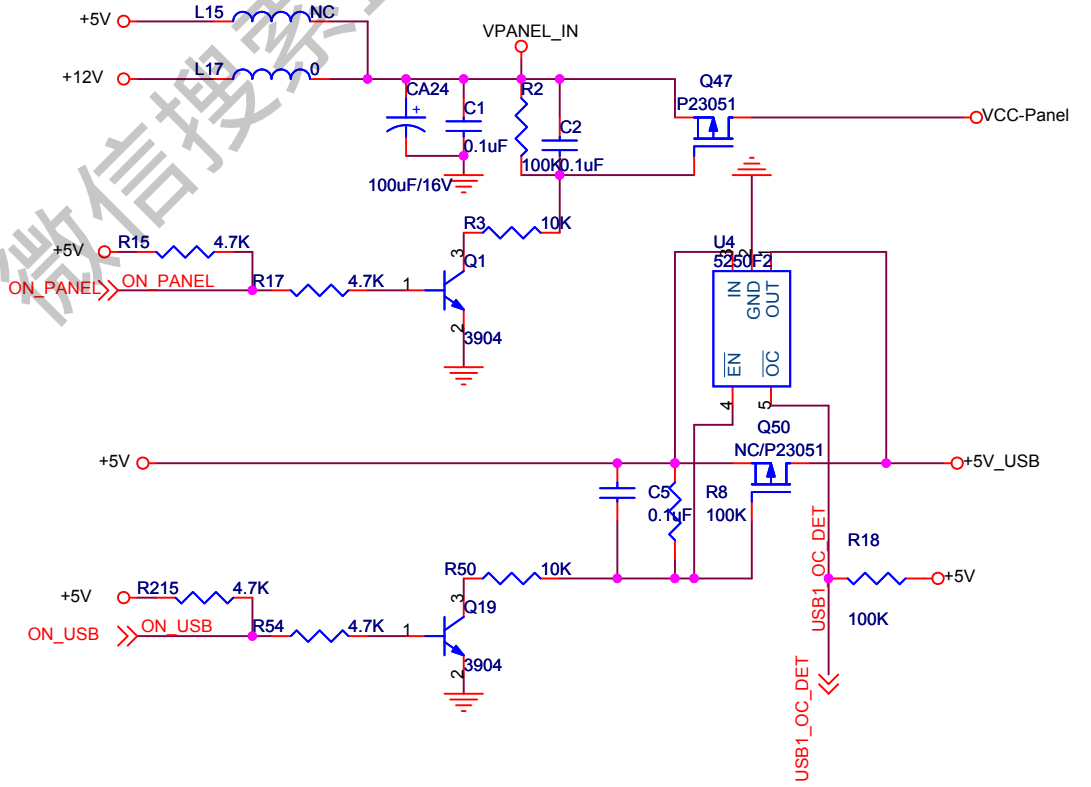
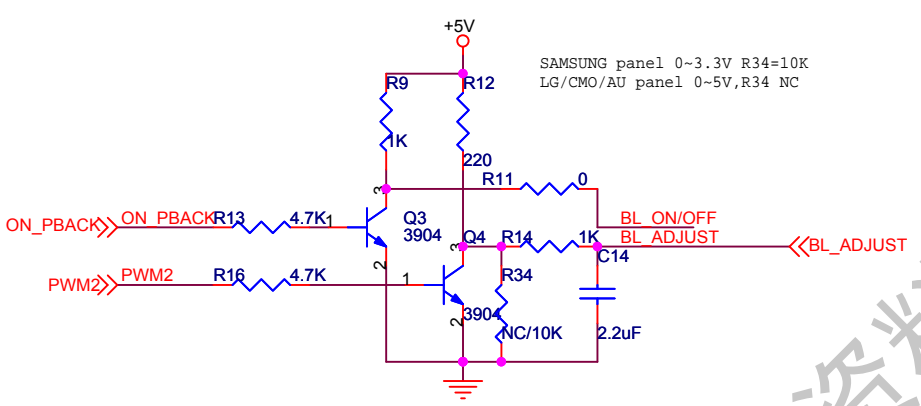
24C02=>EDID code must be upto 256byte space, for HDMI interface.

HDMI2-RX2+	R182	10	HDMI2-RX2+	HDMI2-RX2+
HDMI2-RX2-	R183	10	HDMI2-RX2-	HDMI2-RX2-
HDMI2-RX1+	R184	10	HDMI2-RX1+	HDMI2-RX1+
HDMI2-RX1-	R185	10	HDMI2-RX1-	HDMI2-RX1-
HDMI2-RX0+	R186	10	HDMI2-RX0+	HDMI2-RX0+
HDMI2-RX0-	R187	10	HDMI2-RX0-	HDMI2-RX0-
HDMI2-RXC+	R173	10	HDMI2-RXC+	HDMI2-RXC+
HDMI2-RXC-	R174	10	HDMI2-RXC-	HDMI2-RXC-
HDMI2-DDC-SCL	R175	100	HDMI2-DDC-SCL	HDMI2-DDC-SCL
HDMI2-DDC-SDA	R181	100	HDMI2-DDC-SDA	HDMI2-DDC-SDA

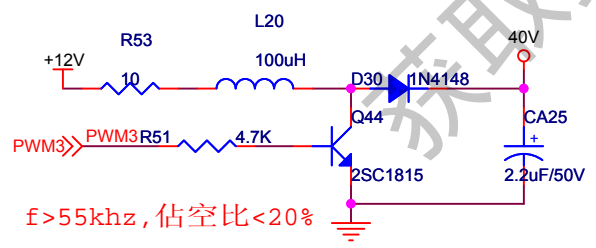




$0.92 * (1 + R_{up}/R_{down}) = 5V$  ---  $R_{up} = 33K$ ,  $R_{down} = 7.5K$



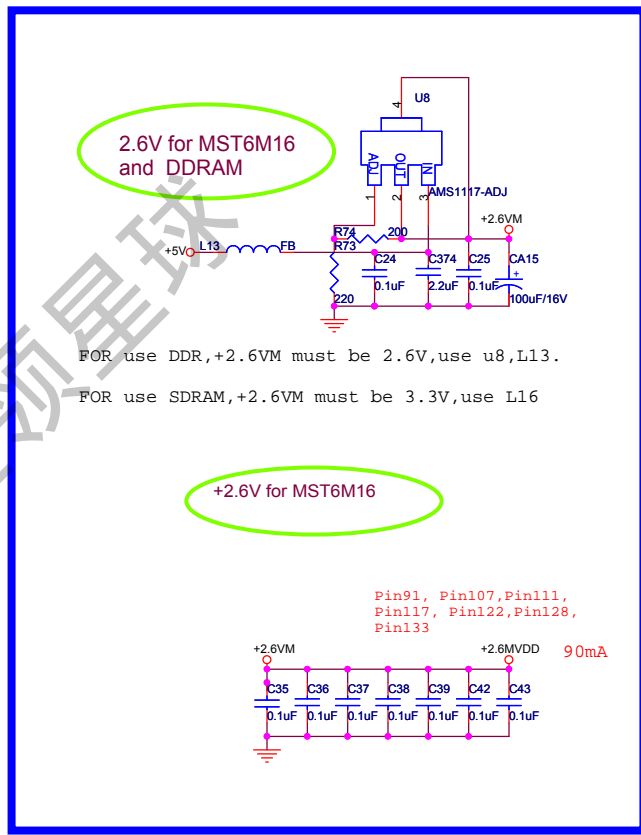
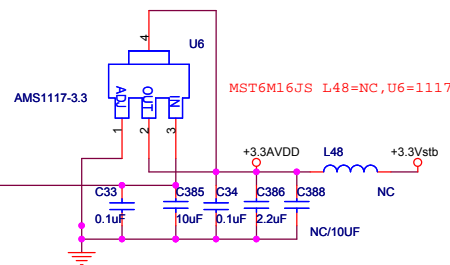
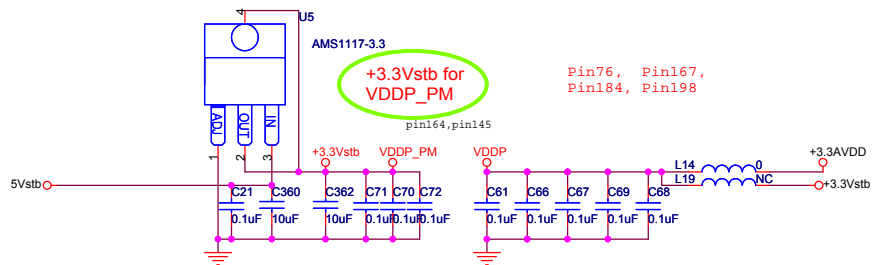
WARNING !!!



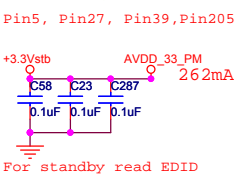
WARNING !!!

<b>skyworth</b>		
Title SYS POWER		
Size A4	Document Number 8M20	Rev 00.00
Date: Friday, June 12, 2009	Sheet 1	of 9

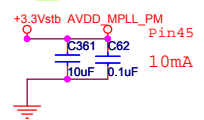




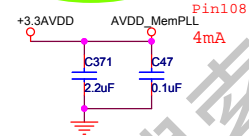
**+3.3Vstb for AVDD\_33**



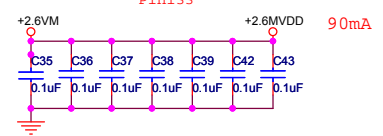
**+3.3Vstb for VDD\_MPLL**



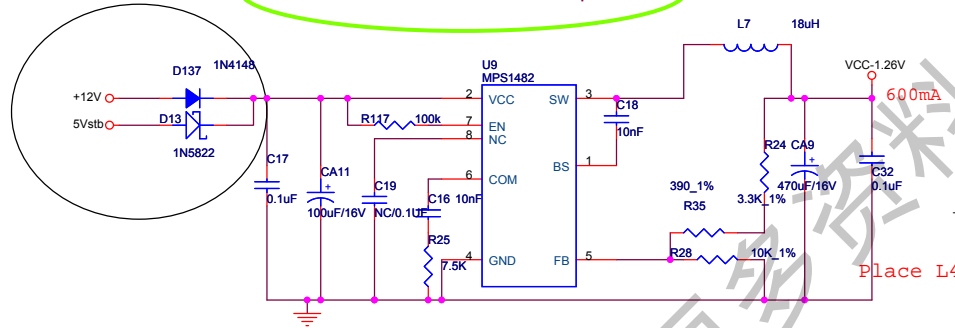
**+3.3AVDD for AVDD\_MemPLL**



**+2.6V for MST6M16**

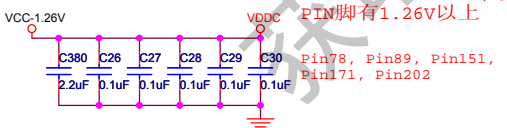


**Vcc 1.26V for MST6M16 Core power**



$0.92 \cdot (1 + R_{up}/R_{down}) = 1.26V$  ---  $R_{up} = 3.7K$ ,  $R_{down} = 10K$

1.32V > VDDC > 1.26V, 最好在IC PIN脚有1.26V以上



注意: L7电流要大, 直流电阻要小, 保证VDDC到MST6M19GL的电压在1.26V

Place L49 as close as possible to IC PIN

Place L50 as close as possible to IC PIN

skyworth			
Title	SYS POWER		
Size A3	Document Number 8M20	Rev 00.00	
Date: Friday, June 12, 2009	Sheet 1	of 9	