

RESPONSE

1	5V
2	SIRCS
3	GND
4	A-34

TO K BOARD K-2

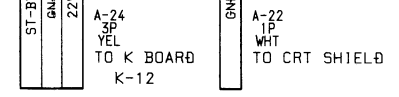
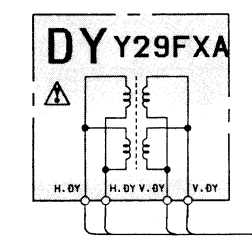
7	GND
6	MUTE
5	TV/VIDEO
4	SCL
3	SDA
2	VIDEO 1/2
1	VOL

TO F BOARD F-4

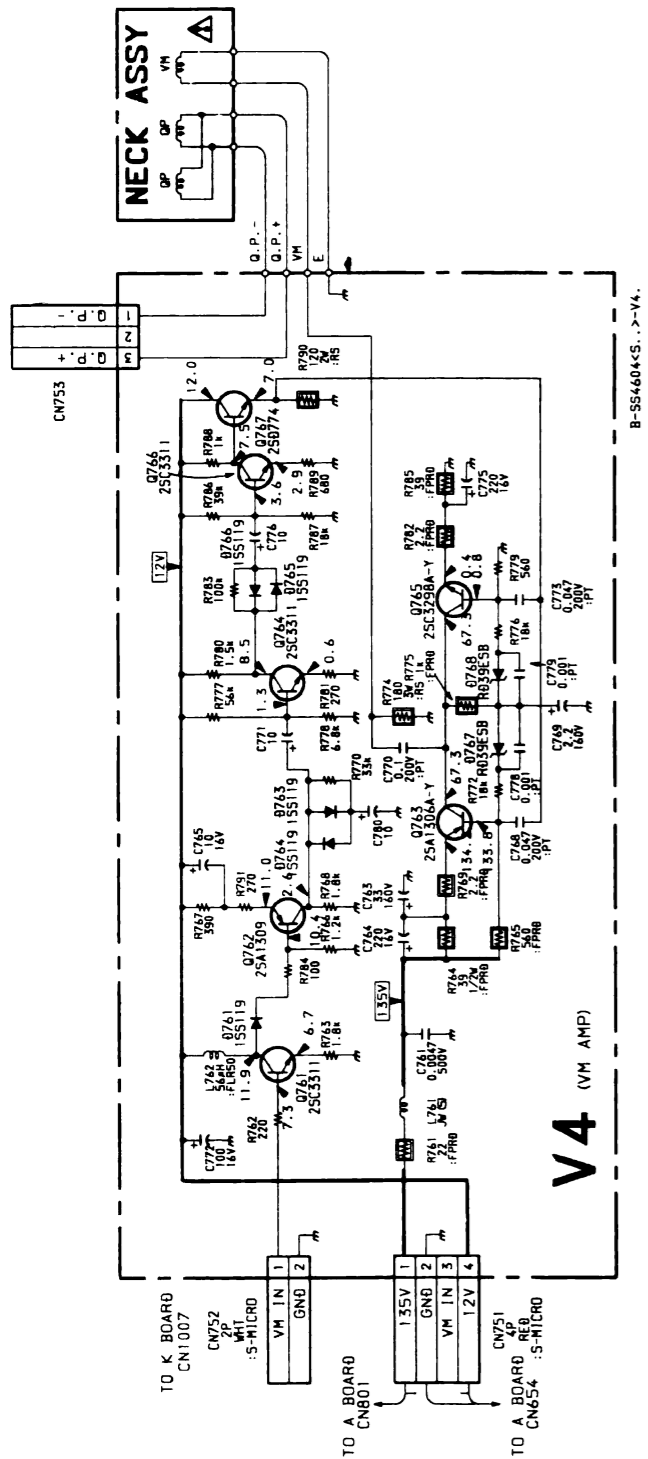
1	+DC
2	NC
3	GND
4	GND

TO C BOARD C-2

6	H2
5	H1
4	NC
3	GND
2	200V
1	1000V

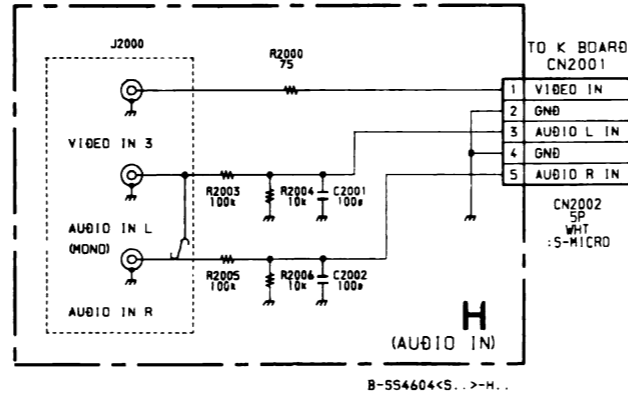






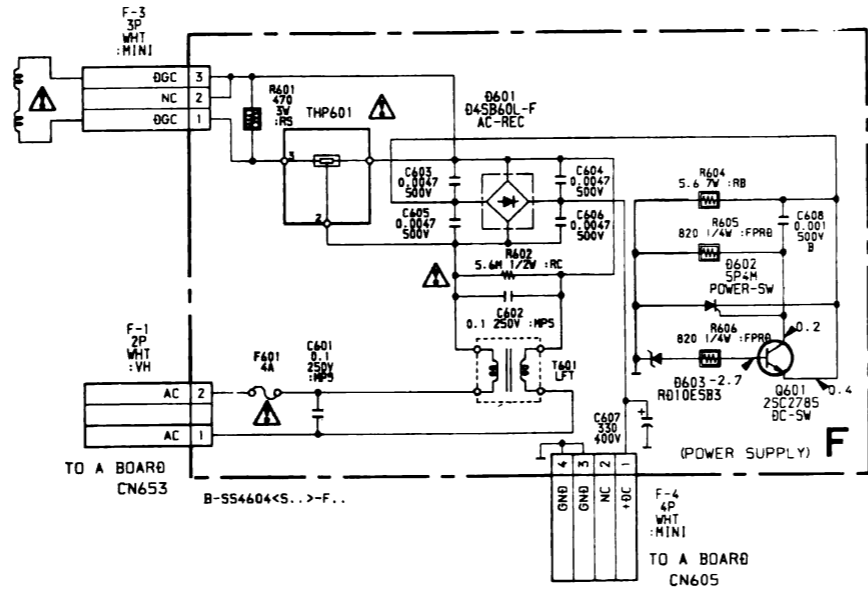
B-554604<S...>-V4.

V4 (VM AMP)



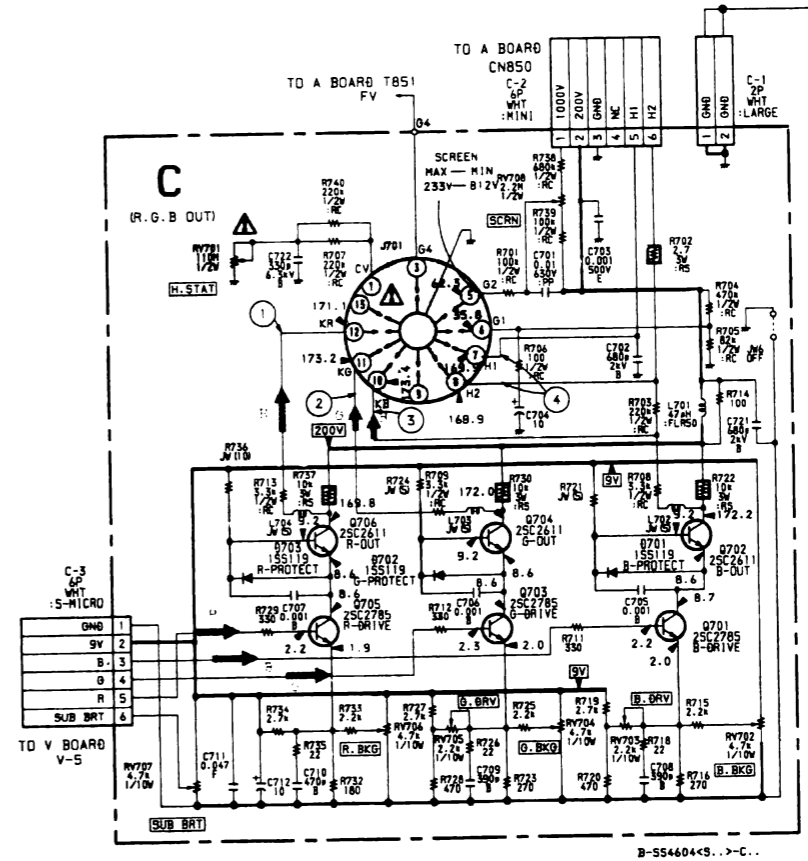
H (AUDIO IN)

B-554604<S...>-H.

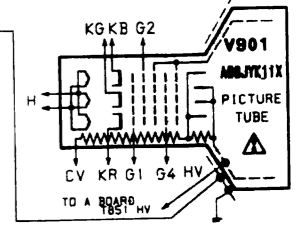


F (POWER SUPPLY)

B-554604<S...>-F.



B-554604<S...>-C.



C BOARD WAVEFORMS

