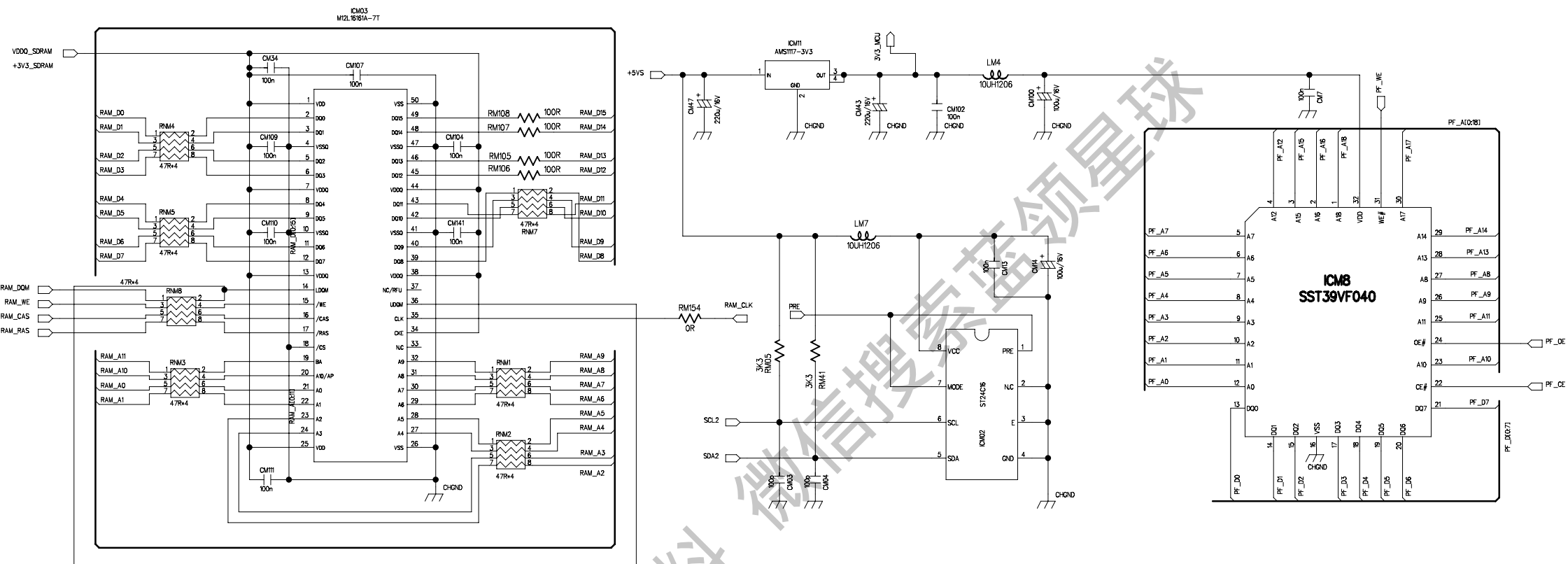


ICM10  
HTV180

VDD Digital core power 1.8V  
350MA

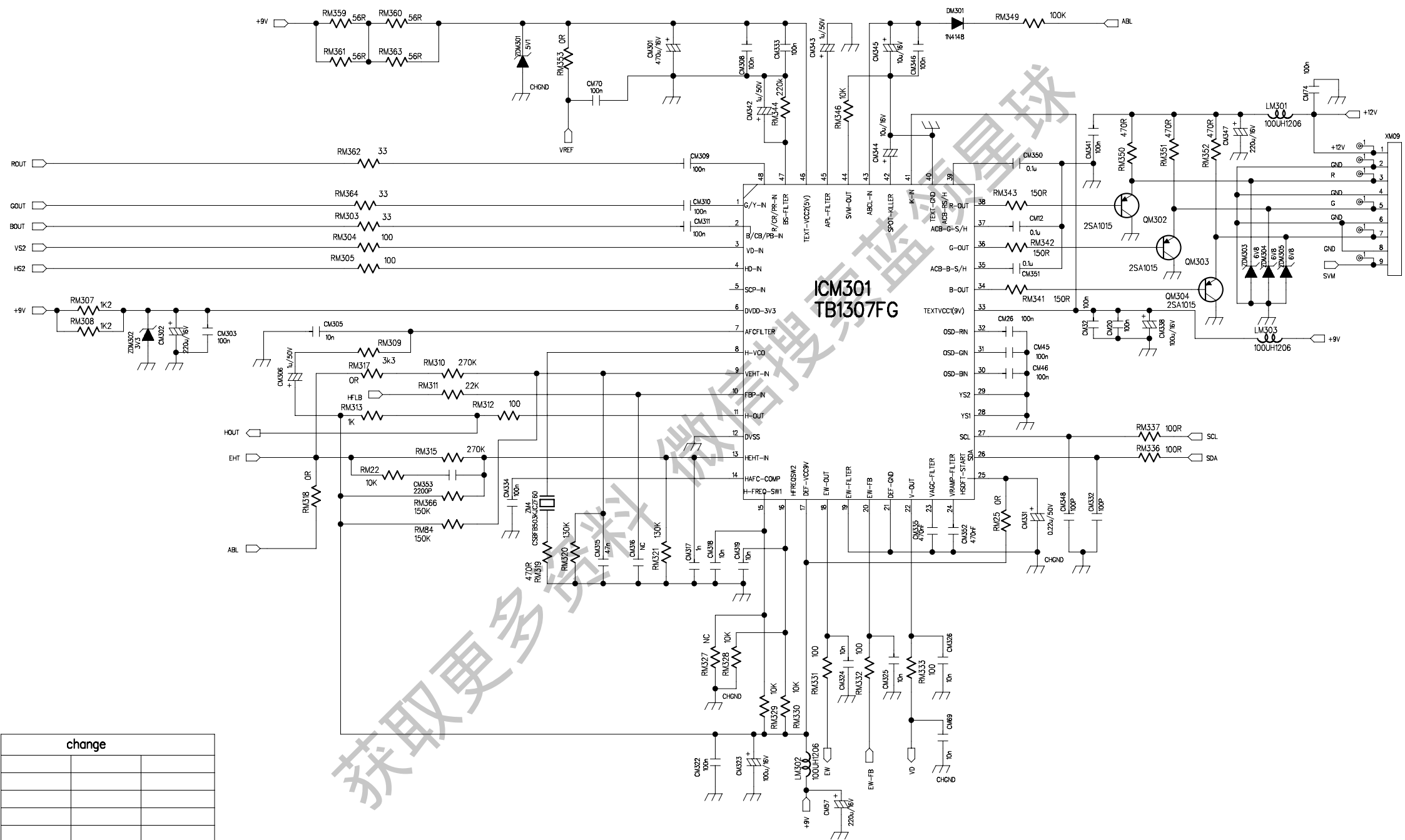
100MA

Micro Search  
更多资料

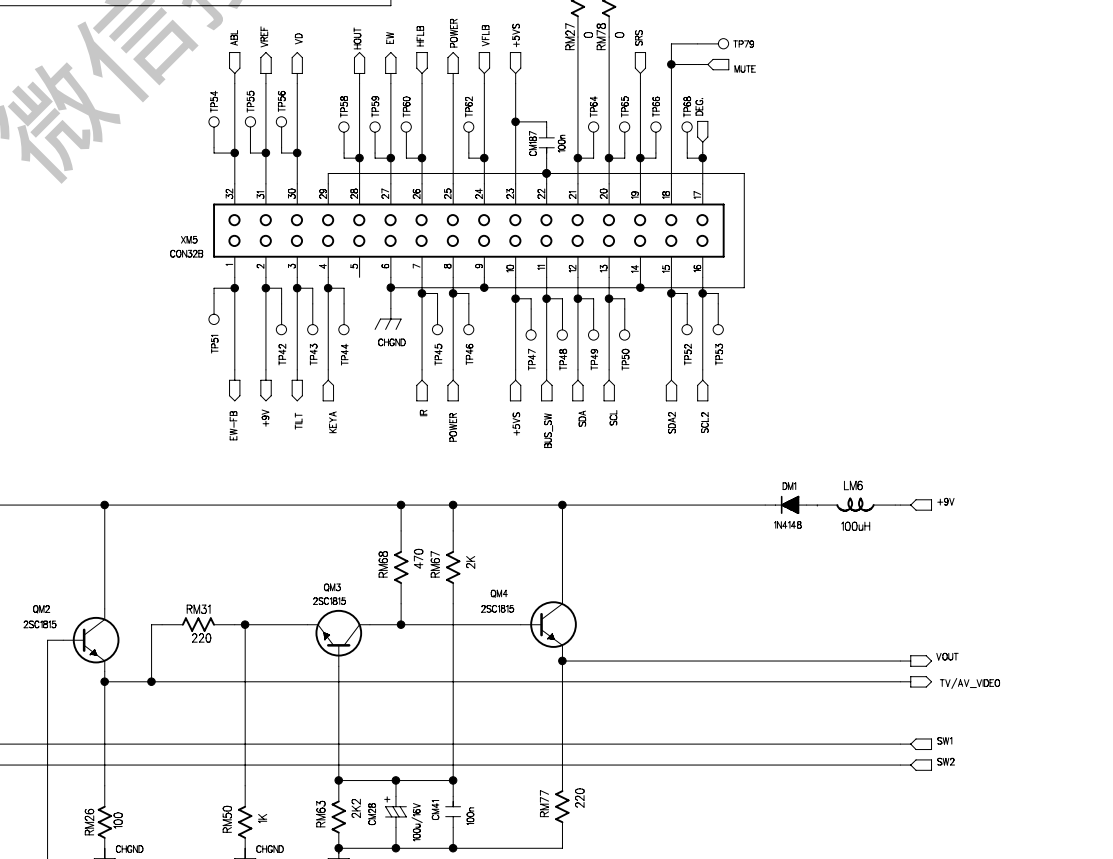
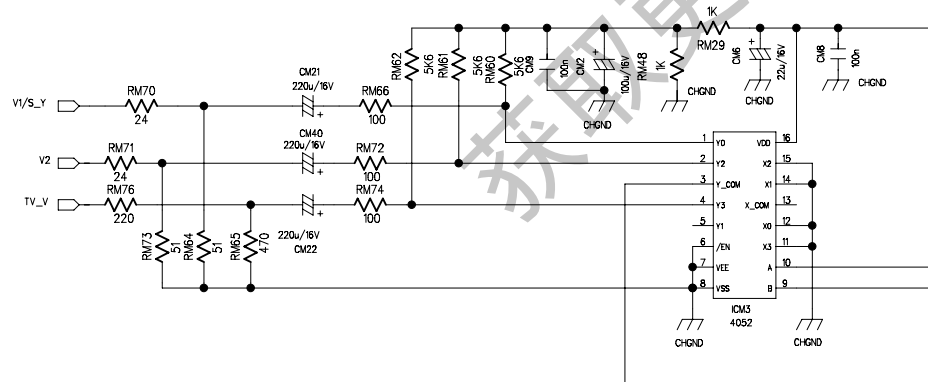
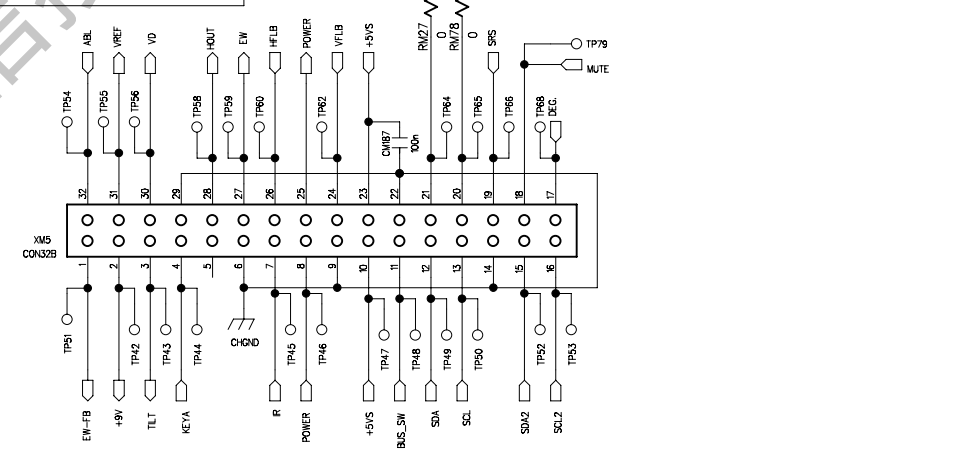
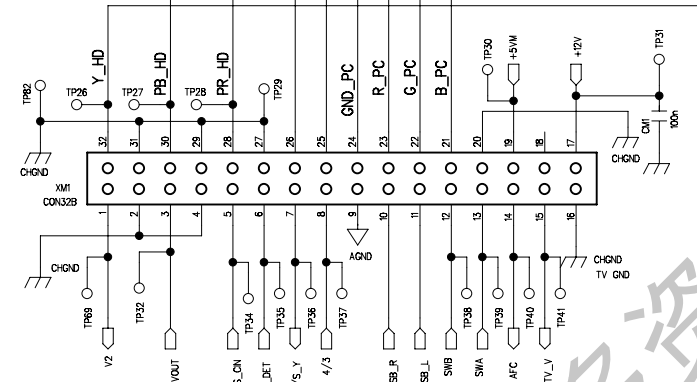
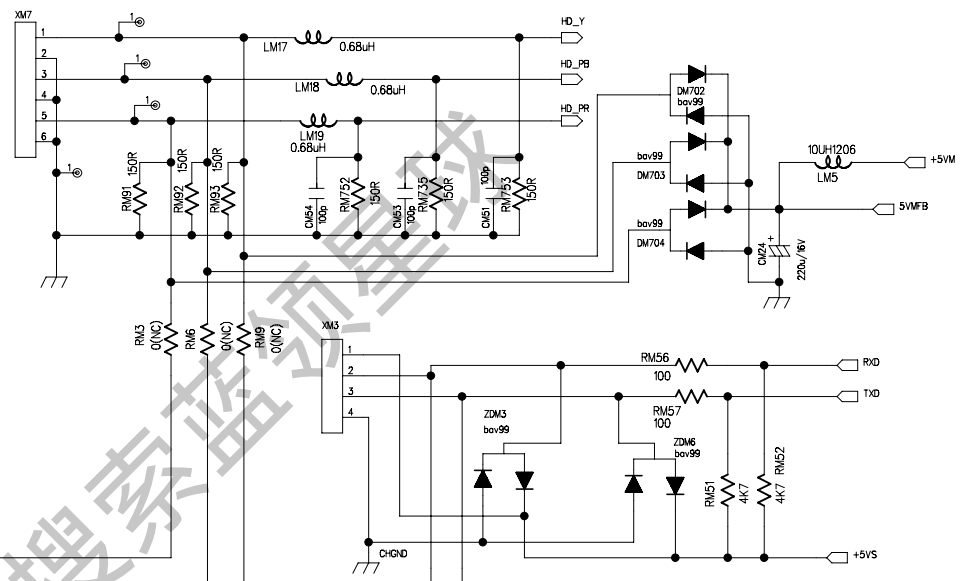
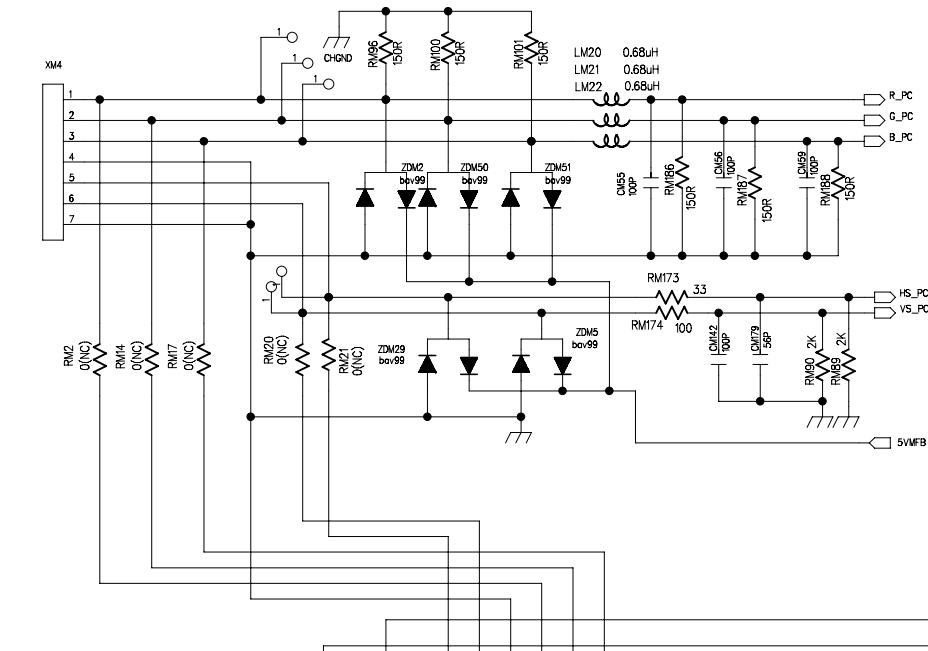


- 1 SR6
- 1 SR5
- 1 SR4
- 1 SR3
- 1 SR2
- 1 SR1
- 1 S25
- 1 S26
- 1 S29
- 1 S28
- 1 S1
- 1 S3
- 1 SR7
- 1 SR8
- 1 SR9
- 1 SR10
- 1 SR11
- 1 SR12
- 1 SR13
- 1 SR14
- 1 SR15
- 1 SR16
- 1 S2
- 1 SR17
- 1 SR21
- 1 S31
- 1 S30
- 1 CMARK13
- 1 CMARK14
- 1 CMARK11
- 1 CMARK12
- 1 CMARK15
- 1 CMARK16
- 1 PCBMARK3
- 1 PCBMARK4
- 1 PCBMARK4
- 1 PCBMARK3
- 1 CMARK1
- 1 CMARK3

获取更多资料



change		



6D90+HDMI  
2004-12-30

U101  
T20-329/16CV

