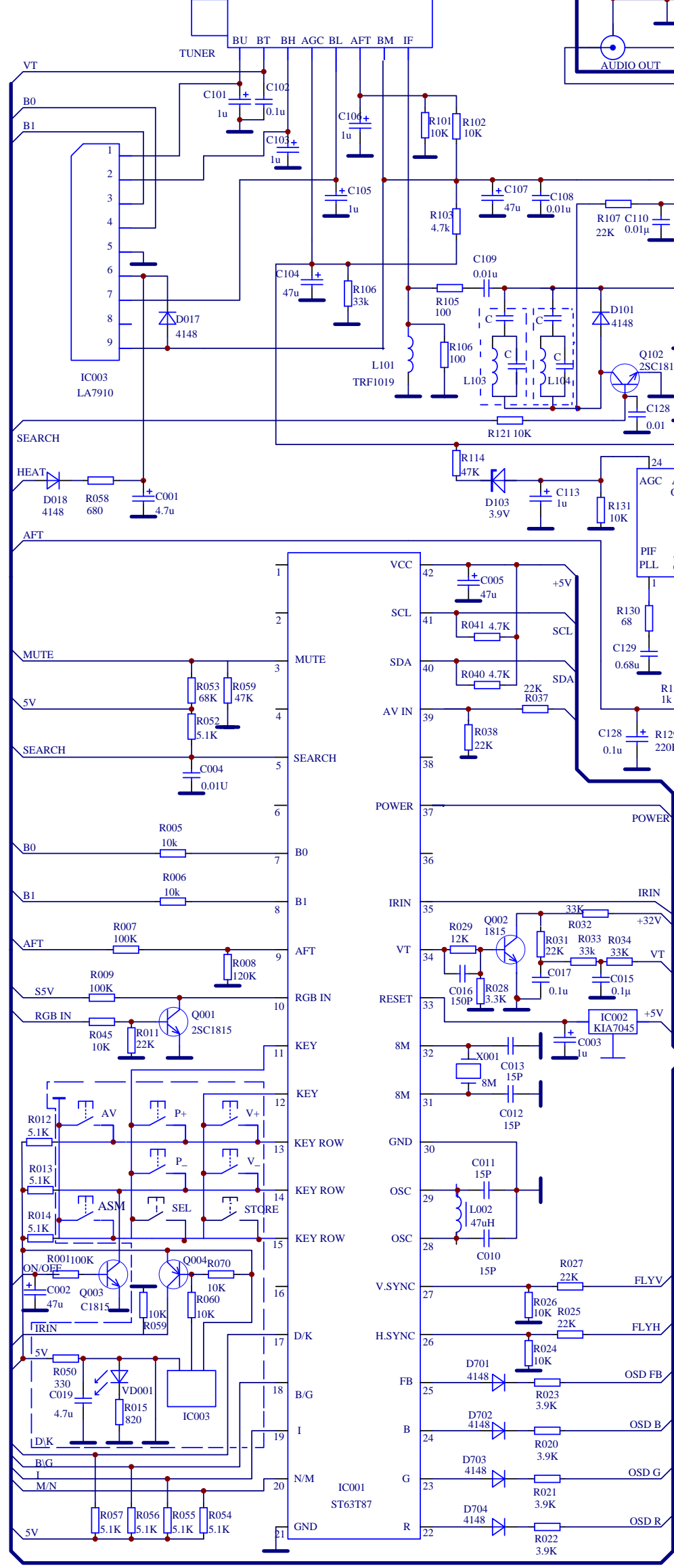


SKYWORTH ELECTRONICS

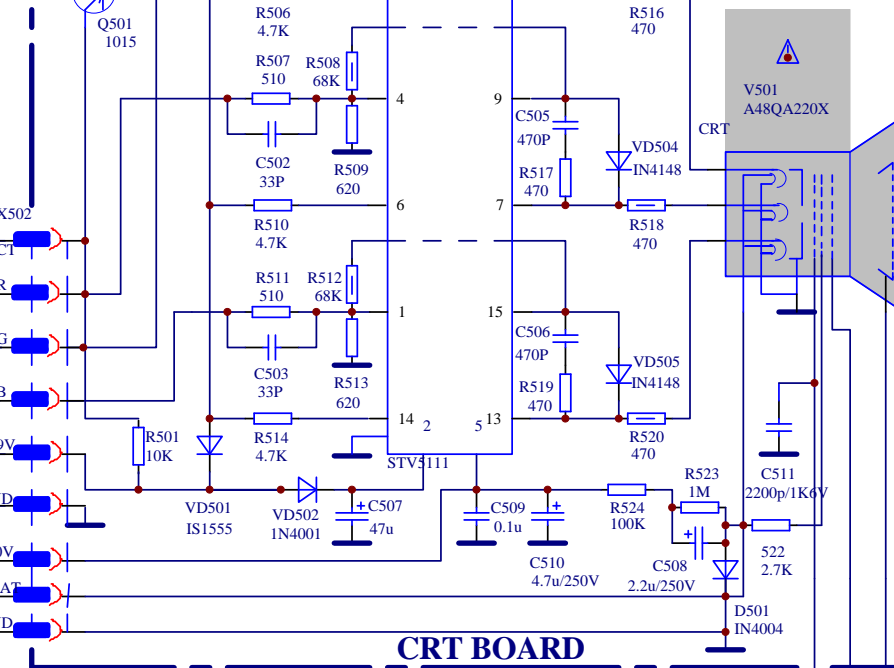
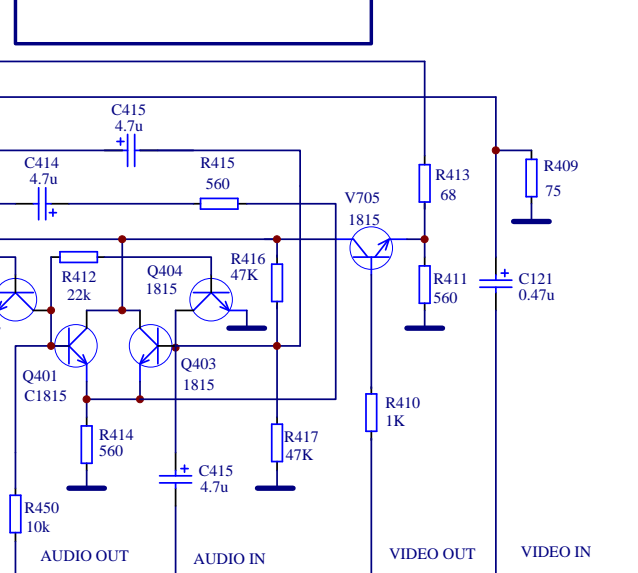
CO. LTD

TITLE:	SCHEMATIC DIAGRAM
BOM NO:	4S30
SYSTEM:	
P/N:	
REV DATE:	9 AUG 1999

MAIN BOARD



TELETEXT



CRT BOARD

