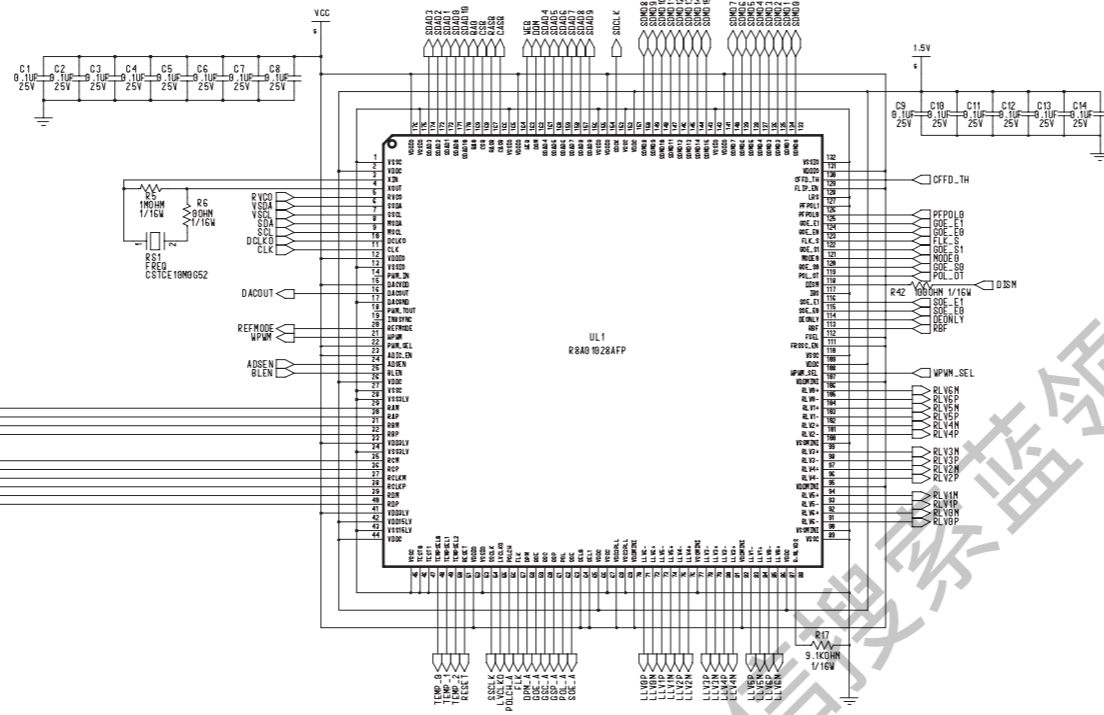
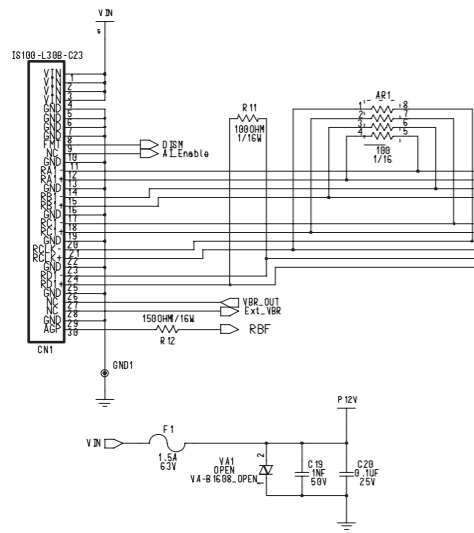


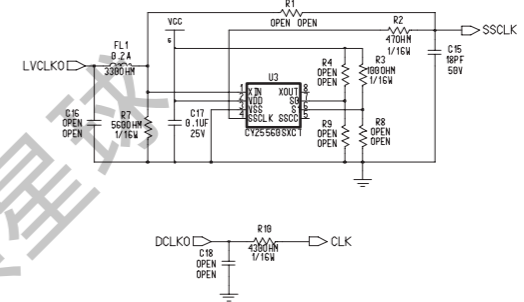
[ T\_CON BLOCK ]



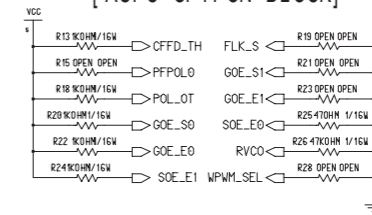
[ USER CONNECTOR ]



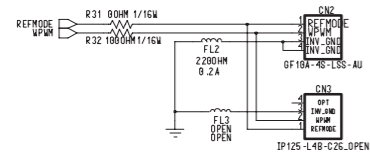
[ SPREAD SPECTRUM ]



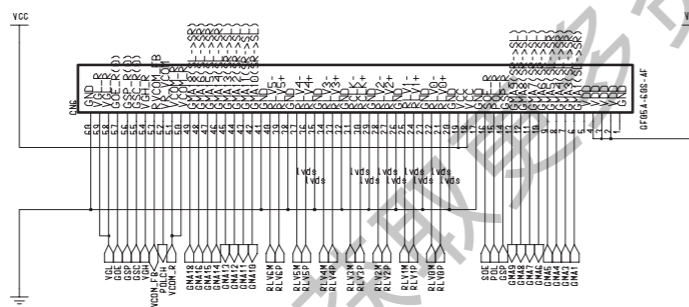
[ ASI C OPTI ON BLOCK ]



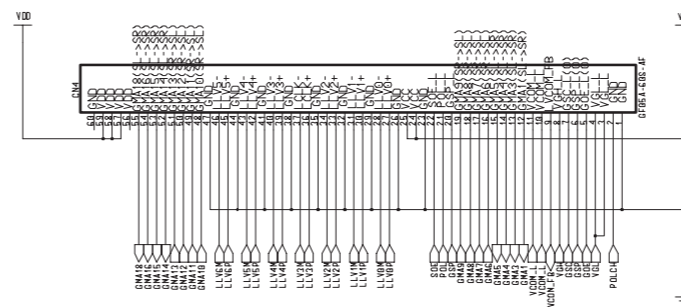
[ WAVY I / F BLOCK-4PI N ]



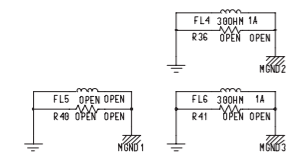
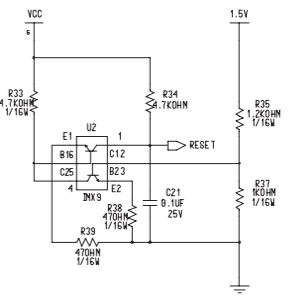
[ CONTROL- SOURCE RI GHT CONNECTOR ]



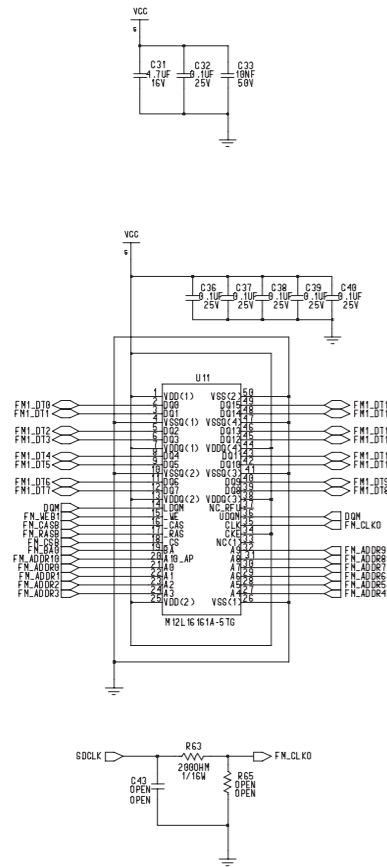
[ CONTROL- SOURCE LEFT CONNECTOR ]



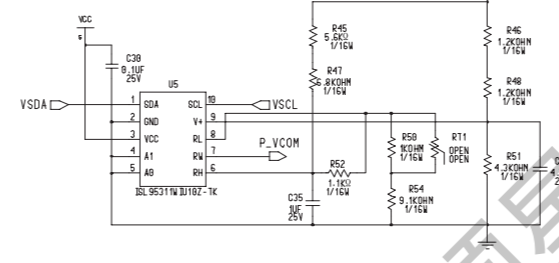
[ RESET BLOCK ]



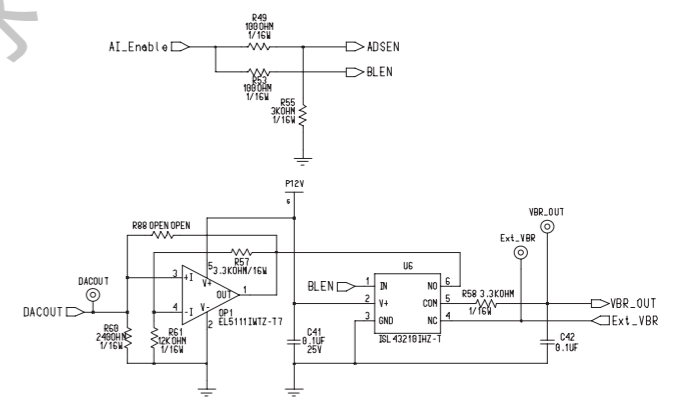
[ SDRAM I / F BLOCK ]



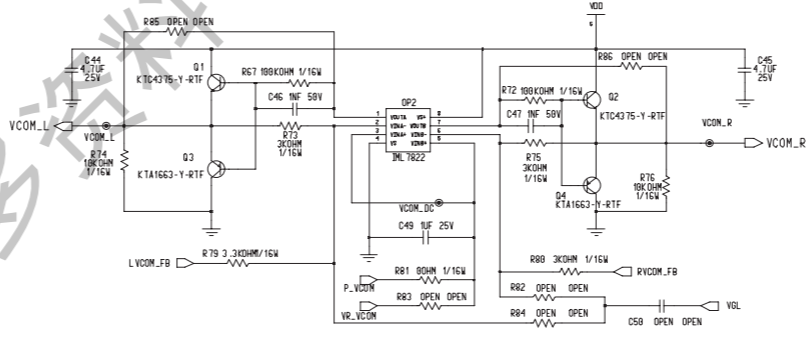
[ P- VCOM BLOCK ]



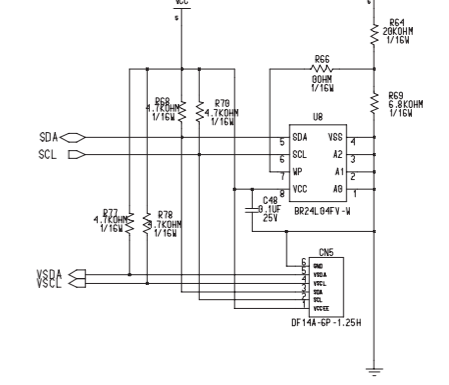
[ AI I / F BLOCK ]



[ VCOM COMPENSATION BLOCK ]

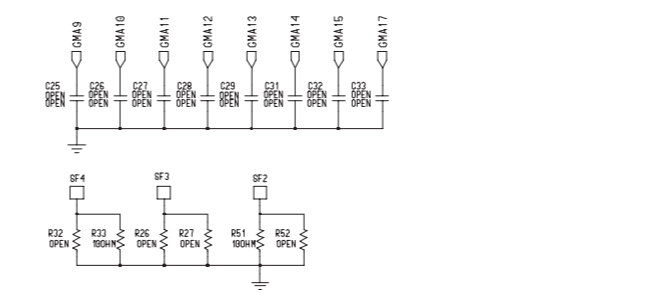
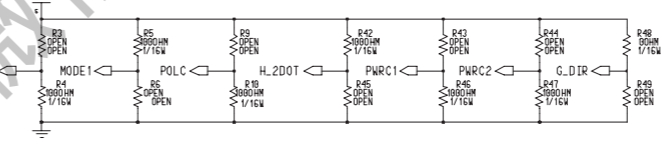
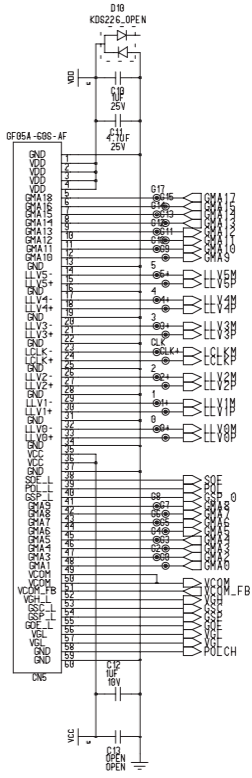
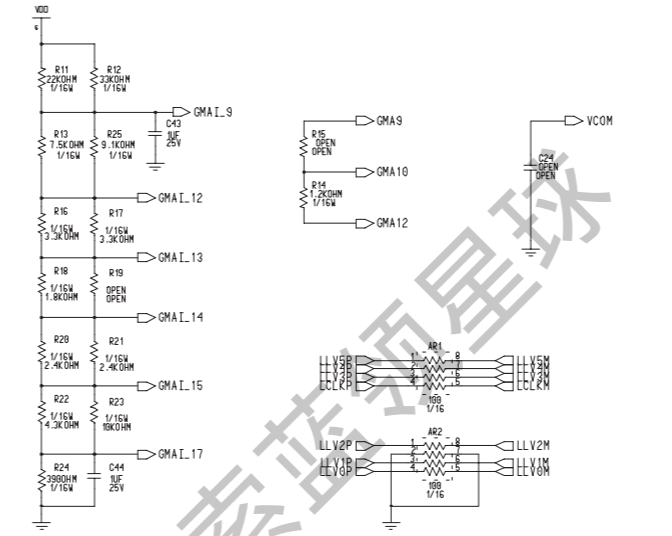
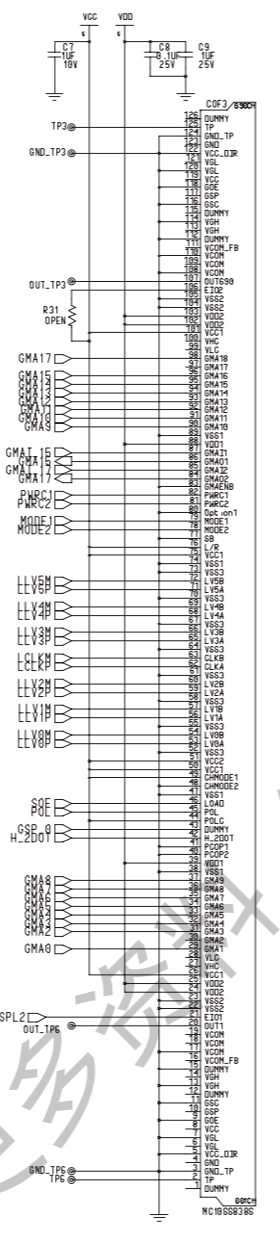
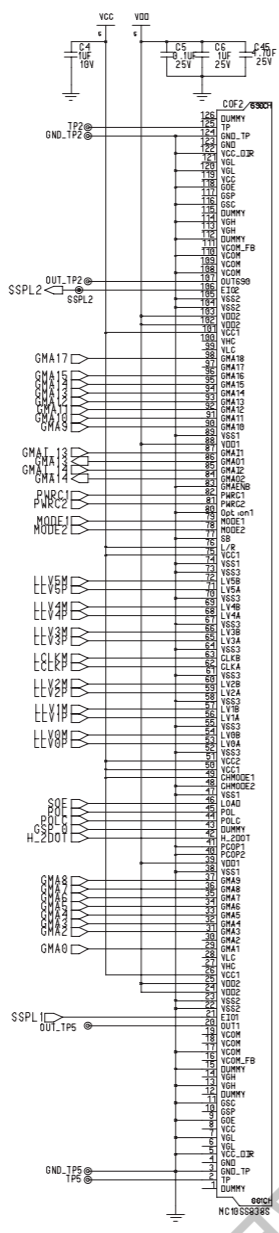
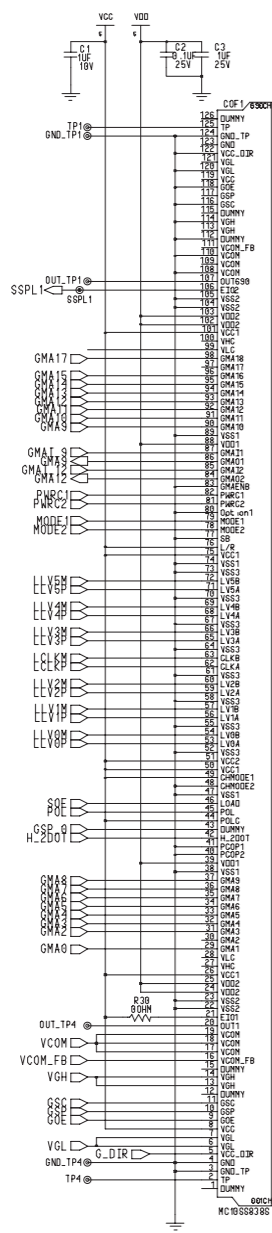


[ EEPROM BLOCK ]



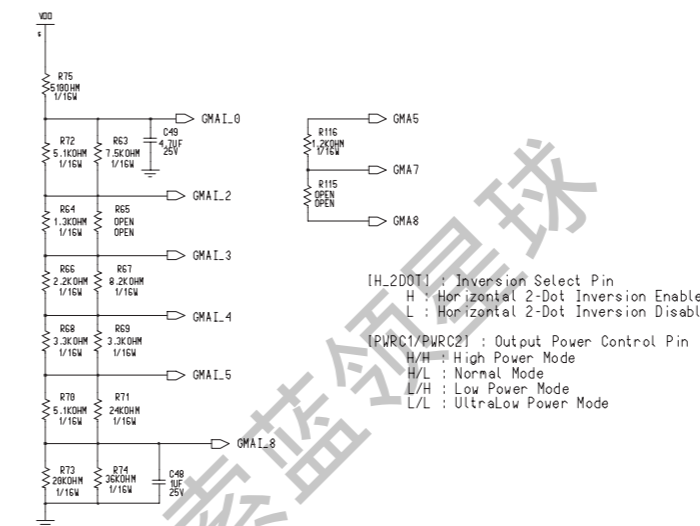
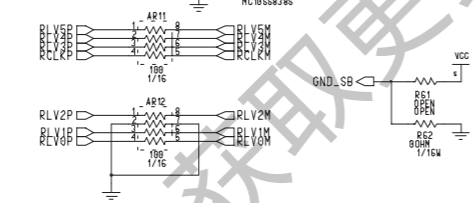
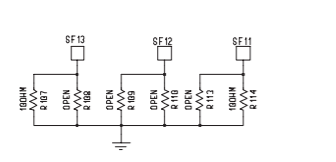
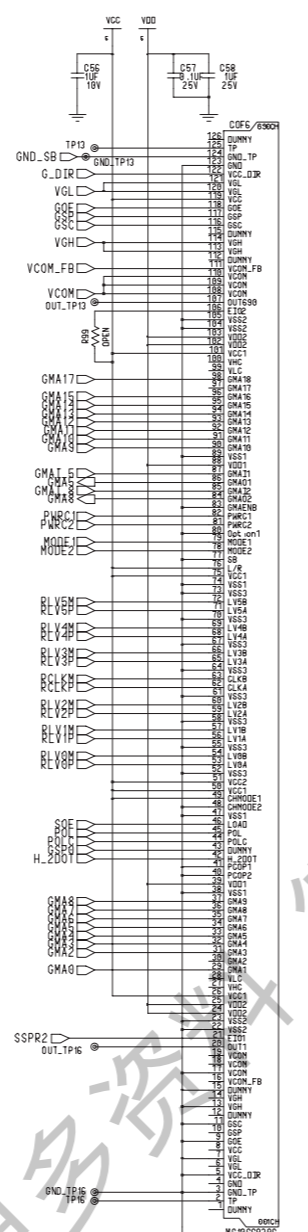
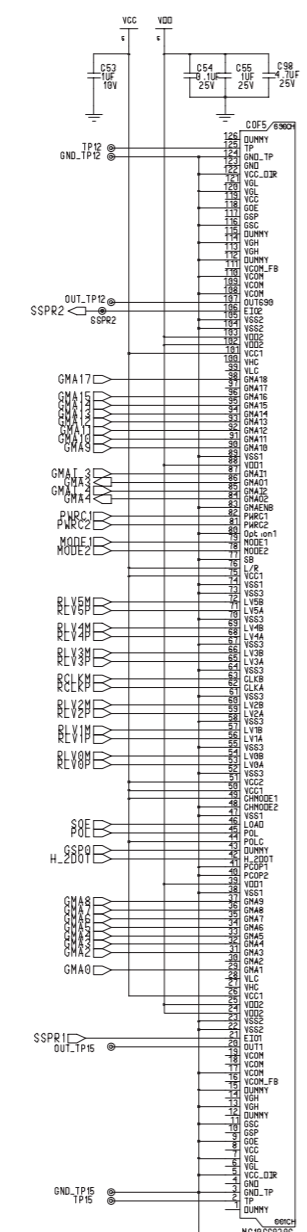
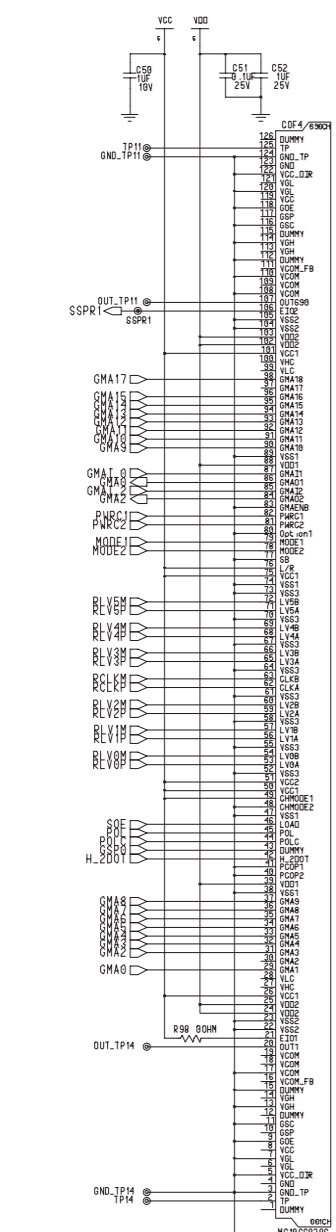
获取更多资料 微信搜索 蓝领星球





[H\_2DOT] : Inversion Select Pin  
 H : Horizontal 2-Dot Inversion Enable  
 L : Horizontal 2-Dot Inversion Disable

[PWRC1/PWRC2] : Output Power Control Pin  
 H/H : High Power Mode  
 H/L : Normal Mode  
 L/H : Low Power Mode  
 L/L : UltraLow Power Mode



IH\_2DOT1 : Inversion Select Pin  
 H : Horizontal 2-Dot Inversion Enable  
 L : Horizontal 2-Dot Inversion Disable  
 PWR\_C1/PWR\_C2 : Output Power Control Pin  
 H/H : High Power Mode  
 L/L : Low Power Mode  
 L/L : UltraLow Power Mode

