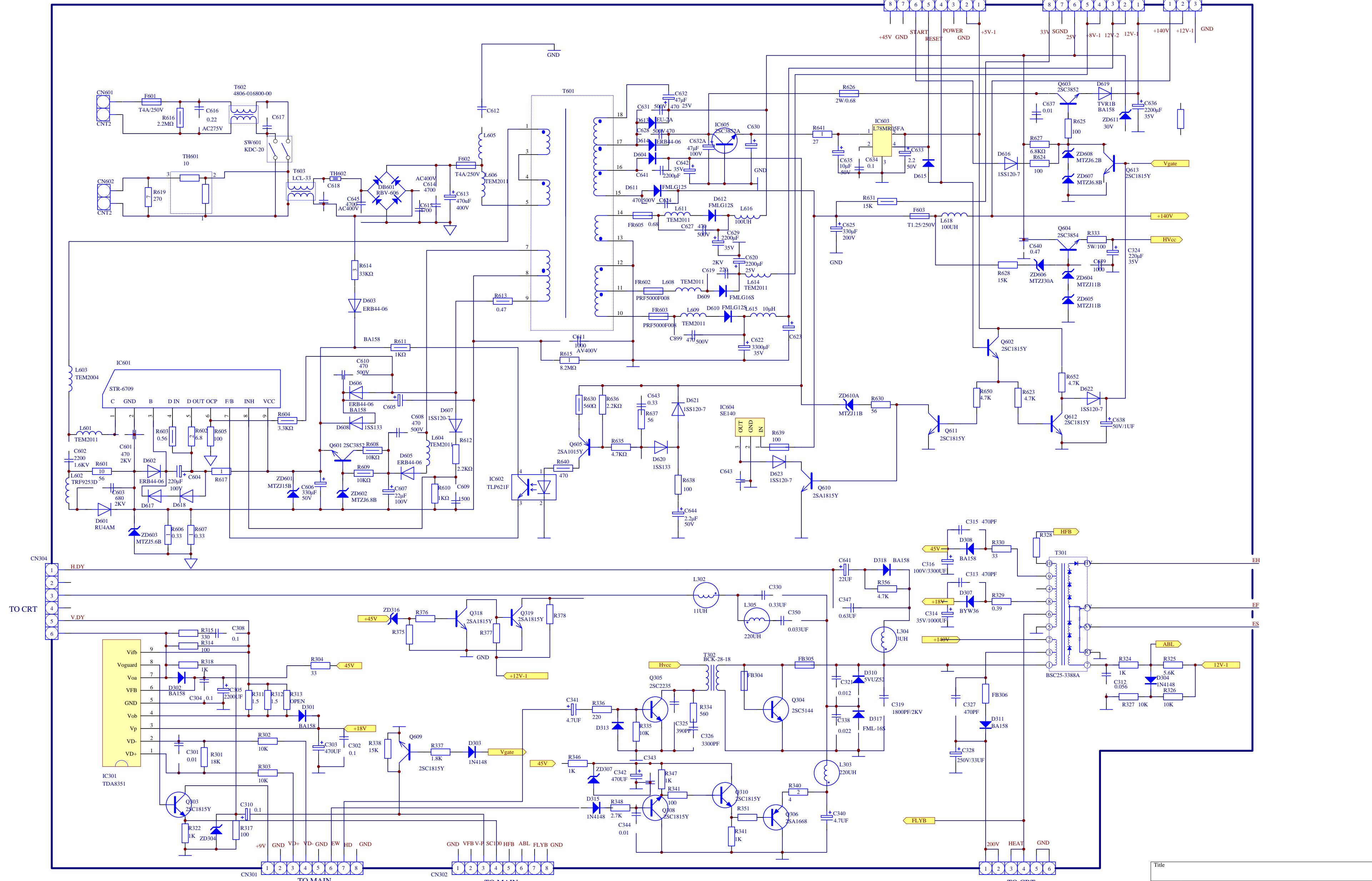


5D30 电原理图：电源



Title		
Size	Number	Revision
A2		
Date:	8-Jun-2002	Sheet of 2/7
File:	D:\Program Files\Design Explorer 99 SE\Eda\5D30\PCB Auto-Routing\Ps.DDB	