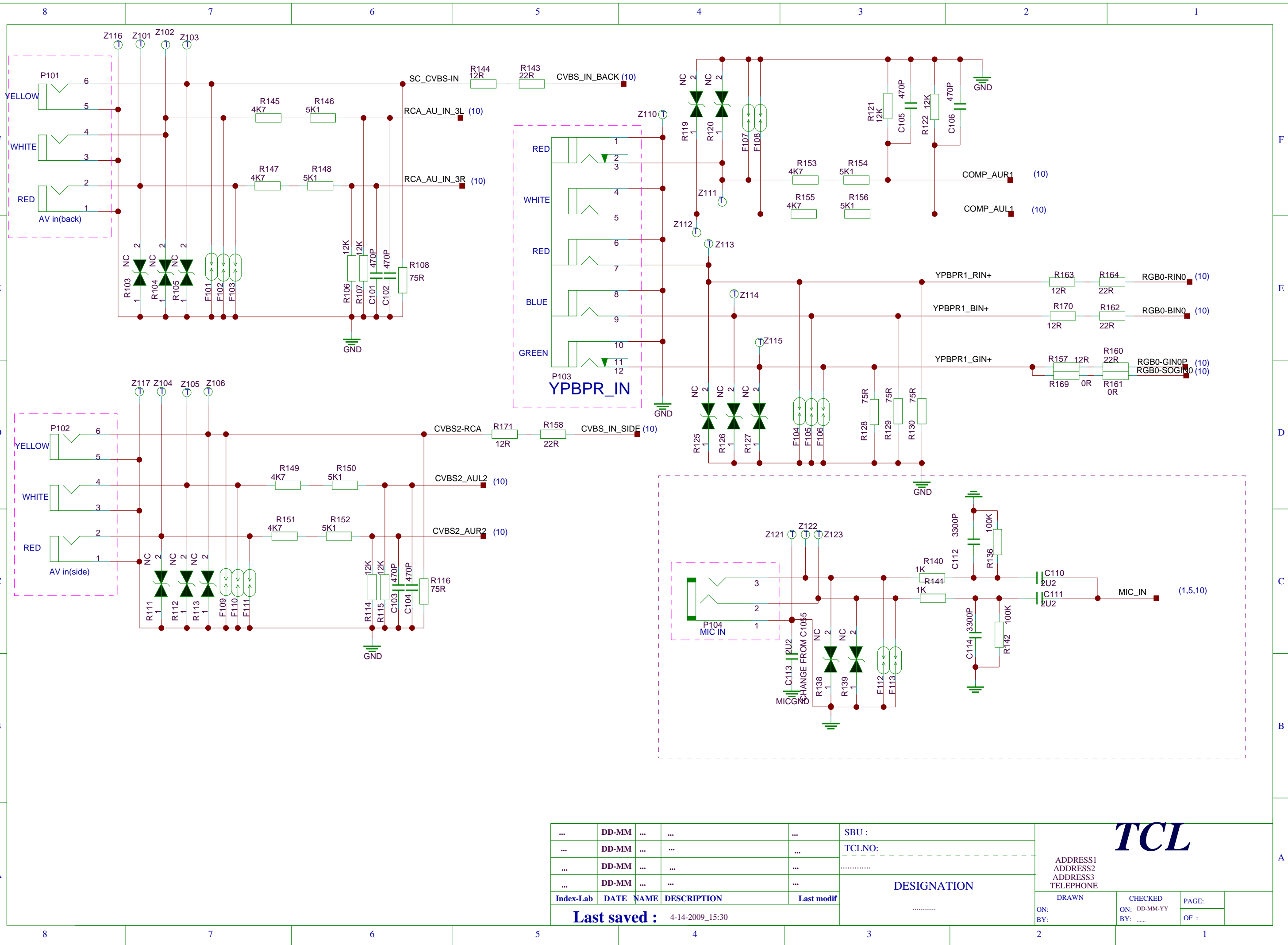
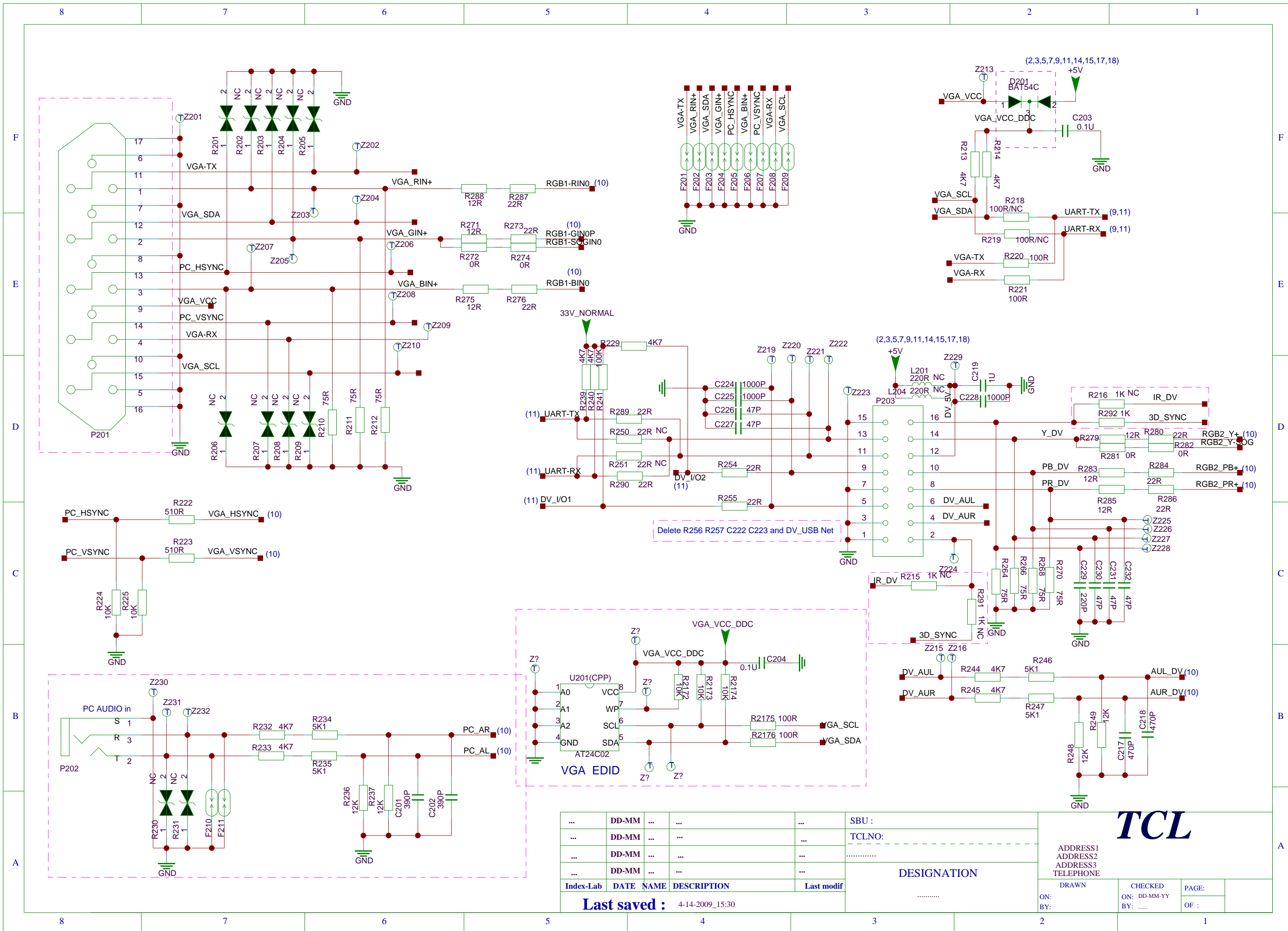


THIS DRAWING CANNOT BE COMMUNICATED TO UNAUTHORIZED PERSONS COPIES UNLESS PERMITTED IN WRITING



...	DD-MM	...	...	...	SBU :	<b>TCL</b>
...	DD-MM	...	...	...	TCLNO:	
...	DD-MM	...	...	...	.....	
...	DD-MM	...	...	...	DESIGNATION	
Index-Lab	DATE	NAME	DESCRIPTION	Last modif	.....	ADDRESS1 ADDRESS2 ADDRESS3 TELEPHONE
Last saved : 4-14-2009_15:30						DRAWN
						CHECKED
						ON: DD-MM-YY
						BY: .....
						PAGE:
						OF :

THIS DRAWING CANNOT BE COMMUNICATED TO UNAUTHORIZED PERSONS UNLESS PERMITTED IN WRITING



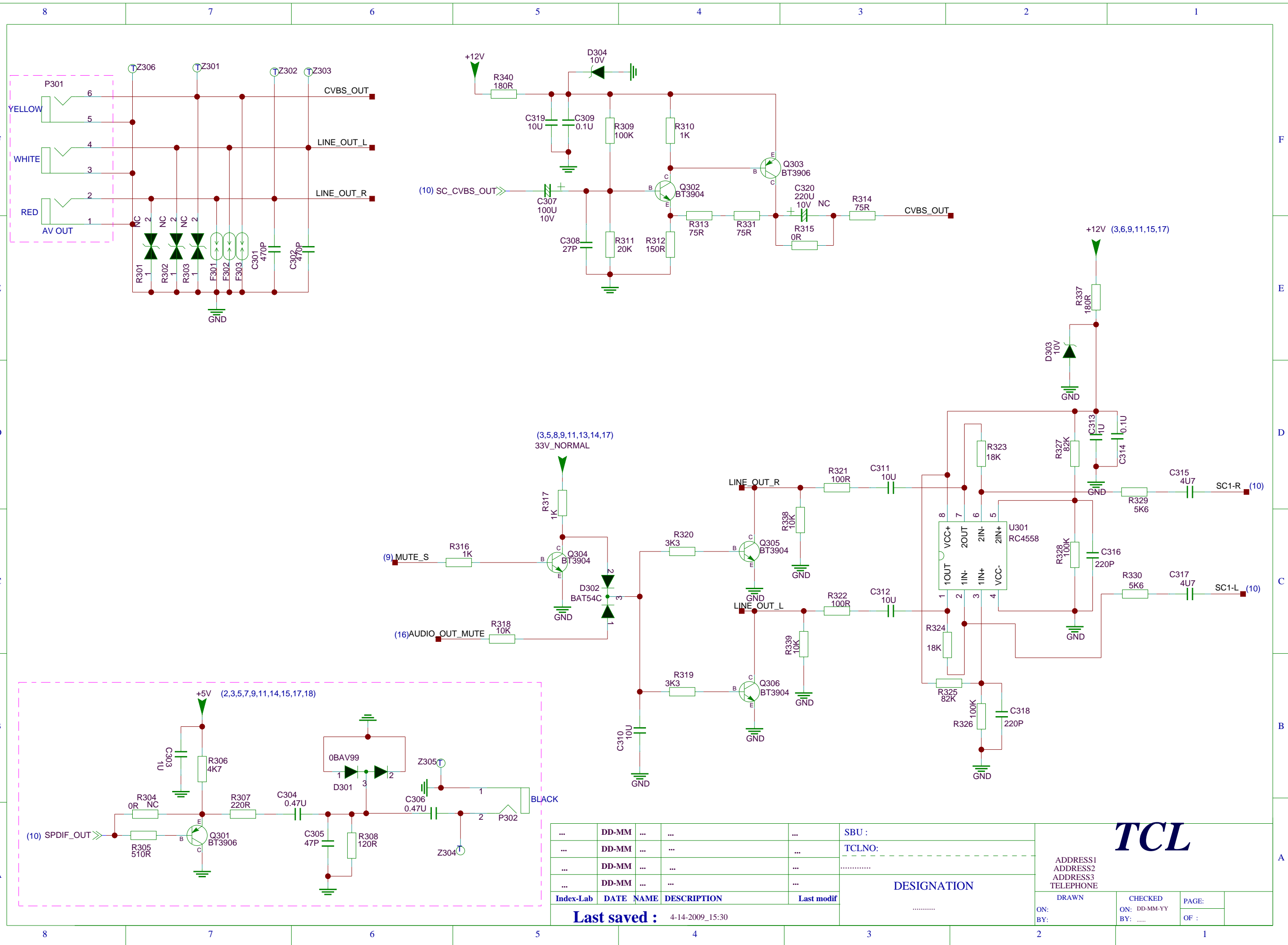
...	DD-MM	...	...	...	SBU :
...	DD-MM	...	...	...	TCLNO:
...	DD-MM	...	...	...	.....
...	DD-MM	...	...	...	DESIGNATION
Index-Lab	DATE	NAME	DESCRIPTION	Last modif	.....
Last saved : 4-14-2009_15:30					


TCL

ADDRESS1  
ADDRESS2  
ADDRESS3  
TELEPHONE

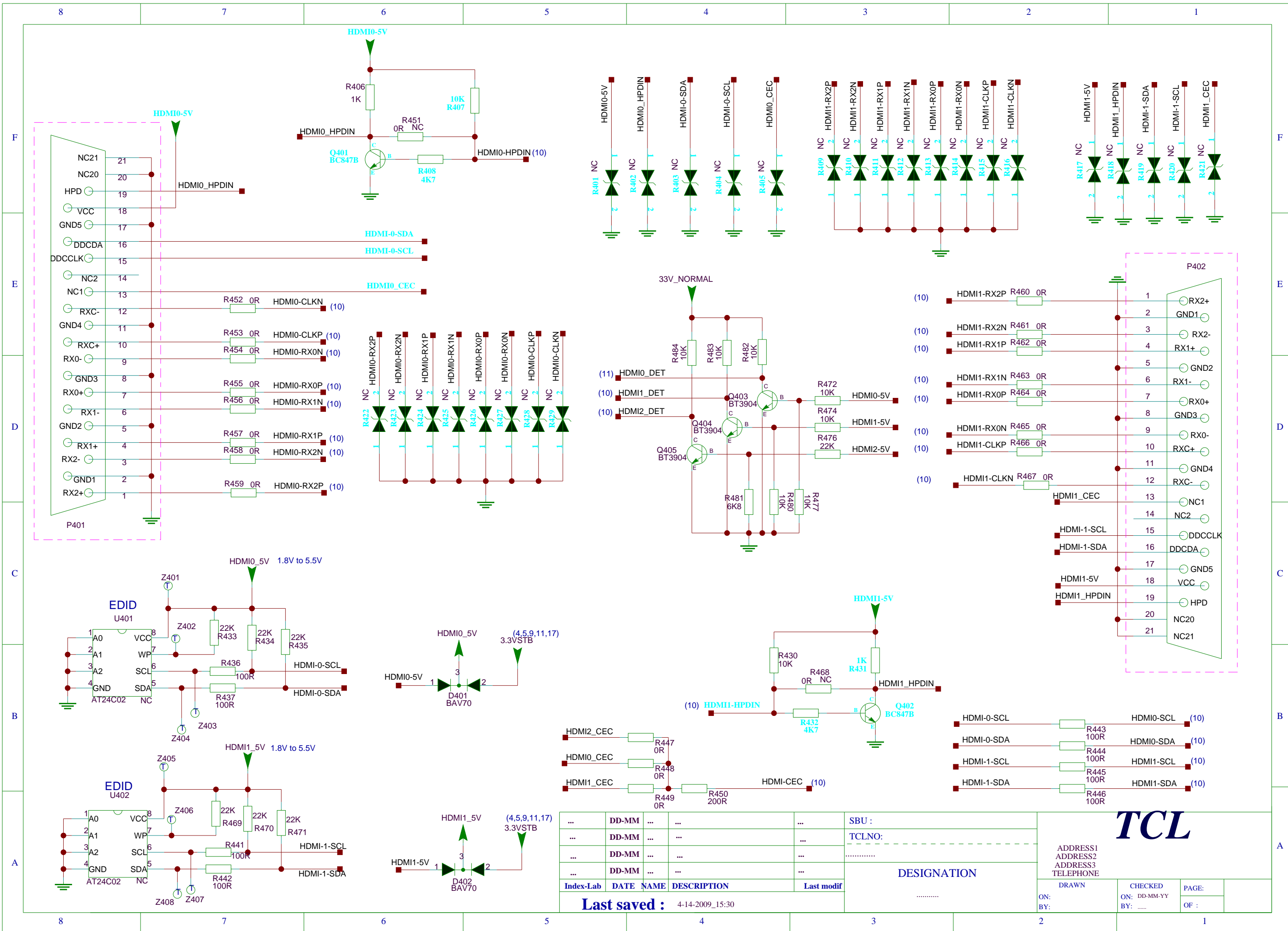
DRAWN	CHECKED	PAGE:
ON: BY:	ON: DD-MM-YY BY: .....	OF :

THIS DRAWING CANNOT BE COMMUNICATED TO UNAUTHORIZED PERSONS UNLESS PERMITTED IN WRITING



...	DD-MM	...	...	...	SBU :
...	DD-MM	...	...	...	TCLNO:
...	DD-MM	...	...	...	.....
...	DD-MM	...	...	...	DESIGNATION
Index-Lab	DATE	NAME	DESCRIPTION	Last modif	.....
Last saved : 4-14-2009_15:30					
DRAWN			CHECKED	PAGE:	
ON:	BY:	ON: DD-MM-YY	BY: .....	OF :	

THIS DRAWING CANNOT BE COMMUNICATED TO UNAUTHORIZED PERSONS UNLESS PERMITTED IN WRITING



Index-Lab	DATE	NAME	DESCRIPTION	Last modif
...	DD-MM	...	...	...
...	DD-MM	...	...	...
...	DD-MM	...	...	...
...	DD-MM	...	...	...

Last saved : 4-14-2009\_15:30

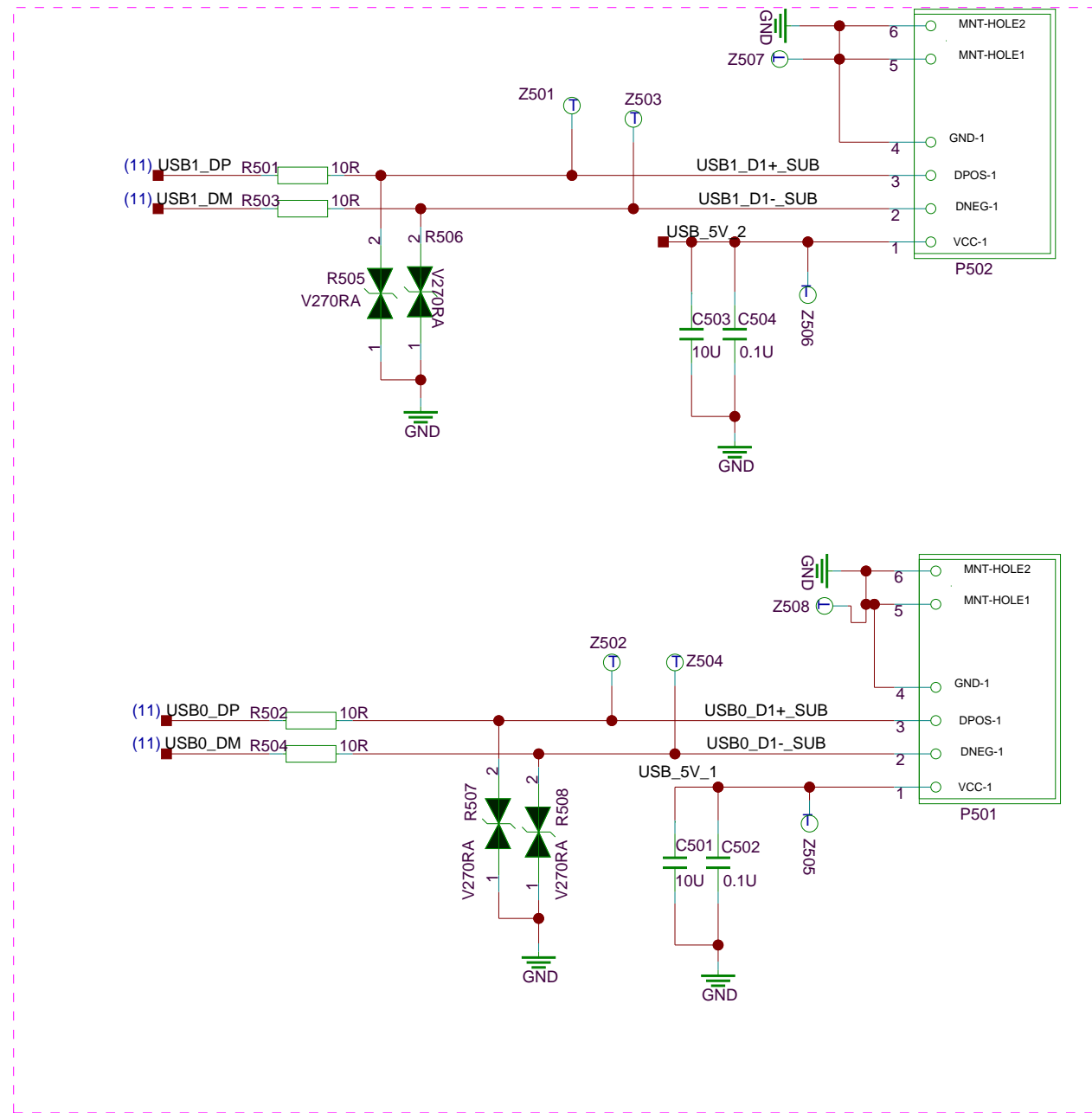
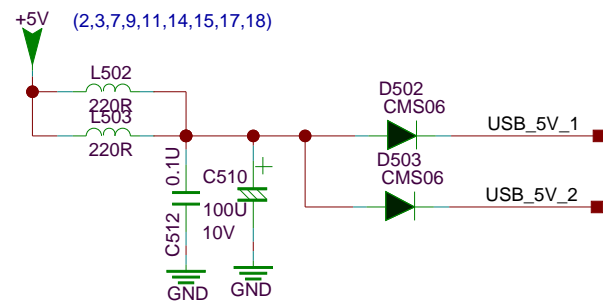
SBU :  
 TCLNO:  
 .....  
 DESIGNATION  
 .....

**TCL**

ADDRESS1  
 ADDRESS2  
 ADDRESS3  
 TELEPHONE

DRAWN	CHECKED	PAGE:
ON: BY:	ON: DD-MM-YY	OF :

THIS DRAWING CANNOT BE COMMUNICATED TO UNAUTHORIZED PERSONS COPIED UNLESS PERMITTED IN WRITING



...	DD-MM	...	...	...	SBU :
...	DD-MM	...	...	...	TCLNO:
...	DD-MM	...	...	...	.....
...	DD-MM	...	...	...	DESIGNATION
Index-Lab	DATE	NAME	DESCRIPTION	Last modif	.....
Last saved : 4-14-2009_15:30					

DESIGNATION			DRAWN		CHECKED	PAGE: 5
			ON:		ON: DD-MM-YY	OF : 20
BY:			BY: .....			

TCL

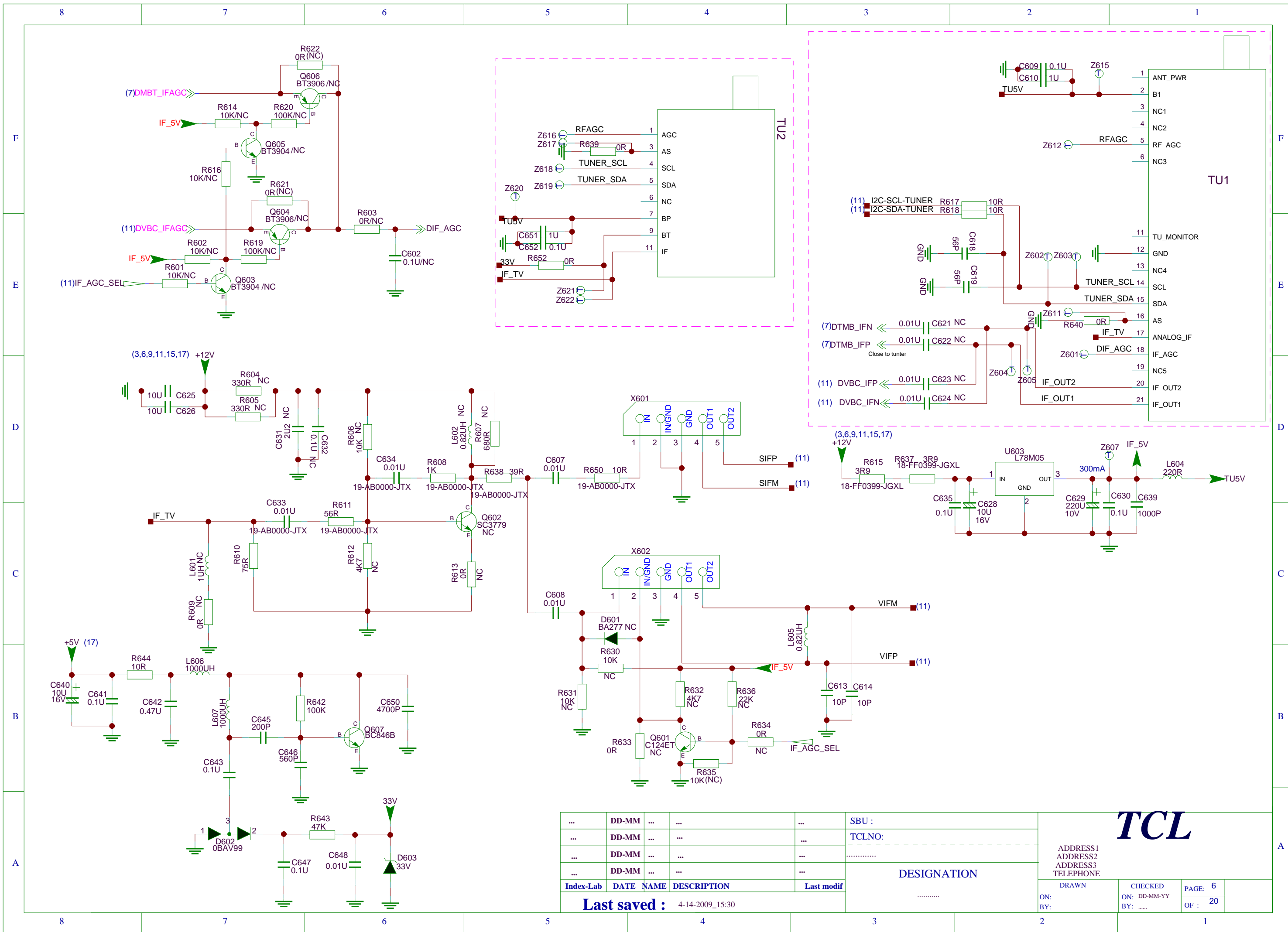
ADDRESS1  
ADDRESS2  
ADDRESS3  
TELEPHONE

8 7 6 5 4 3 2 1

F  
E  
D  
C  
B  
A

8 7 6 5 4 3 2 1

THIS DRAWING CANNOT BE COMMUNICATED TO UNAUTHORIZED PERSONS UNLESS PERMITTED IN WRITING



...	DD-MM	...	...	...	SBU :
...	DD-MM	...	...	...	TCLNO:
...	DD-MM	...	...	...	.....
...	DD-MM	...	...	...	DESIGNATION
Index-Lab	DATE	NAME	DESCRIPTION	Last modif	.....
Last saved : 4-14-2009_15:30					

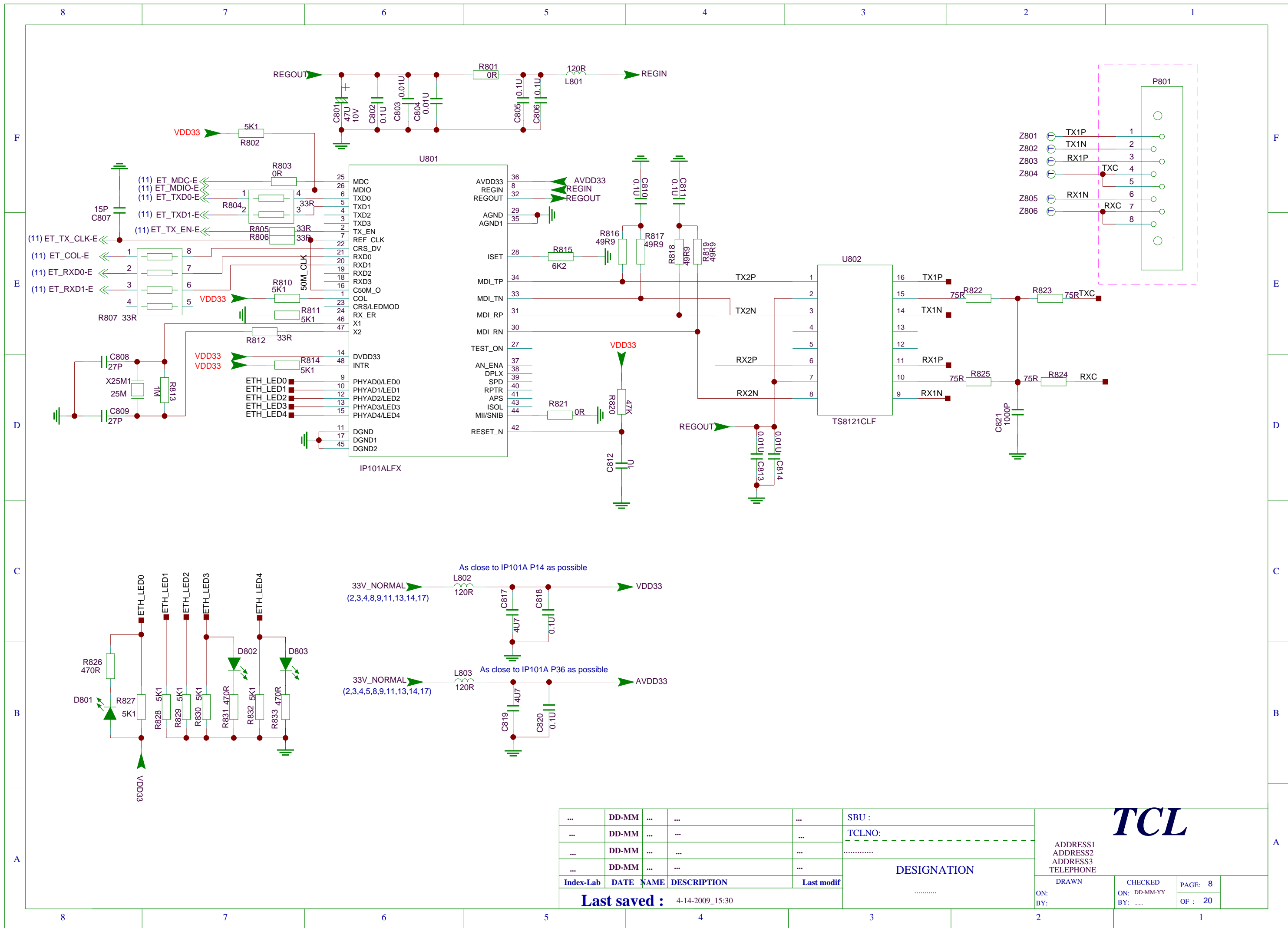
**TCL**

ADDRESS1  
ADDRESS2  
ADDRESS3  
TELEPHONE

DRAWN	CHECKED	PAGE: 6
ON:	ON: DD-MM-YY	OF : 20
BY:	BY: .....	



THIS DRAWING CANNOT BE COMMUNICATED TO UNAUTHORIZED PERSONS COPIED UNLESS PERMITTED IN WRITING



...	DD-MM	...	...	...	SBU :
...	DD-MM	...	...	...	TCLNO:
...	DD-MM	...	...	...	.....
...	DD-MM	...	...	...	DESIGNATION
Index-Lab	DATE	NAME	DESCRIPTION	Last modif	.....

Last saved : 4-14-2009\_15:30

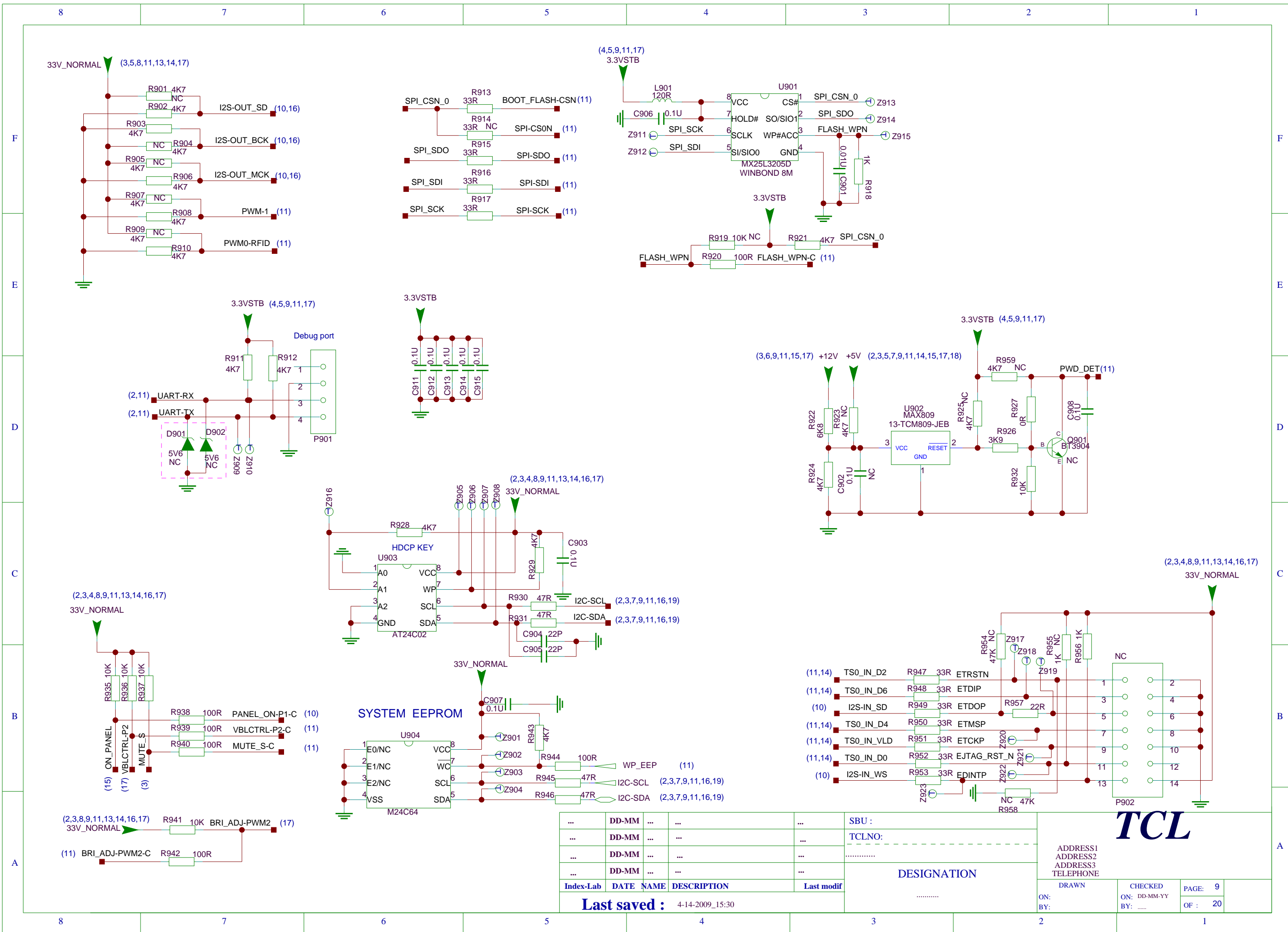
**TCL**

ADDRESS1  
ADDRESS2  
ADDRESS3  
TELEPHONE

DRAWN	CHECKED	PAGE: 8
ON:	ON: DD-MM-YY	OF: 20
BY:	BY: .....	



THIS DRAWING CANNOT BE COMMUNICATED TO UNAUTHORIZED PERSONS UNLESS PERMITTED IN WRITING

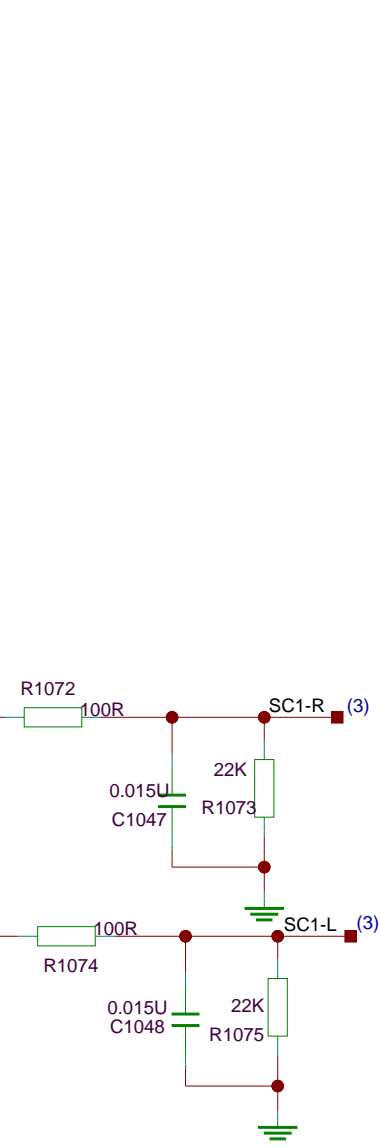
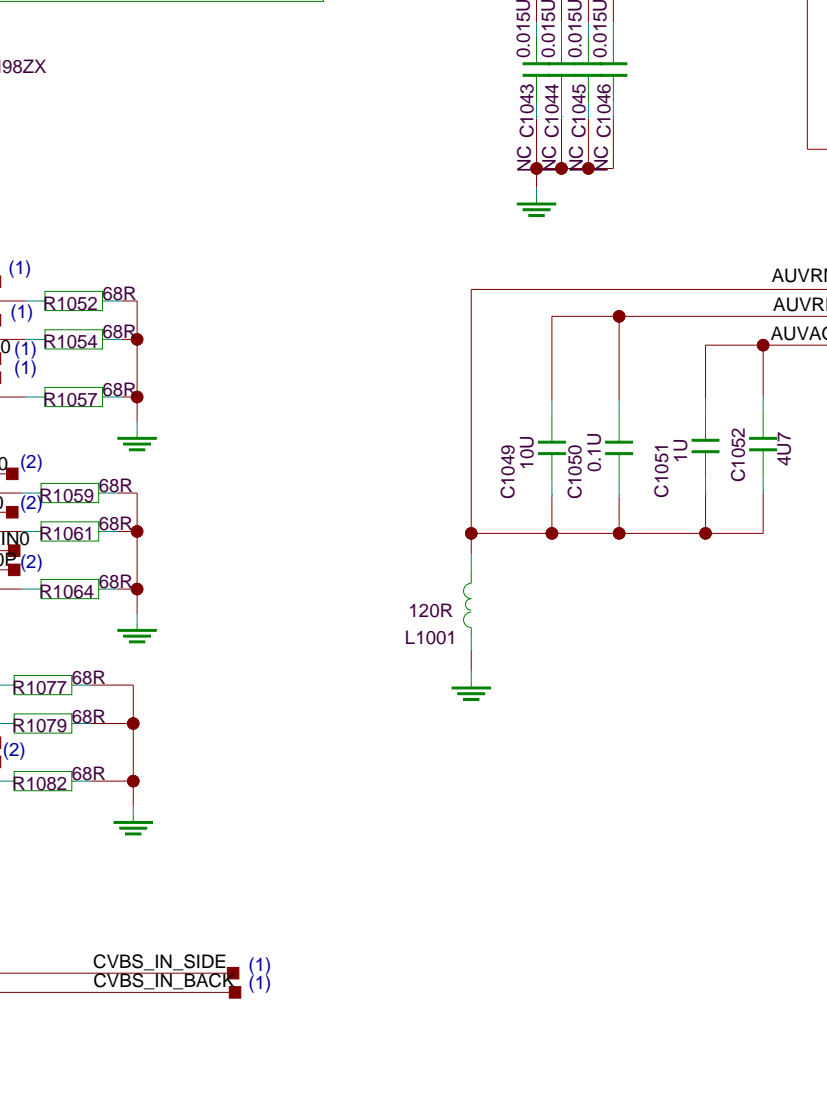
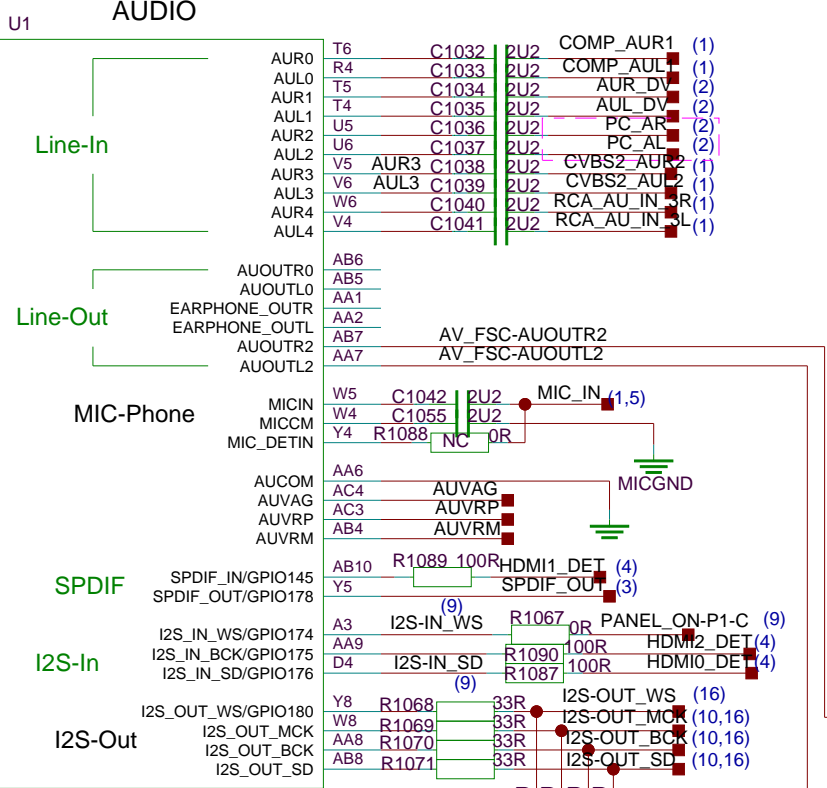
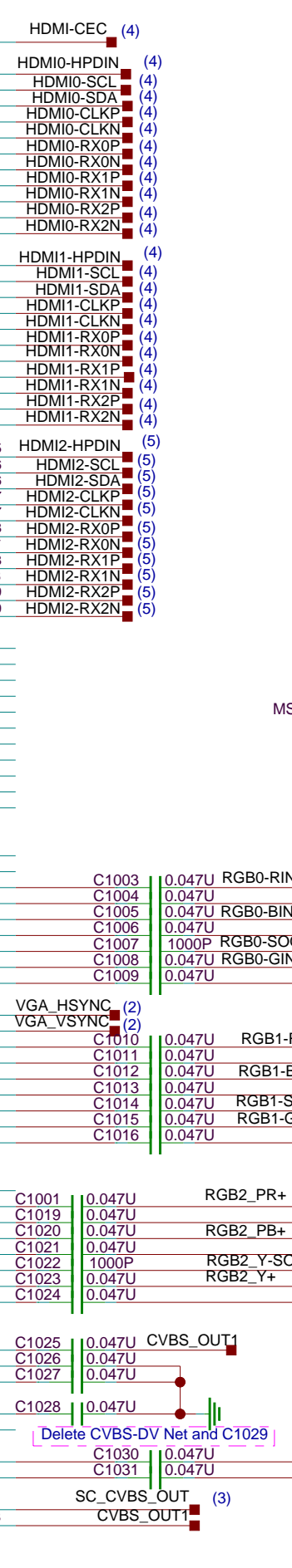
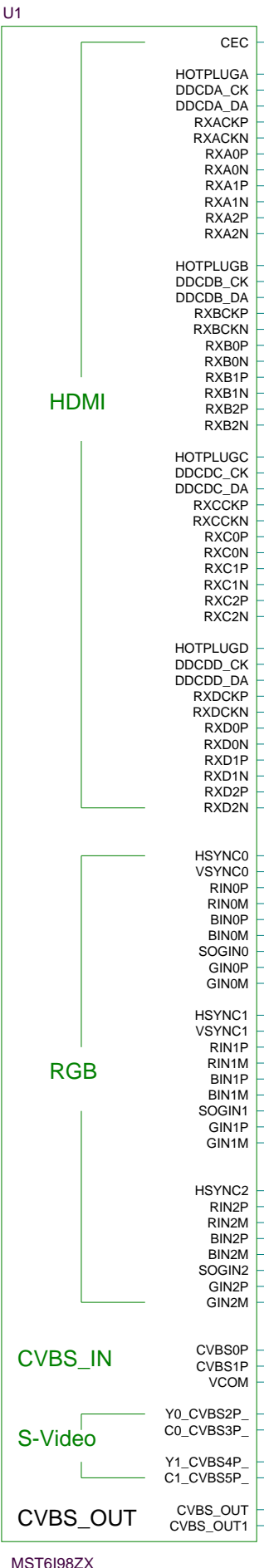
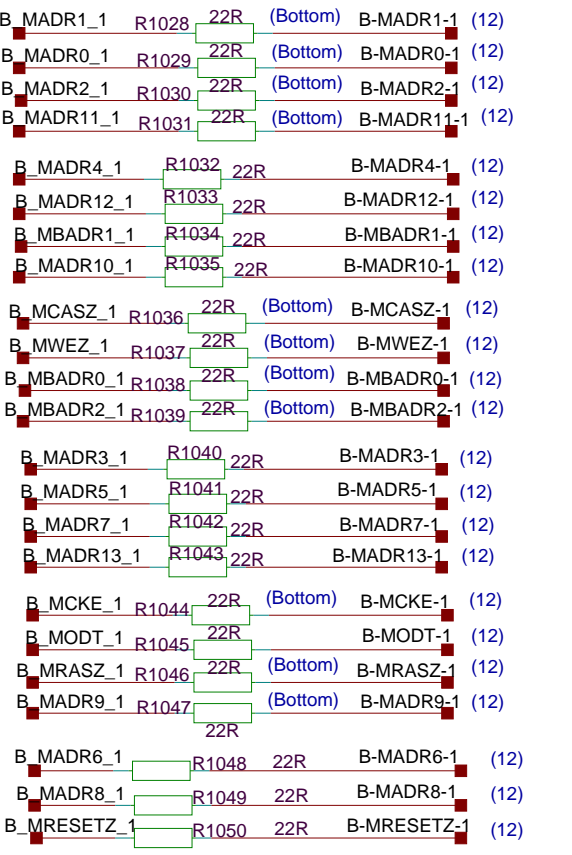
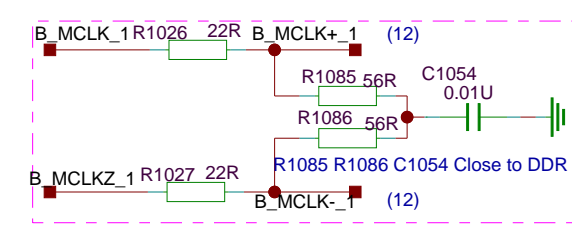
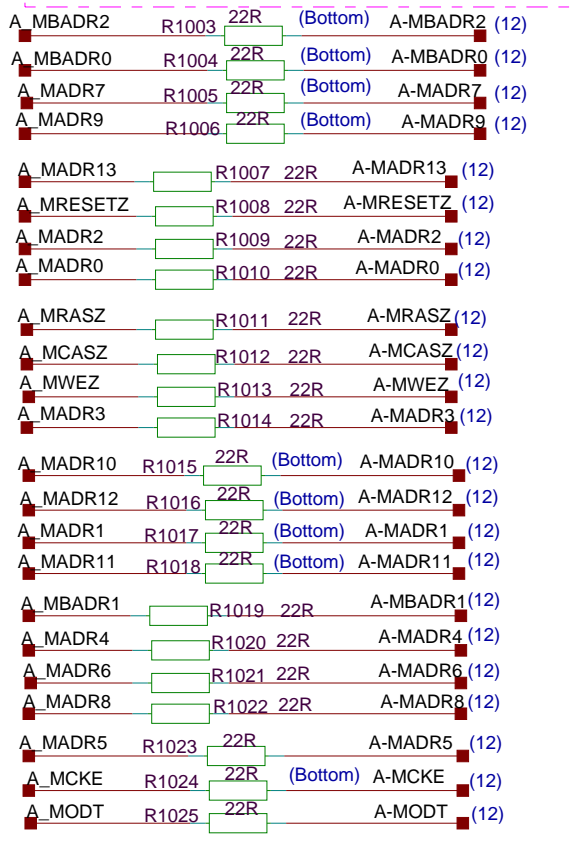
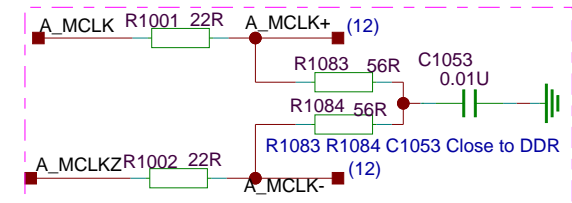


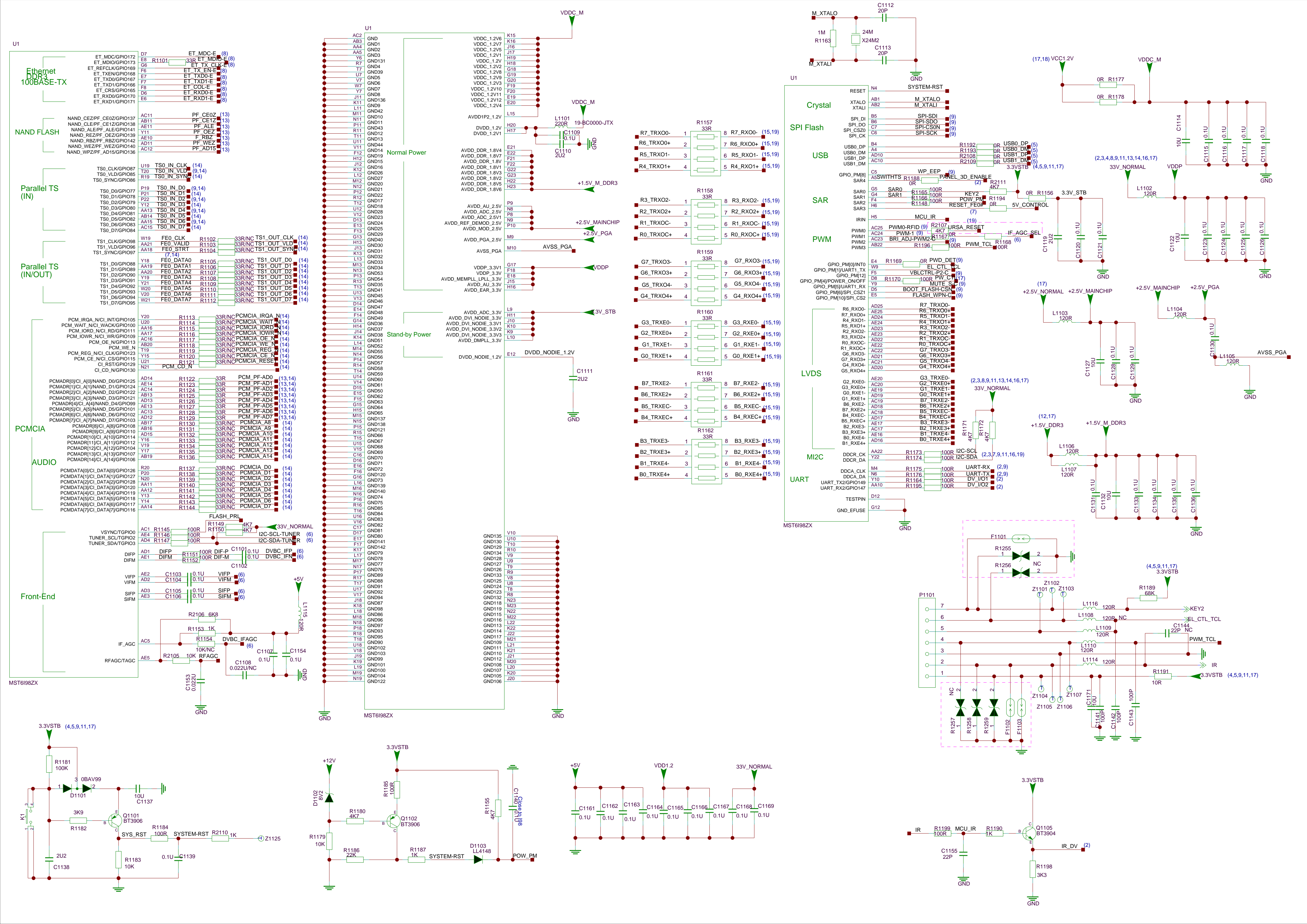
...	DD-MM	...	...	...	SBU :
...	DD-MM	...	...	...	TCLNO:
...	DD-MM	...	...	...	.....
...	DD-MM	...	...	...	DESIGNATION
Index-Lab	DATE	NAME	DESCRIPTION	Last modif	.....
Last saved : 4-14-2009_15:30					
					ADDRESS1 ADDRESS2 ADDRESS3 TELEPHONE
DRAWN		CHECKED		PAGE: 9	
ON:		ON: DD-MM-YY		OF : 20	
BY:		BY: .....			



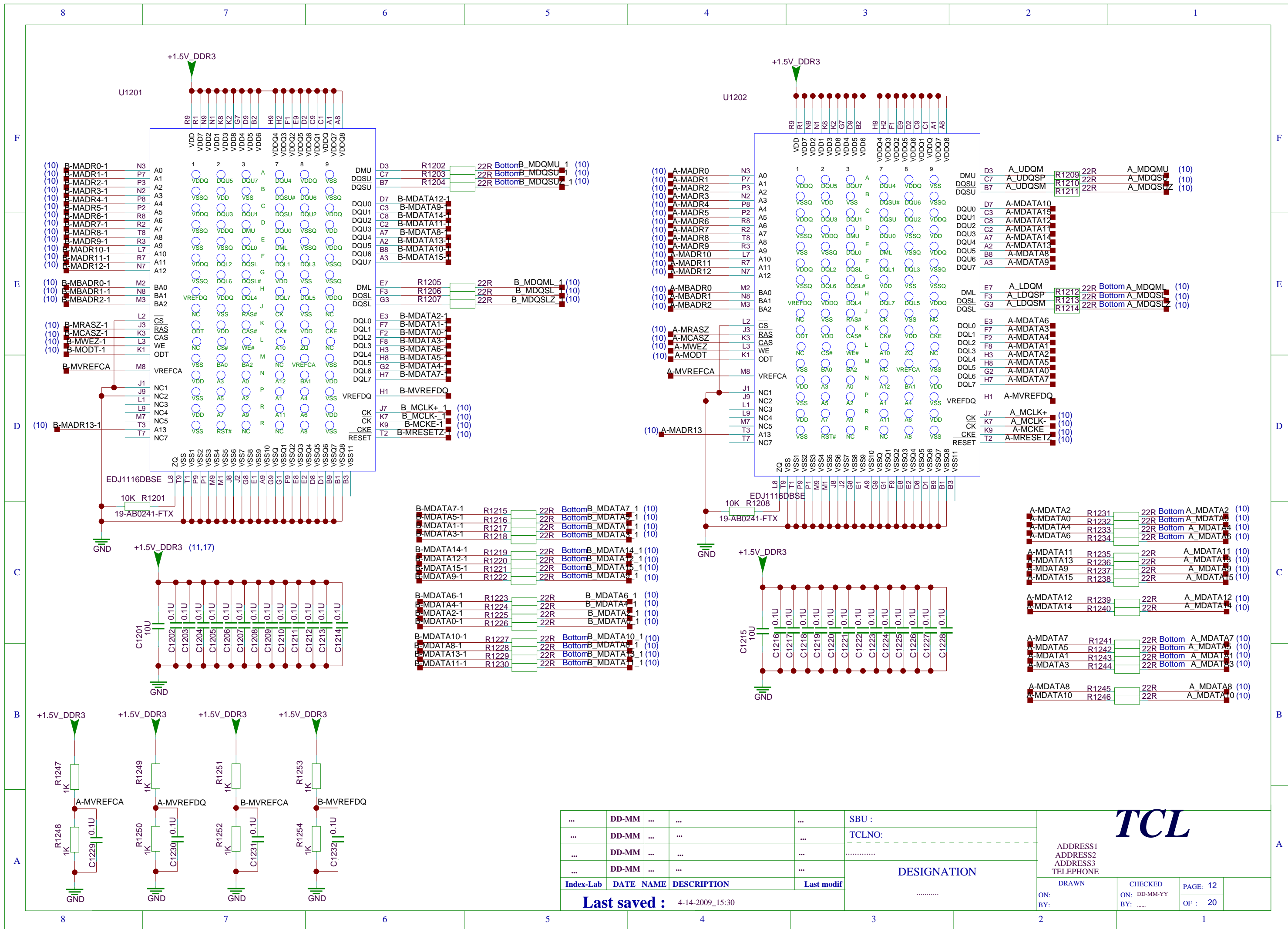
U1 DDR3

A_MADR0	B25	A_MADR0
A_MADR1	A7	A_MADR1
A_MADR2	B24	A_MADR2
A_MADR3	B22	A_MADR3
A_MADR4	B8	A_MADR4
A_MADR5	C23	A_MADR5
A_MADR6	A8	A_MADR6
A_MADR7	A23	A_MADR7
A_MADR8	C8	A_MADR8
A_MADR9	C24	A_MADR9
A_MADR10	C10	A_MADR10
A_MADR11	B7	A_MADR11
A_MADR12	C9	A_MADR12
A_MADR13	A24	A_MADR13
A_MRESETZ	A25	A_MRESETZ
A_MCASZ	A21	A_MCASZ
A_MRASZ	A20	A_MRASZ
A_MWEZ	B21	A_MWEZ
A_MCKE	A11	A_MCKE
A_MODT	B10	A_MODT
A_MBADR0	C22	A_MBADR0
A_MBADR1	B9	A_MBADR1
A_MBADR2	B23	A_MBADR2
A_MDQL0	C20	A_MDQL0 (12)
A_MDQL1	C13	A_MDQL1 (12)
A_MDQL2	B19	A_MDQL2 (12)
A_MDQL3	B13	A_MDQL3 (12)
A_MDQL4	B20	A_MDQL4 (12)
A_MDQL5	A12	A_MDQL5 (12)
A_MDQL6	C21	A_MDQL6 (12)
A_MDQL7	B12	A_MDQL7 (12)
A_MDQL8	B14	A_MDQL8 (12)
A_MDQL9	C18	A_MDQL9 (12)
A_MDQL10	C14	A_MDQL10 (12)
A_MDQL11	B18	A_MDQL11 (12)
A_MDQL12	B17	A_MDQL12 (12)
A_MDQL13	A18	A_MDQL13 (12)
A_MDQL14	A16	A_MDQL14 (12)
A_MDQL15	A17	A_MDQL15 (12)
A_MDQML	A13	A_MDQML (12)
A_MDQMU	C19	A_MDQMU (12)
A_MDQSL	B16	A_MDQSL (12)
A_MDQSLZ	A15	A_MDQSLZ (12)
A_MDQSU	B15	A_MDQSU (12)
A_MDQSUZ	C15	A_MDQSUZ (12)
A_MCLK	B11	A_MCLK
A_MCLKZ	A10	A_MCLKZ
B_MADR0	E23	B_MADR0
B_MADR1	D25	B_MADR1
B_MADR2	Y24	B_MADR2
B_MADR3	F24	B_MADR3
B_MADR4	AA23	B_MADR4
B_MADR5	F23	B_MADR5
B_MADR6	AB23	B_MADR6
B_MADR7	E24	B_MADR7
B_MADR8	AB25	B_MADR8
B_MADR9	G25	B_MADR9
B_MADR10	D24	B_MADR10
B_MADR11	F25	B_MADR11
B_MADR12	AB24	B_MADR12
B_MADR13	D23	B_MADR13
B_MRESETZ	W25	B_MRESETZ
B_MCASZ	W23	B_MCASZ
B_MRASZ	Y23	B_MRASZ
B_MWEZ	J25	B_MWEZ
B_MCKE	H24	B_MCKE
B_MODT	Y25	B_MODT
B_MBADR0	G24	B_MBADR0
B_MBADR1	AA24	B_MBADR1
B_MBADR2	AA24	B_MBADR2
B_MDQL0	V23	B_MDQL0 (12)
B_MDQL1	K24	B_MDQL1 (12)
B_MDQL2	U24	B_MDQL2 (12)
B_MDQL3	L24	B_MDQL3 (12)
B_MDQL4	V24	B_MDQL4 (12)
B_MDQL5	K23	B_MDQL5 (12)
B_MDQL6	W24	B_MDQL6 (12)
B_MDQL7	J24	B_MDQL7 (12)
B_MDQL8	M24	B_MDQL8 (12)
B_MDQL9	T24	B_MDQL9 (12)
B_MDQL10	L25	B_MDQL10 (12)
B_MDQL11	U23	B_MDQL11 (12)
B_MDQL12	R24	B_MDQL12 (12)
B_MDQL13	T25	B_MDQL13 (12)
B_MDQL14	P25	B_MDQL14 (12)
B_MDQL15	R25	B_MDQL15 (12)
B_MDQML	L23	B_MDQML (12)
B_MDQMU	U25	B_MDQMU (12)
B_MDQSL	P24	B_MDQSL (12)
B_MDQSLZ	N25	B_MDQSLZ (12)
B_MDQSU	N24	B_MDQSU (12)
B_MDQSUZ	M25	B_MDQSUZ (12)
B_MCLK	J23	B_MCLK
B_MCLKZ	H25	B_MCLKZ
MVREF	D22	MVREF



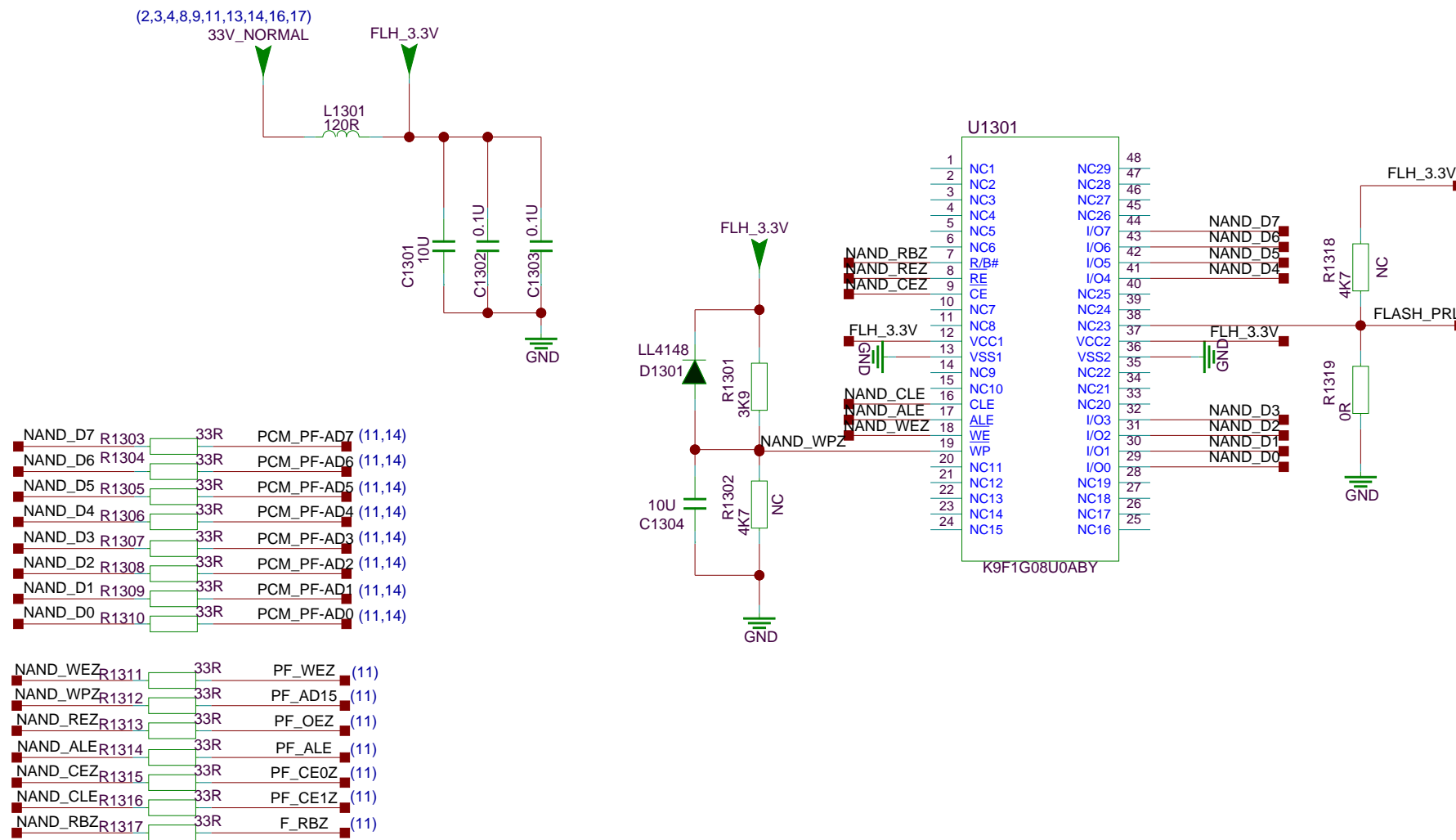


THIS DRAWING CANNOT BE COMMUNICATED TO UNAUTHORIZED PERSONS COPIED UNLESS PERMITTED IN WRITING



...	DD-MM	...	...	...	SBU :
...	DD-MM	...	...	...	TCLNO:
...	DD-MM	...	...	...	.....
...	DD-MM	...	...	...	DESIGNATION
Index-Lab	DATE	NAME	DESCRIPTION	Last modif	.....
Last saved : 4-14-2009_15:30					
				<b>TCL</b>	
				ADDRESS1 ADDRESS2 ADDRESS3 TELEPHONE	
DRAWN		CHECKED		PAGE: 12	
ON:		ON: DD-MM-YY		OF : 20	
BY:		BY: .....			

THIS DRAWING CANNOT BE COMMUNICATED TO UNAUTHORIZED PERSONS COPIED UNLESS PERMITTED IN WRITING



NAND_D7	R1303	33R	PCM_PF-AD7 (11,14)
NAND_D6	R1304	33R	PCM_PF-AD6 (11,14)
NAND_D5	R1305	33R	PCM_PF-AD5 (11,14)
NAND_D4	R1306	33R	PCM_PF-AD4 (11,14)
NAND_D3	R1307	33R	PCM_PF-AD3 (11,14)
NAND_D2	R1308	33R	PCM_PF-AD2 (11,14)
NAND_D1	R1309	33R	PCM_PF-AD1 (11,14)
NAND_D0	R1310	33R	PCM_PF-AD0 (11,14)
NAND_WEZ	R1311	33R	PF_WEZ (11)
NAND_WPZ	R1312	33R	PF_AD15 (11)
NAND_REZ	R1313	33R	PF_OEZ (11)
NAND_ALE	R1314	33R	PF_ALE (11)
NAND_CEZ	R1315	33R	PF_CE0Z (11)
NAND_CLE	R1316	33R	PF_CE1Z (11)
NAND_RBZ	R1317	33R	F_RBZ (11)

...	DD-MM	...	...	...	SBU :
...	DD-MM	...	...	...	TCLNO:-----
...	DD-MM	...	...	...	.....
...	DD-MM	...	...	...	DESIGNATION
Index-Lab	DATE	NAME	DESCRIPTION	Last modif	.....

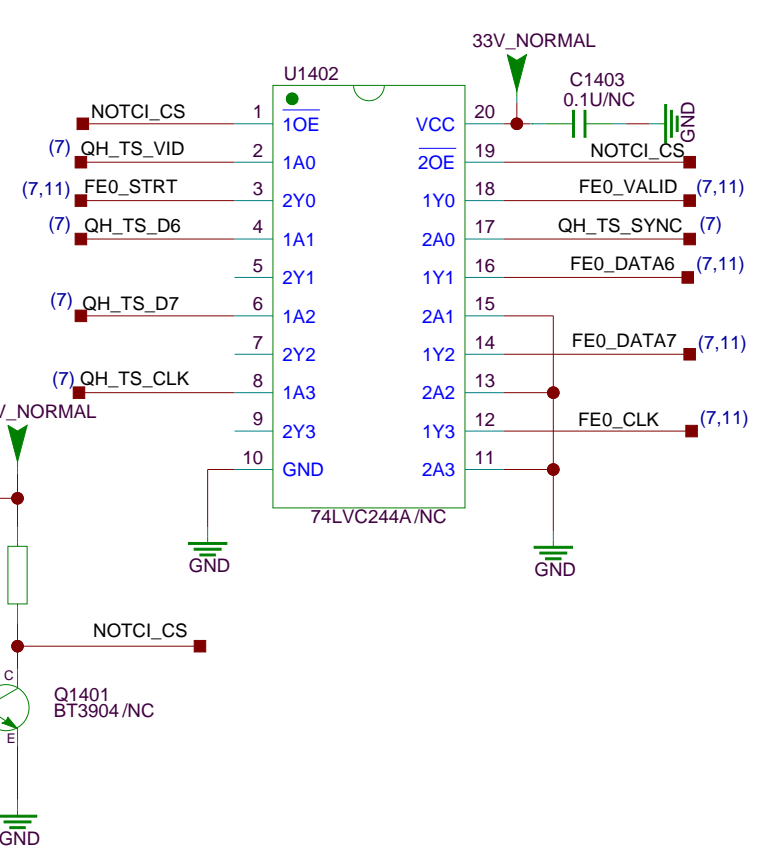
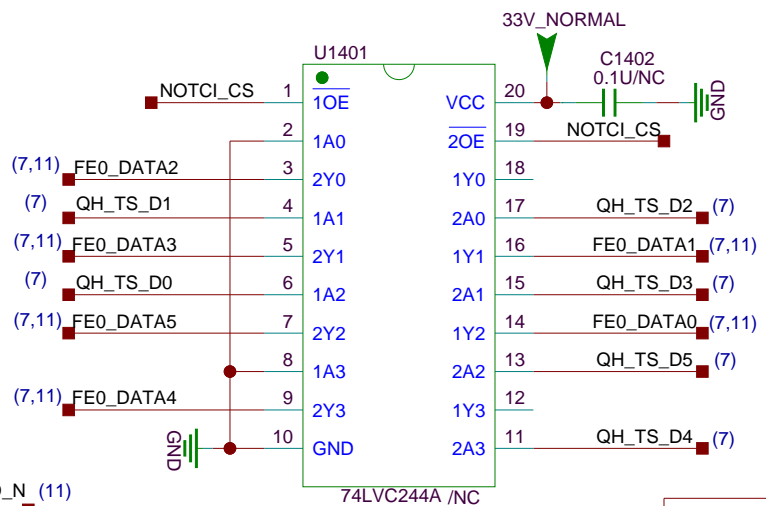
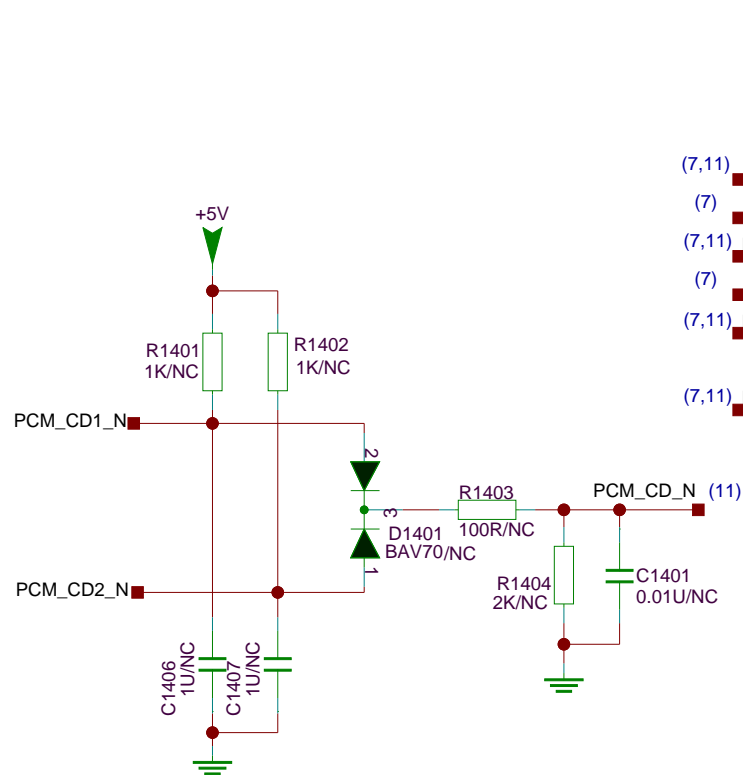
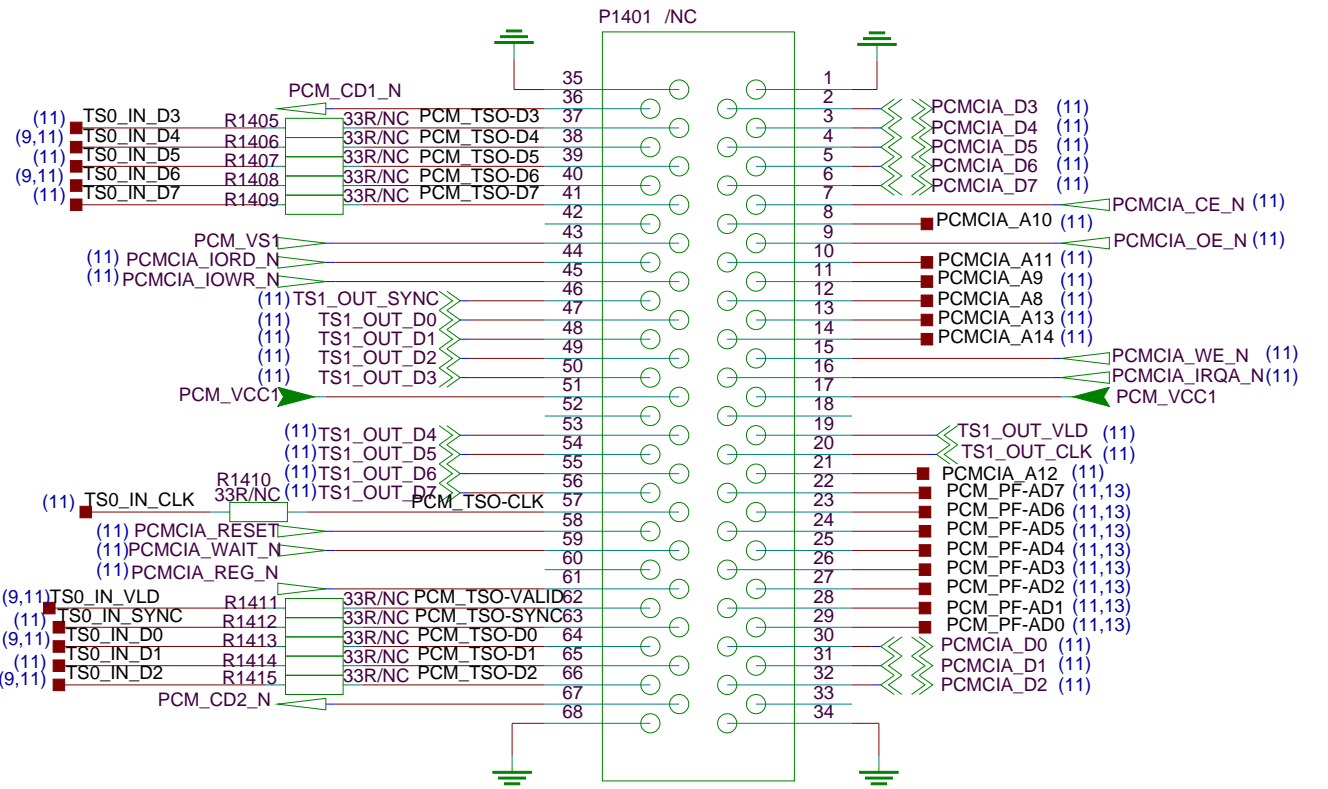
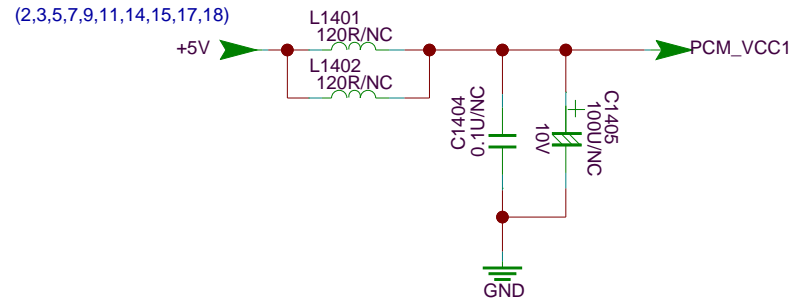
Last saved : 4-14-2009\_15:30

**TCL**

ADDRESS1  
ADDRESS2  
ADDRESS3  
TELEPHONE

DRAWN	CHECKED	PAGE: 13
ON:	ON: DD-MM-YY	OF : 20
BY:	BY: .....	

THIS DRAWING CANNOT BE COMMUNICATED TO UNAUTHORIZED PERSONS UNLESS PERMITTED IN WRITING

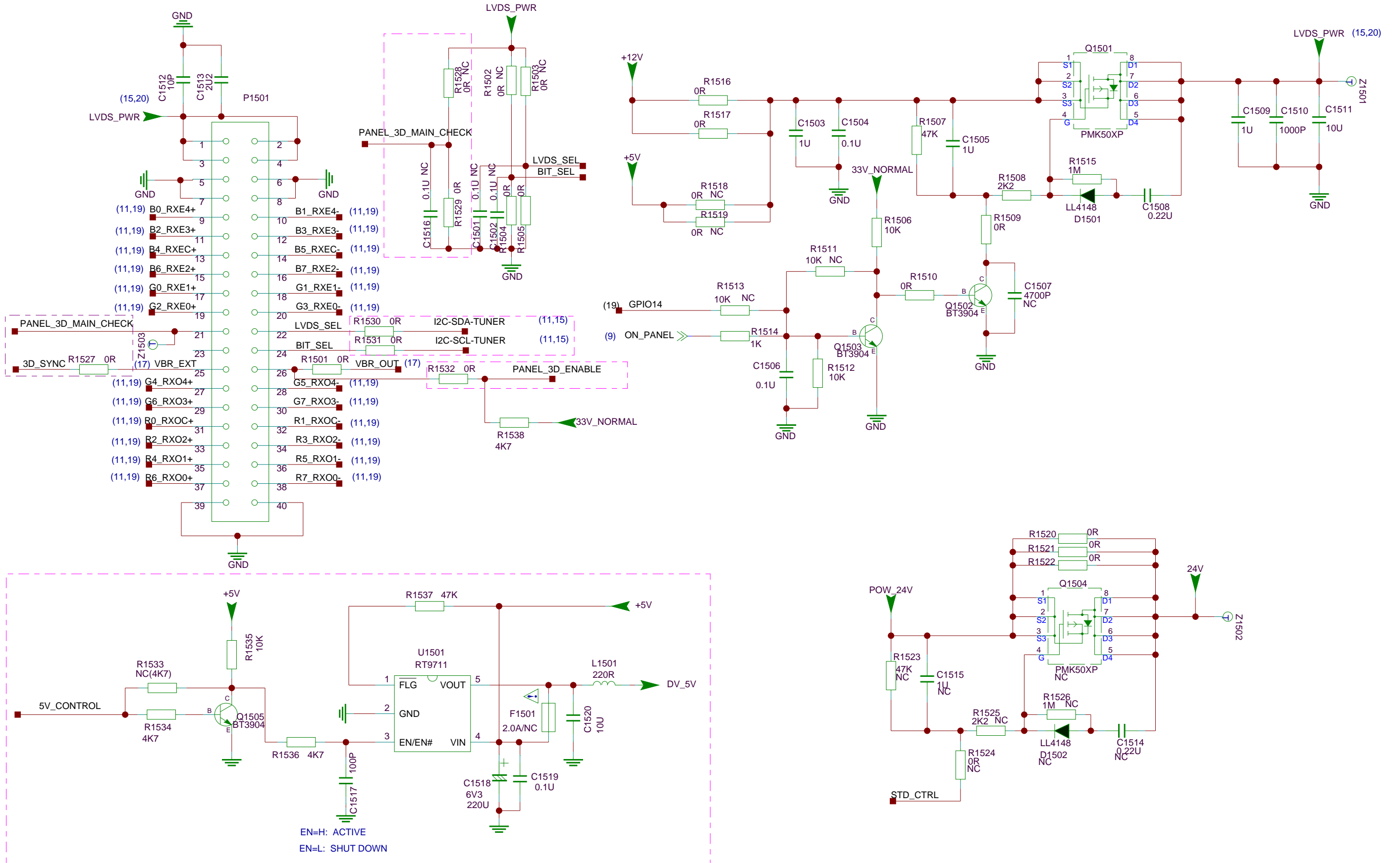


...	DD-MM	...	...	...	SBU :
...	DD-MM	...	...	...	TCLNO:
...	DD-MM	...	...	...	.....
...	DD-MM	...	...	...	DESIGNATION
Index-Lab	DATE	NAME	DESCRIPTION	Last modif	.....
Last saved : 5-5-2008_16:29					

**TTE**  
TCL Thomson Electronics Ltd.  
B Building, TCL Tower, Nanhai Road  
Nanshan District, Shenzhen, Guangdong  
Tel +86-755-3331xxxx Fax +86-755-3331xxxx

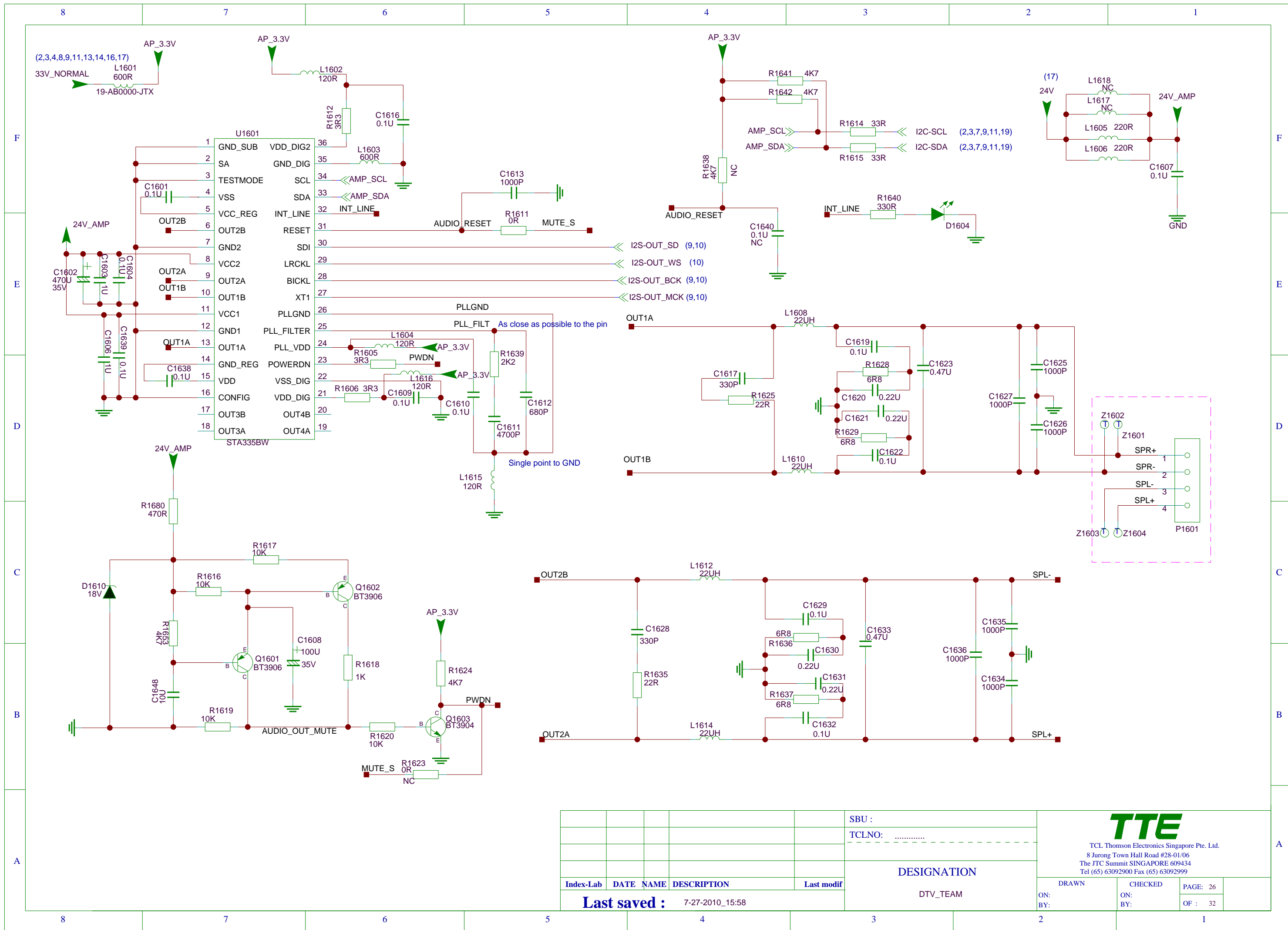
DRAWN	CHECKED	PAGE:
ON:	ON: DD-MM-YY	OF :
BY:	BY: .....	


THIS DRAWING CANNOT BE COMMUNICATED TO UNAUTHORIZED PERSONS COPIED UNLESS PERMITTED IN WRITING



...	DD-MM	...	...	...	SBU :	
...	DD-MM	...	...	...	TCLNO:	
...	DD-MM	...	...	...	.....	
...	DD-MM	...	...	...	DESIGNATION	
Index-Lab	DATE	NAME	DESCRIPTION	Last modif	.....	
Last saved : 4-14-2009_15:30						
						ADDRESS1 ADDRESS2 ADDRESS3 TELEPHONE
DRAWN ON:	CHECKED ON: DD-MM-YY	PAGE:				
BY:	BY: .....	OF :				

THIS DRAWING CANNOT BE COMMUNICATED TO UNAUTHORIZED PERSONS COPIED UNLESS PERMITTED IN WRITING



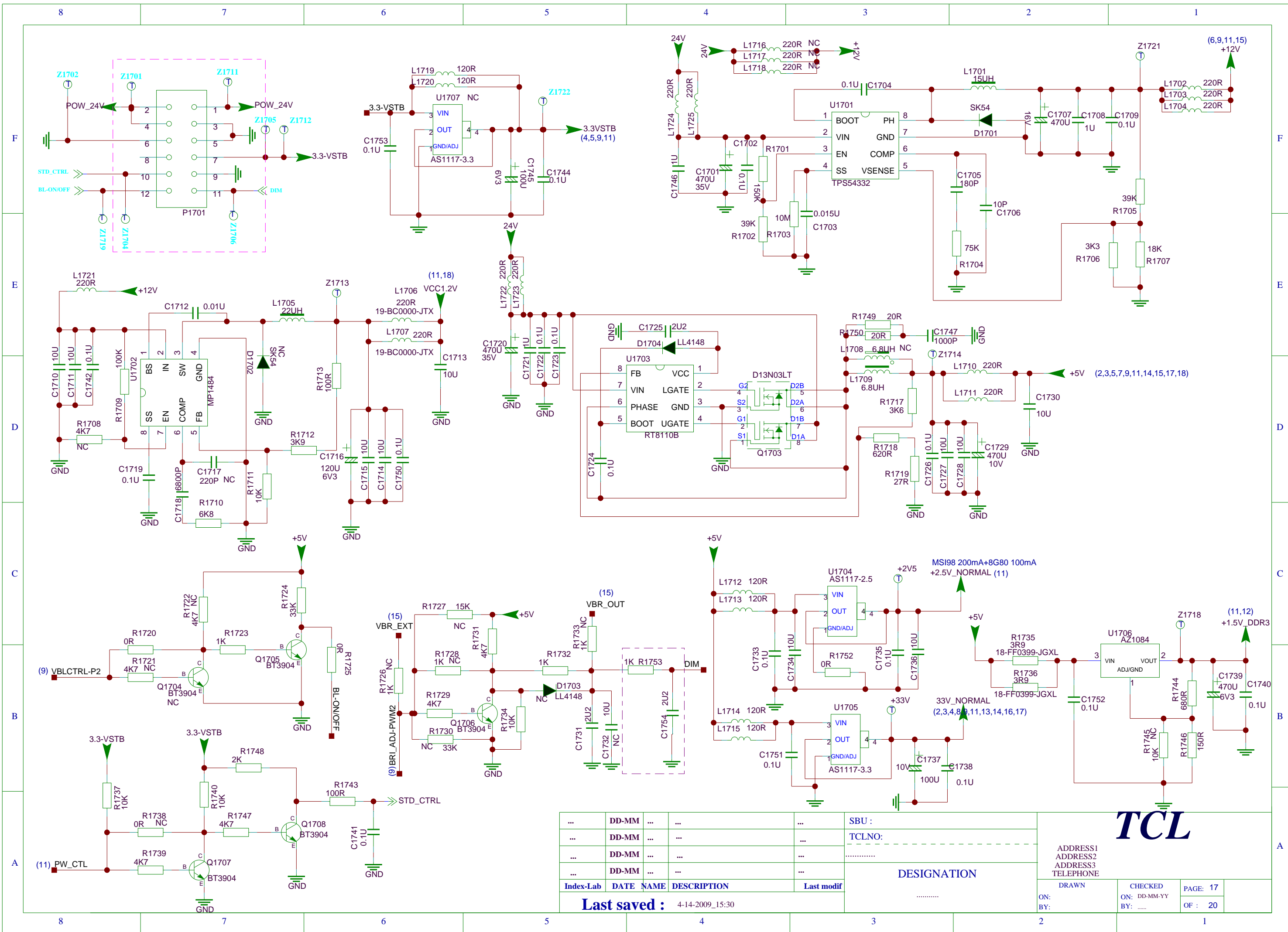
				SBU :		 TCL Thomson Electronics Singapore Pte. Ltd. 8 Jurong Town Hall Road #28-01/06 The JTC Summit SINGAPORE 609434 Tel (65) 63092900 Fax (65) 63092999		
				TCLNO: .....				
				<b>DESIGNATION</b>			DRAWN	
				DTV_TEAM			CHECKED	
							PAGE: 26	
							ON:	
							BY:	
							OF : 32	

Index-Lab	DATE	NAME	DESCRIPTION	Last modif
	7-27-2010			15:58

Last saved : 7-27-2010\_15:58

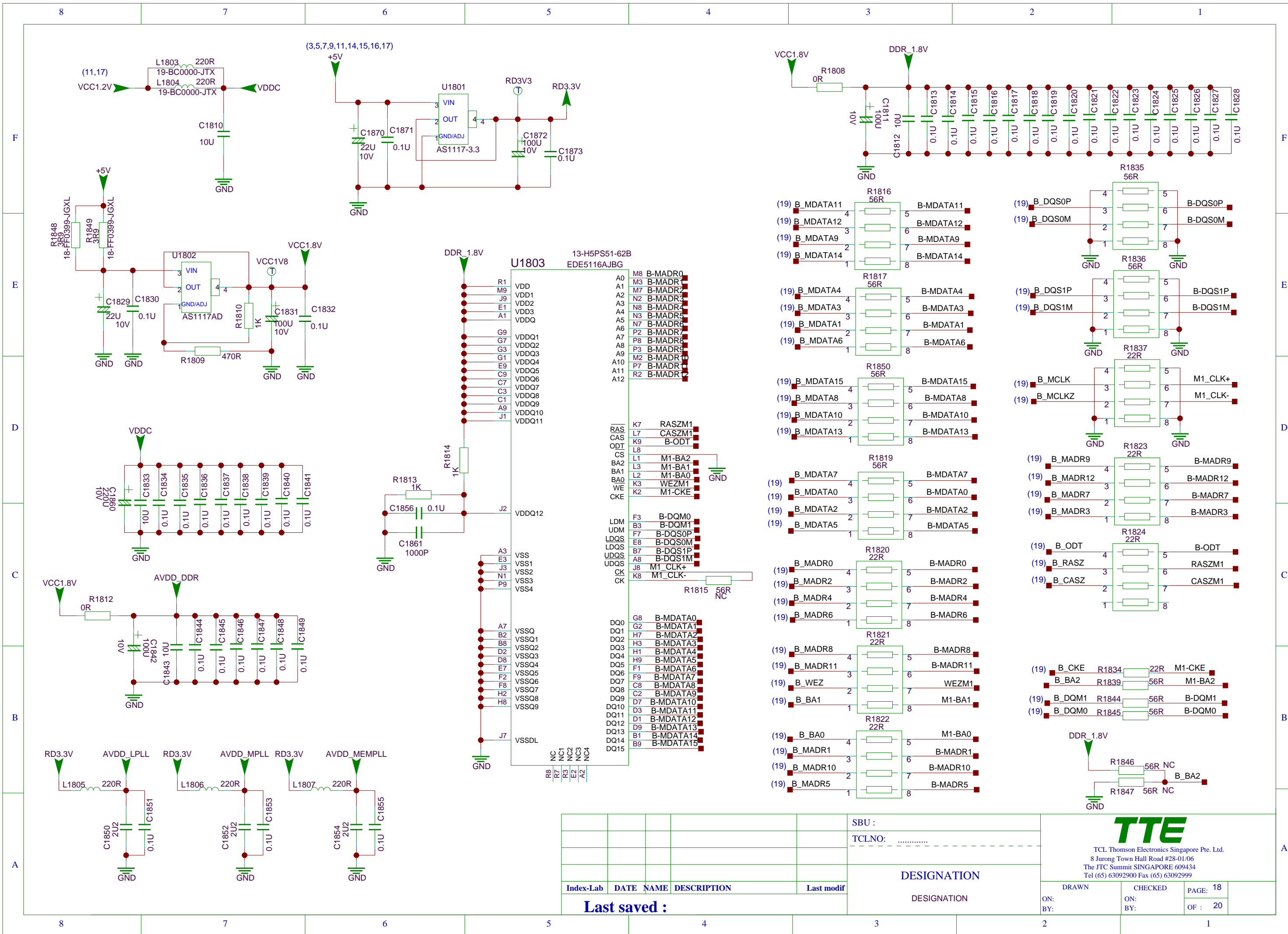


THIS DRAWING CANNOT BE COMMUNICATED TO UNAUTHORIZED PERSONS UNLESS PERMITTED IN WRITING



...	DD-MM	...	...	...	SBU :
...	DD-MM	...	...	...	TCLNO:
...	DD-MM	...	...	...	.....
...	DD-MM	...	...	...	DESIGNATION
Index-Lab	DATE	NAME	DESCRIPTION	Last modif	.....
Last saved : 4-14-2009_15:30					
					ADDRESS1 ADDRESS2 ADDRESS3 TELEPHONE
DRAWN		CHECKED		PAGE: 17	TCL
ON: BY:		ON: DD-MM-YY BY: .....		OF : 20	

THIS DRAWING CANNOT BE COMMUNICATED TO UNAUTHORIZED PERSONS UNLESS PERMITTED IN WRITING

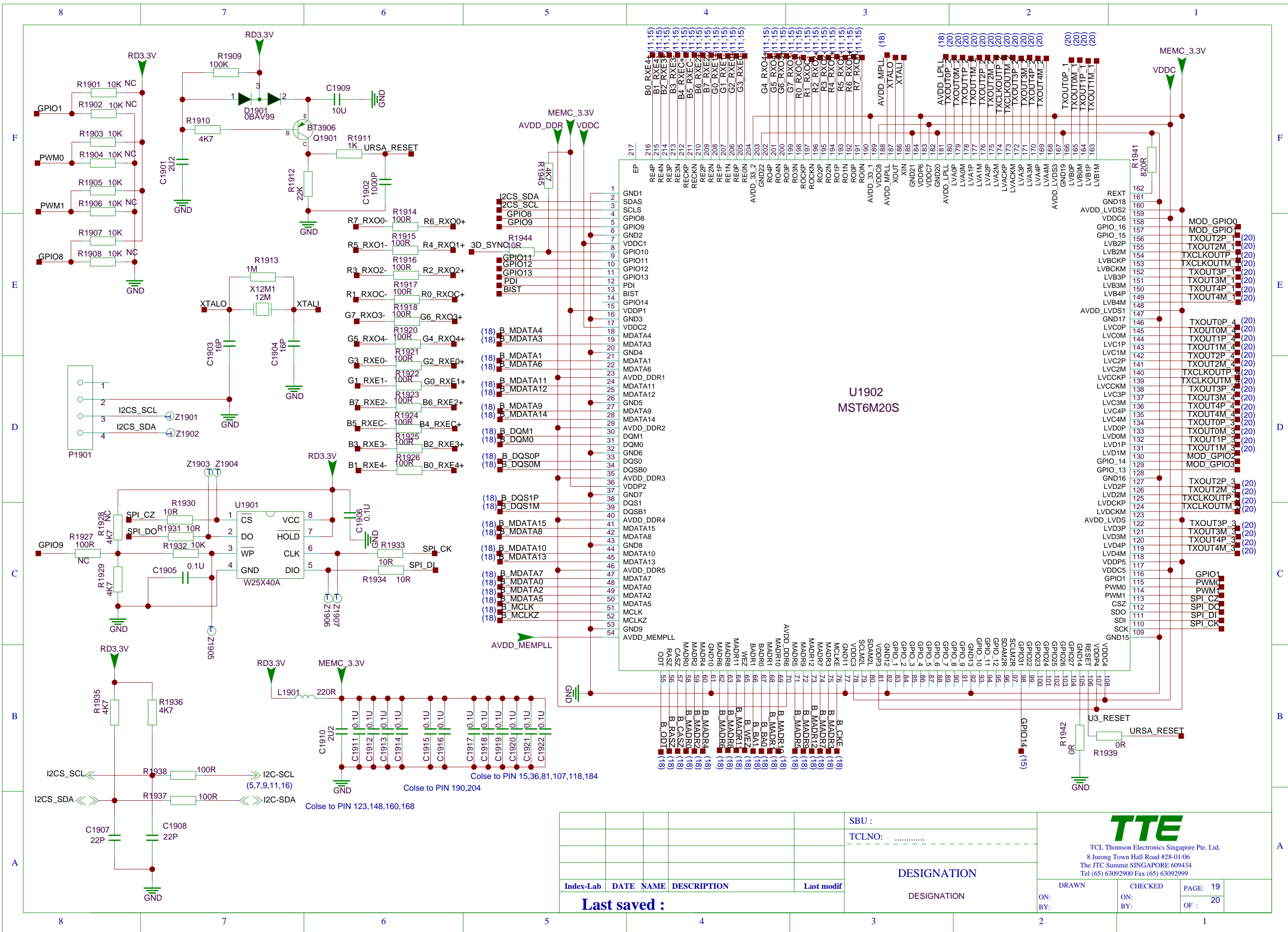


SBU :				DESIGNATION	
TCLNO: .....					
Last saved :				DESIGNATION	
Index-Lab	DATE	NAME	DESCRIPTION	Last modif	

**TTE**  
 TCL Thomson Electronics Singapore Pte. Ltd.  
 8 Jurong Town Hall Road #28-01/06  
 The JTC Summit SINGAPORE 609434  
 Tel (65) 63092900 Fax (65) 63092999

DRAWN	CHECKED	PAGE: 18
ON:	ON:	OF : 20
BY:	BY:	

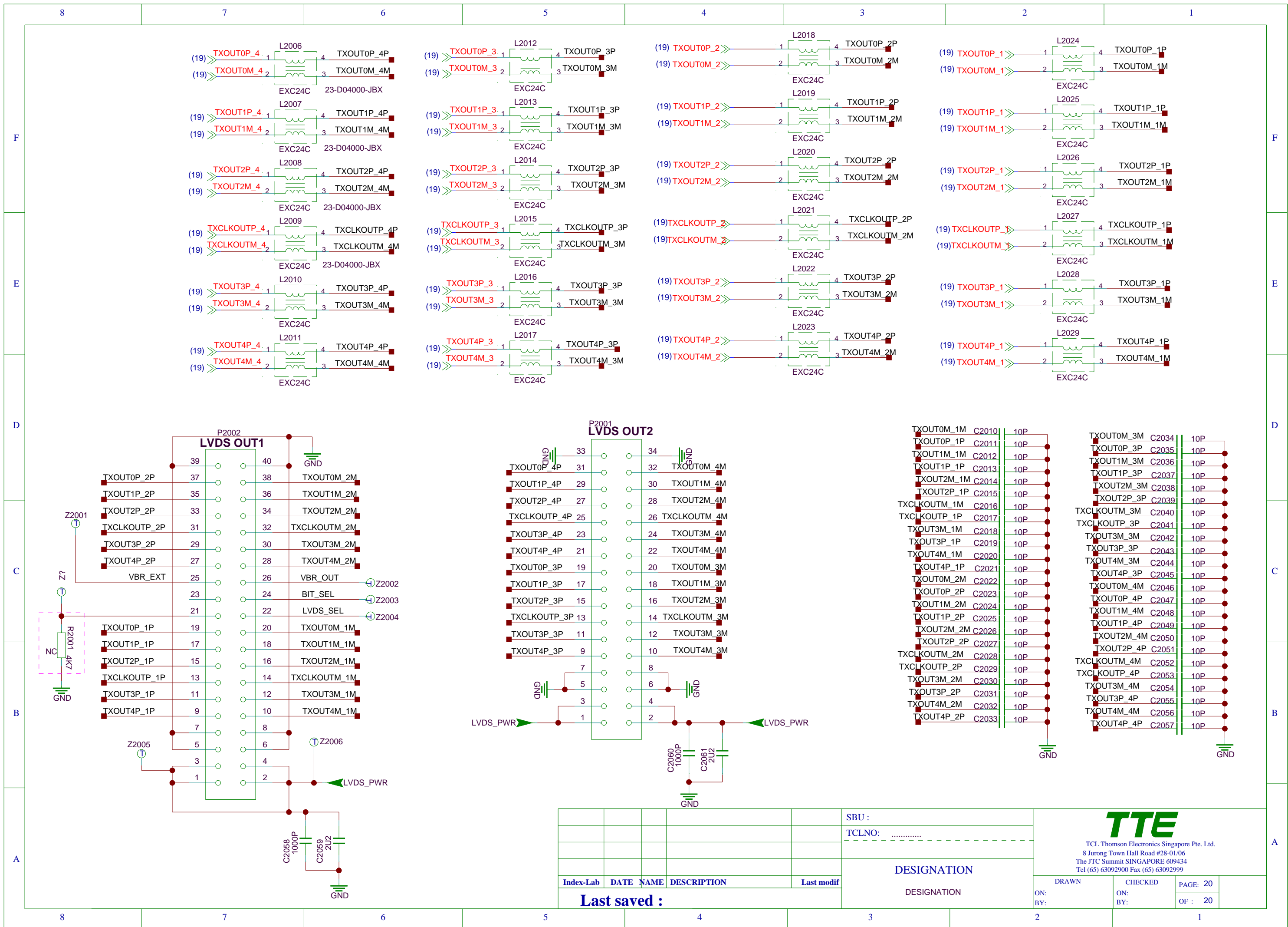
THIS DRAWING CANNOT BE COMMUNICATED TO UNAUTHORIZED PERSONS UNLESS PERMITTED IN WRITING



Index-Lab				DATE	NAME	DESCRIPTION	Last modif
Last saved :							
				SBU :			
				TCLNO: .....			
				DESIGNATION			
				DESIGNATION			
DRAWN		CHECKED		PAGE: 19			
ON:		ON:		OF : 20			
BY:		BY:					



THIS DRAWING CANNOT BE COMMUNICATED TO UNAUTHORIZED PERSONS UNLESS PERMITTED IN WRITING



Index-Lab	DATE	NAME	DESCRIPTION	Last modif
Last saved :				

SBU :  
 TCLNO: .....

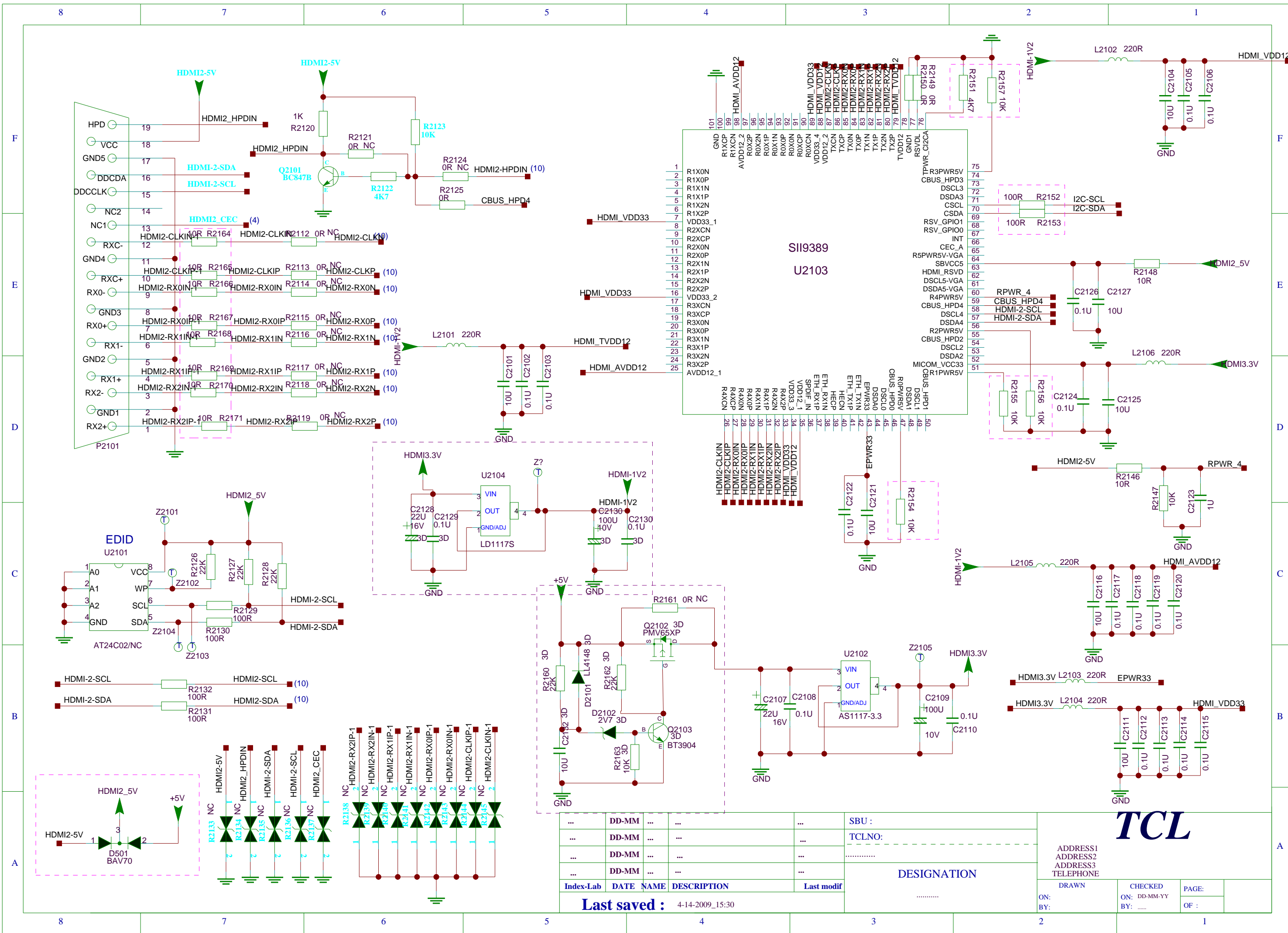
DESIGNATION  
 DESIGNATION



TCL Thomson Electronics Singapore Pte. Ltd.  
 8 Jurong Town Hall Road #28-01/06  
 The JTC Summit SINGAPORE 609434  
 Tel (65) 63092900 Fax (65) 63092999

DRAWN	CHECKED	PAGE: 20
ON:	ON:	OF : 20
BY:	BY:	

THIS DRAWING CANNOT BE COMMUNICATED TO UNAUTHORIZED PERSONS UNLESS PERMITTED IN WRITING



ADDRESS1  
ADDRESS2  
ADDRESS3  
TELEPHONE

DRAWN  
ON: BY:

CHECKED  
ON: DD-MM-YY  
BY: .....

PAGE:  
OF :