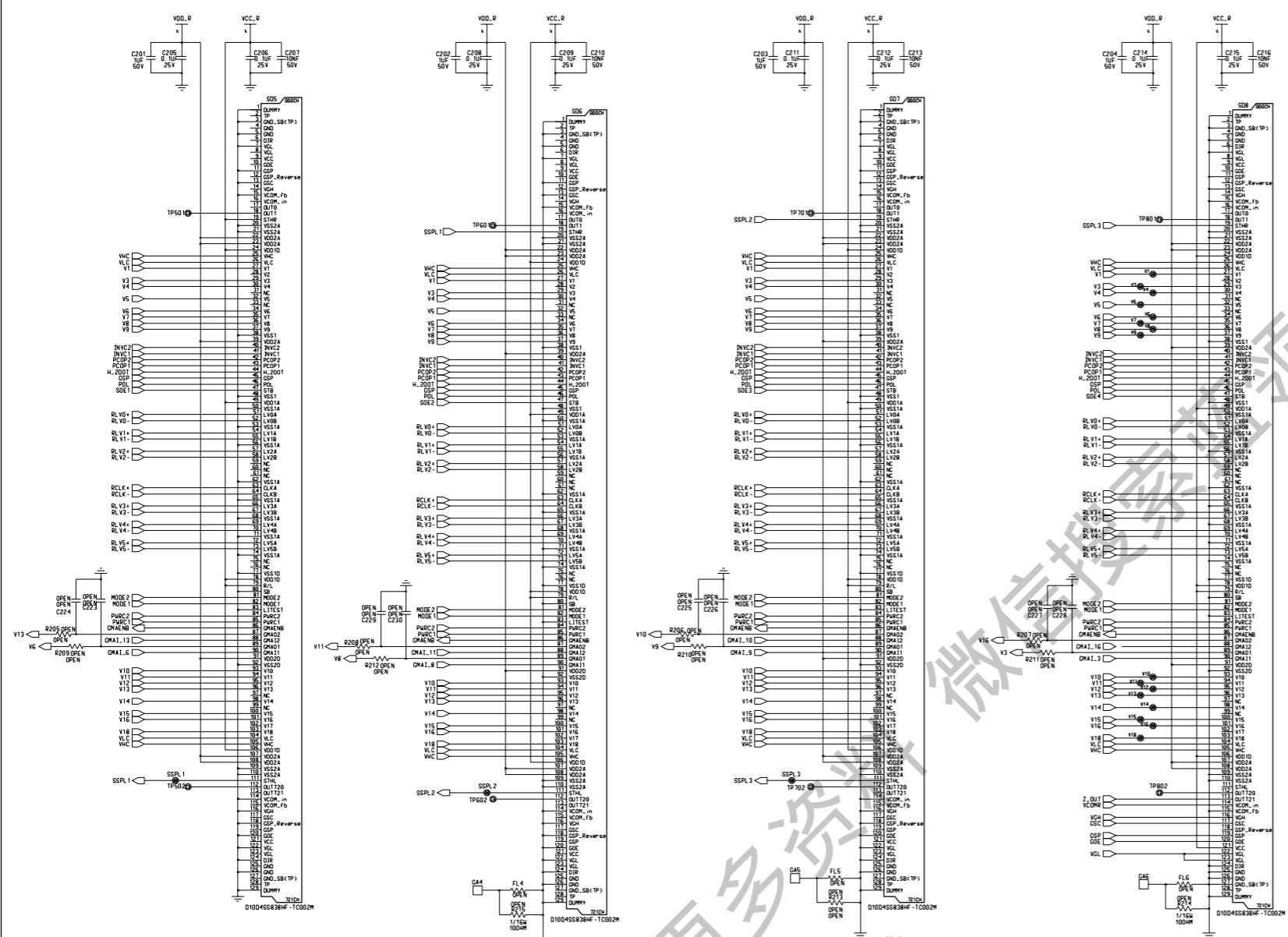
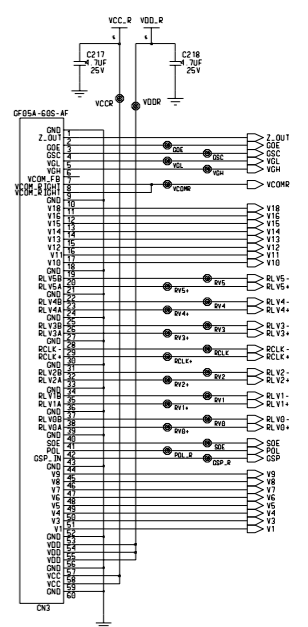


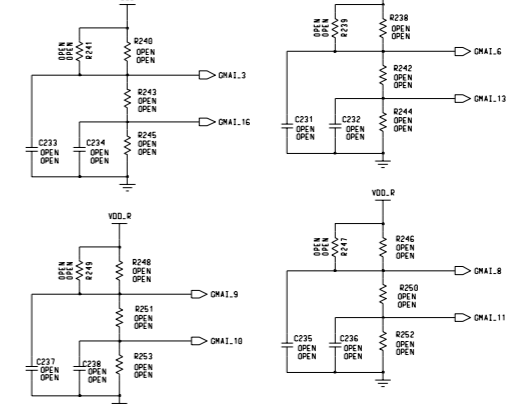
LC420WUN-SAA1-G31
 SOURCE LEFT SCHEMATIC



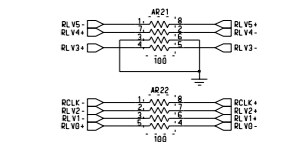
- [H_2DOT] : INVERSION SELECT CONTROL
L : Horizontal 2 Dot inversion Disable
H : Horizontal 2 Dot inversion Enable
- [SB] : Bus-Line Set-Back Selection
L : D0(+)=>D7(-) H : D7(-)=>D0(+)
- [RL] : Data Latch direction Control
L : 720,719 => 2,1 H : 1,2 => 719, 720
- [DIR] : Data Shift direction Control
L : D102 =>X270 =>X1=> D101
H : D101 =>X1 =>X270=> D102
- [PWRC] : Output buffer power Control
HH : Maximum, HL : Medium Large, LH : Medium Small, LL : Minimum
- [PCOP] : Pre-charge width select
HH : 320clk, HL : 240clk, LH : 160clk, LL : 80clk
- [MODE] : Output operation Control
HH : H-1,2, HL LH : Charge Sharing, LL : Pre-charge
- [GMAENB] : Gamma buffer enable Selection
H : Disable, L : Enable



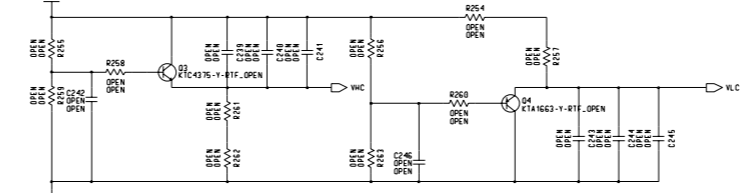
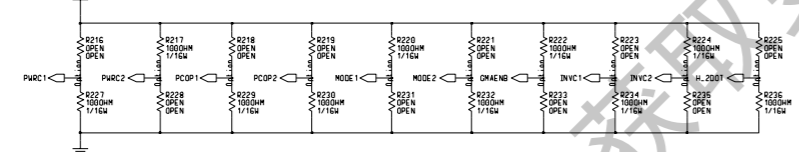
Gamma Reference



Mini-LVDS Termination



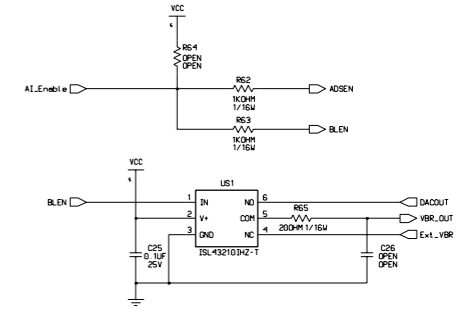
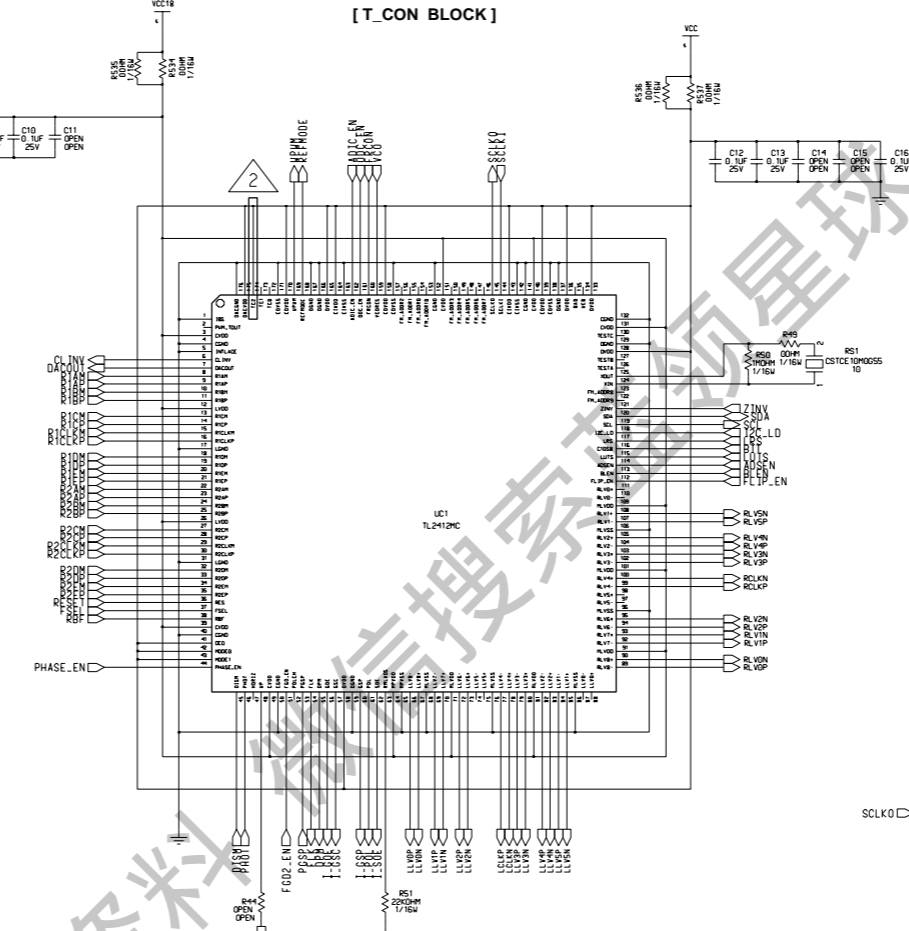
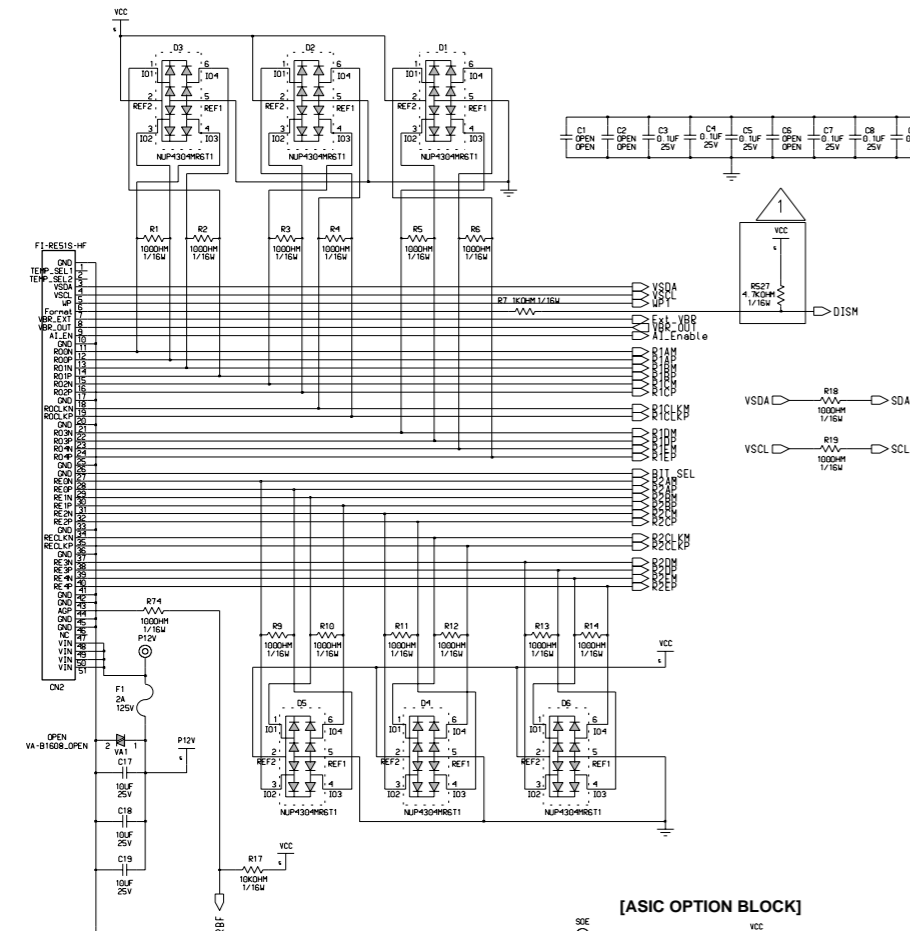
SOURCE D-IC OPTION



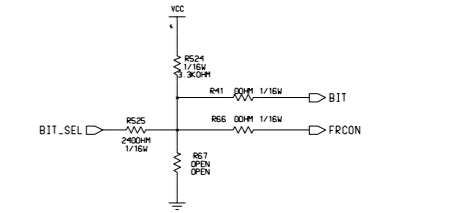
[USER CONNECTOR]

[T_CON BLOCK]

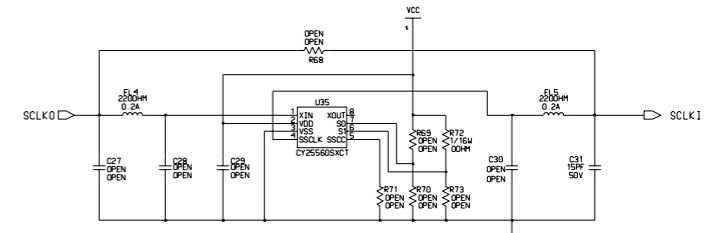
[AI I/F BLOCK]



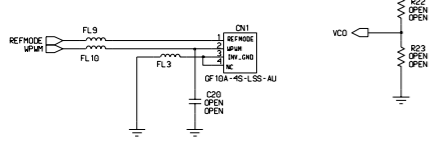
[BIT & FRC selection]



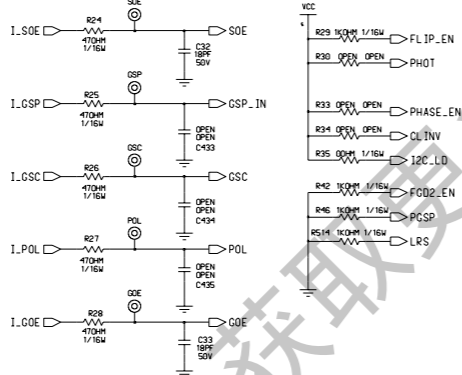
[SPREAD SPECTRUM]



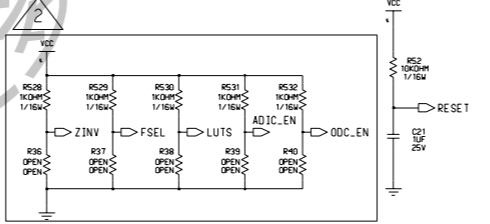
[INVERTER SYNC CONNECTOR]



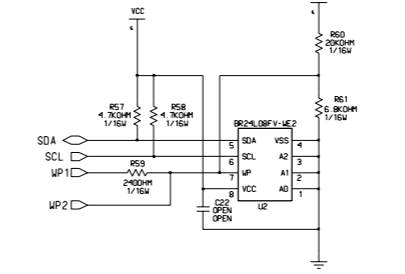
[ASIC OPTION BLOCK]



[T_CON RESET BLOCK]



[EEPROM BLOCK]



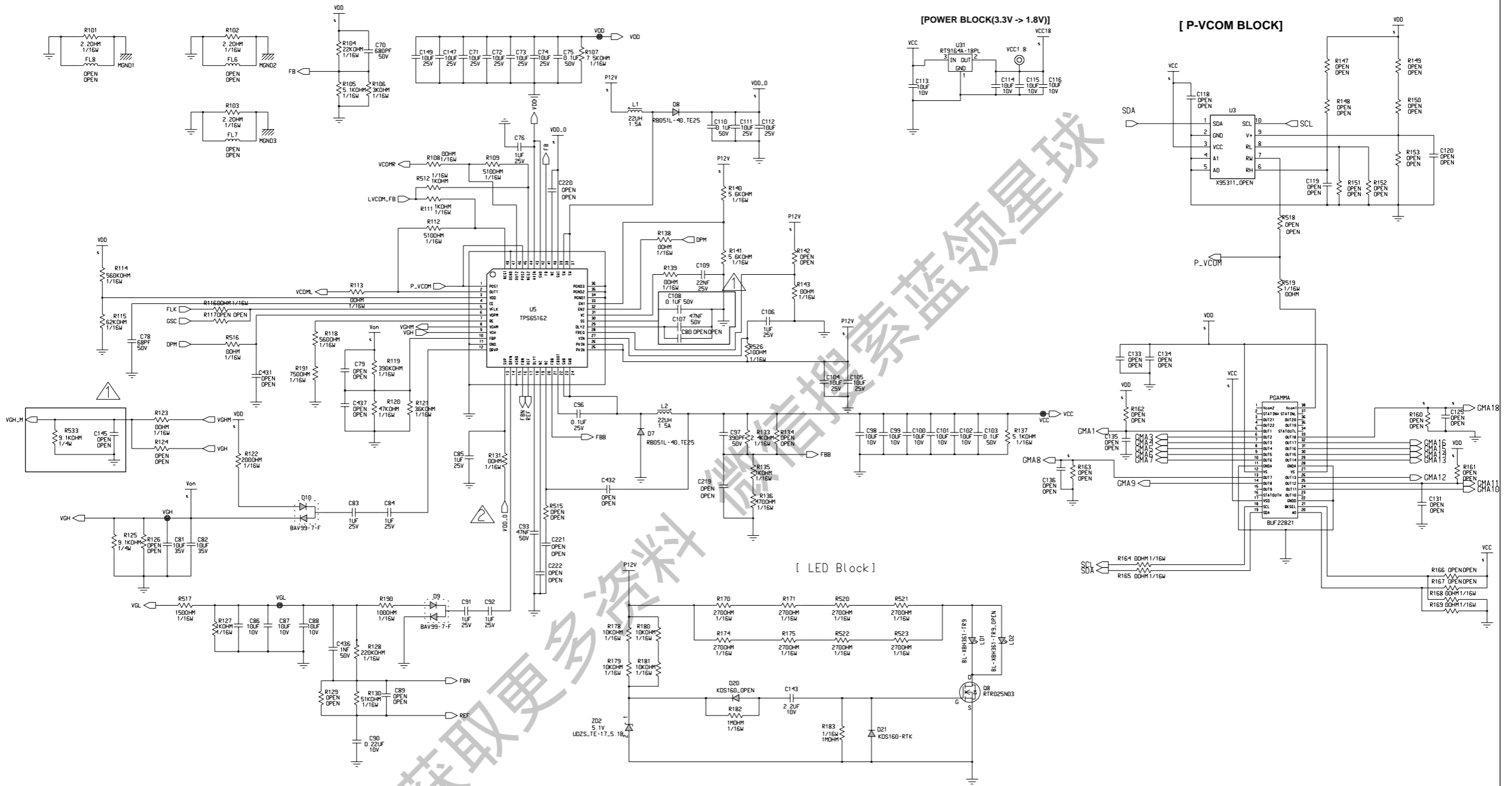
[MECH_CIRCUIT_GND BLOCK]

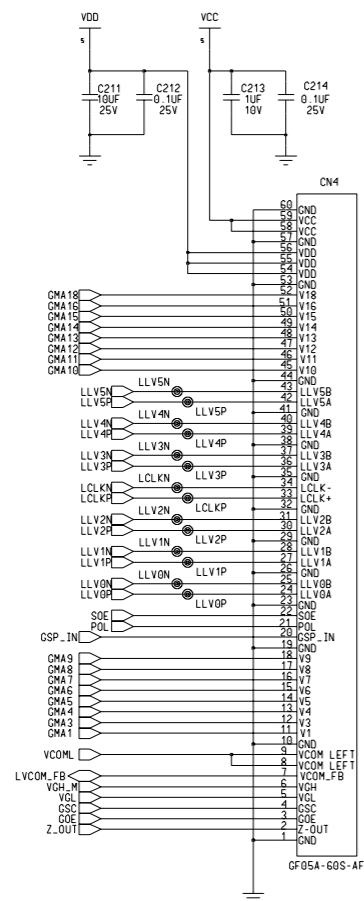
[POWER BLOCK]

[POWER BLOCK(3.3V -> 1.8V)]

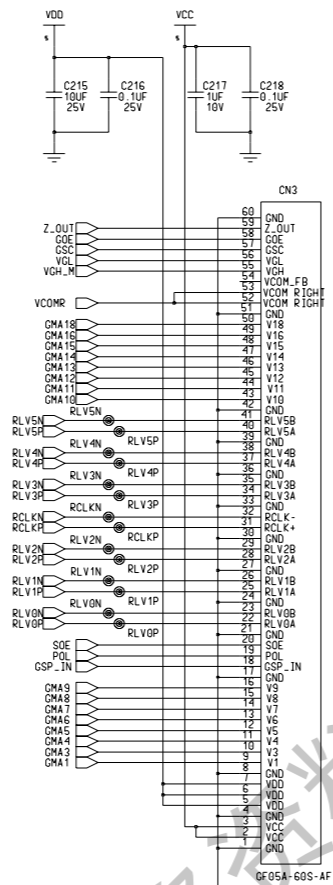
[P-VCOM BLOCK]

[LED Block]





[CONTROL-SOURCE LEFT CONNECTOR]

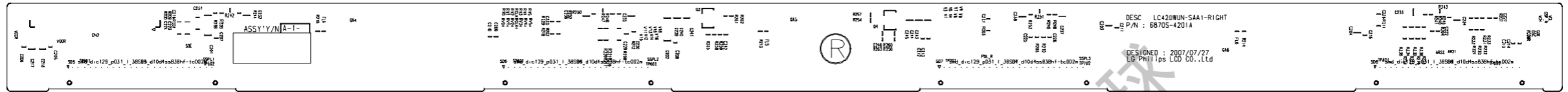


[CONTROL-SOURCE RIGHT CONNECTOR]

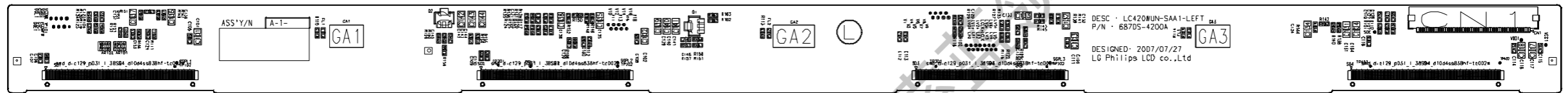
获取更多资料 微信搜索 蓝领星球

Printed Circuit Board / 회로기판

SOURCE(Right_Top)



SOURCE(Left_Top)



Control(Top)

