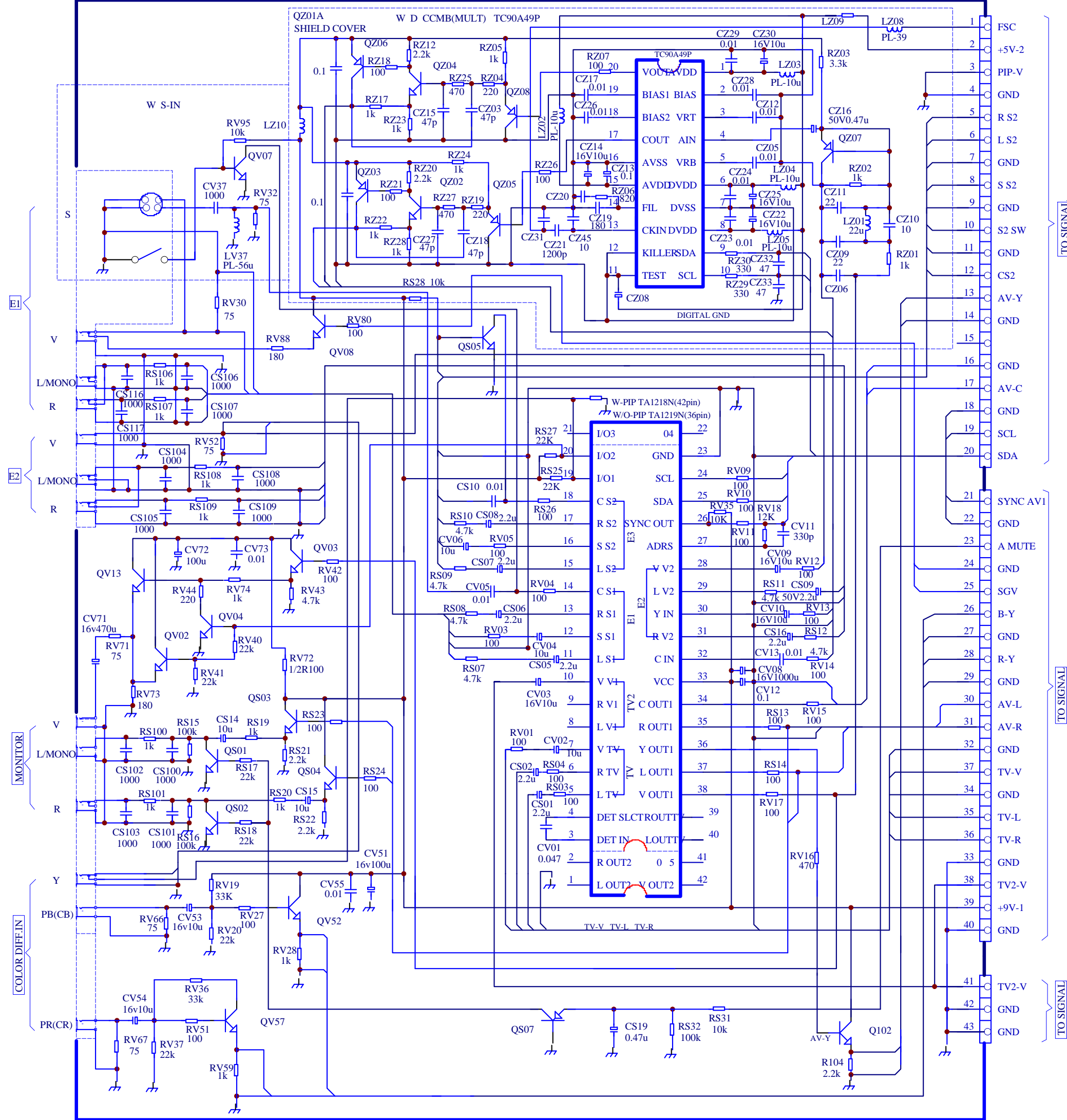


U003 AV/D-COMB BOARD



U005 CRT-D/VM BOARD

