

SKYWORTH ELECTRONICS

CO. LTD

TITLE: SCHEMATIC DIAGRAM

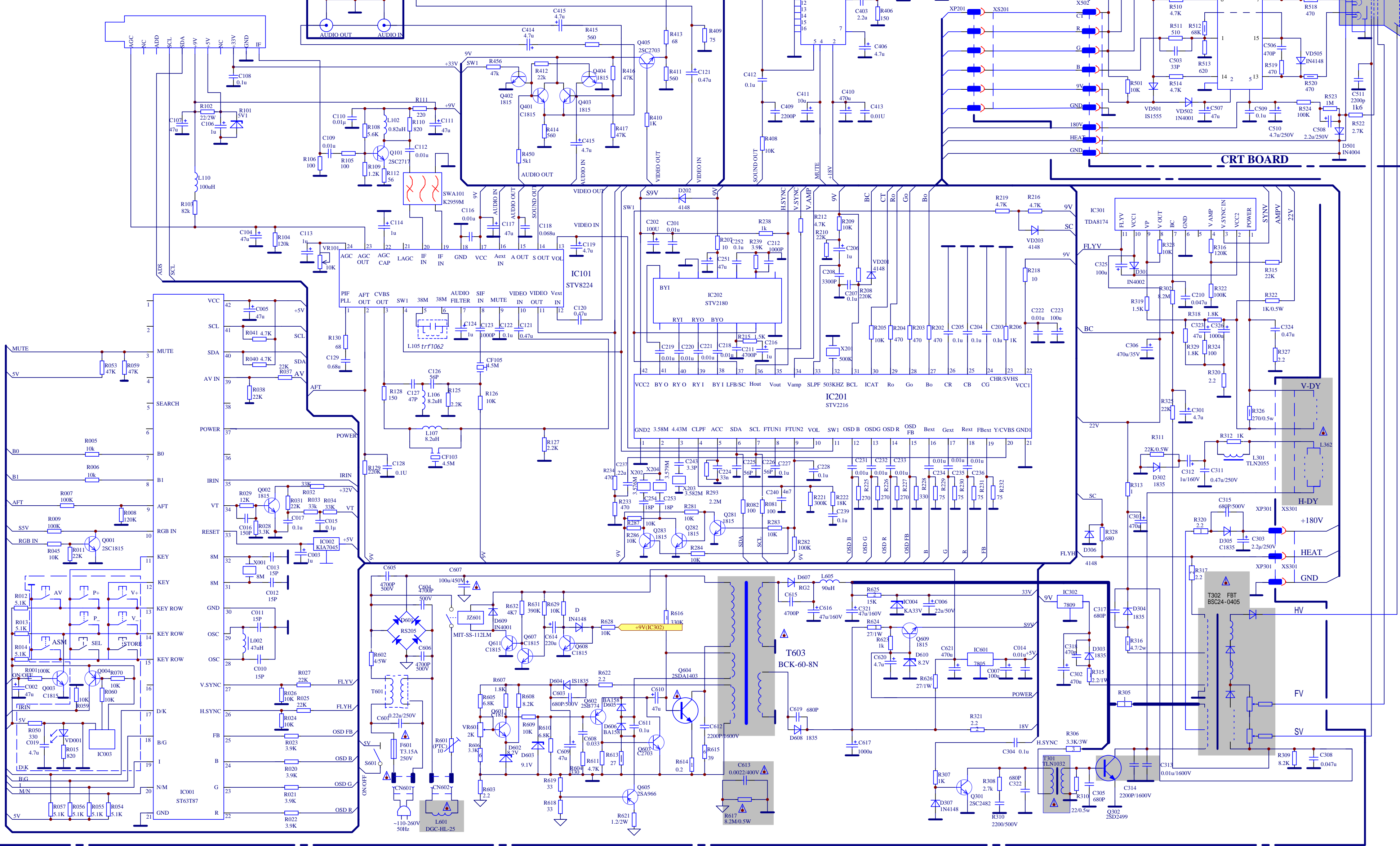
BOM NO: 4S30

SYSTEM:

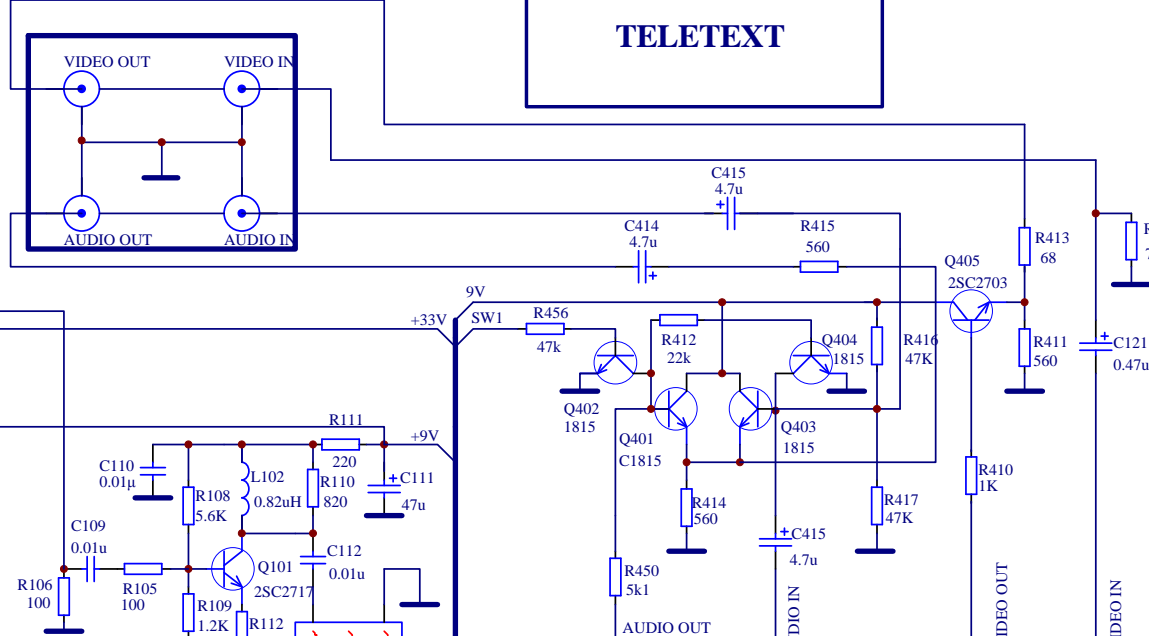
P/N:

REV DATE: 18 DEC 2000

MAIN BOARD



TELETEXT



CRT BOARD

