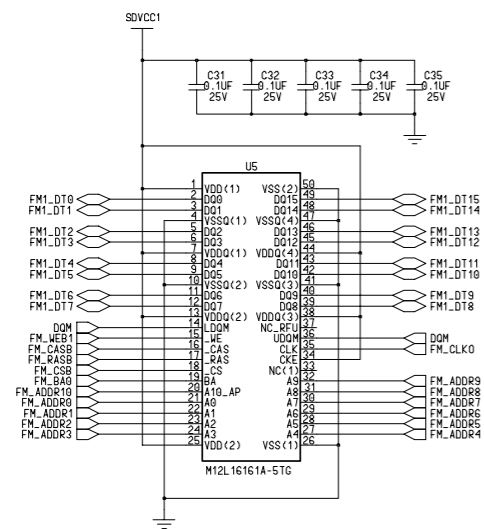
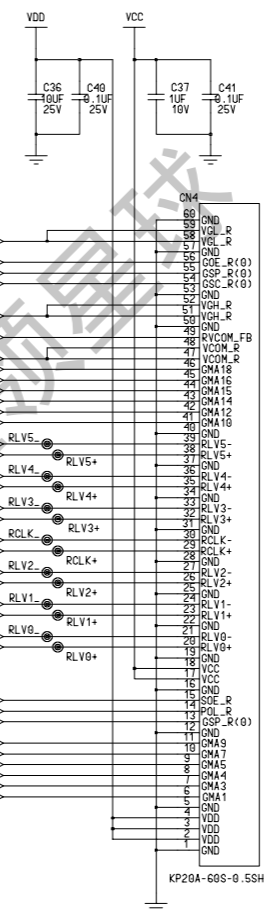
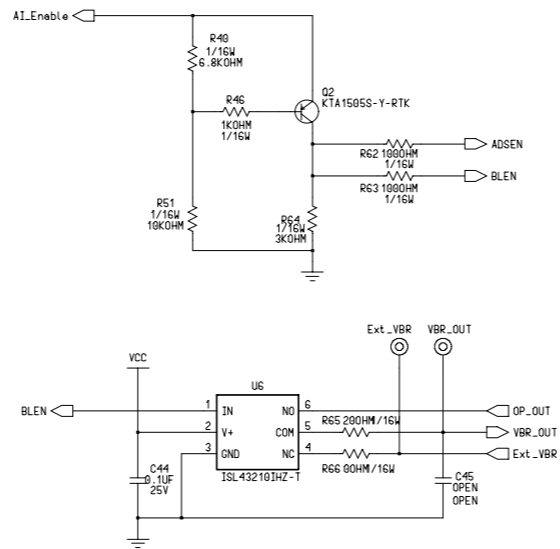


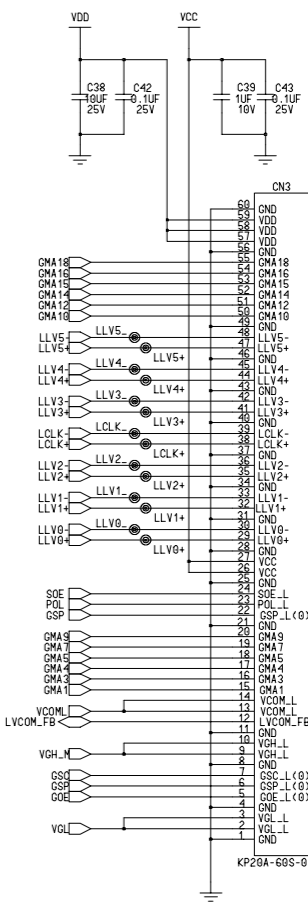
[SDRAM I/F BLOCK]



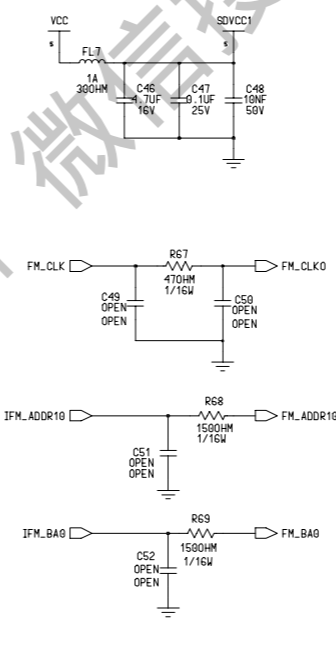
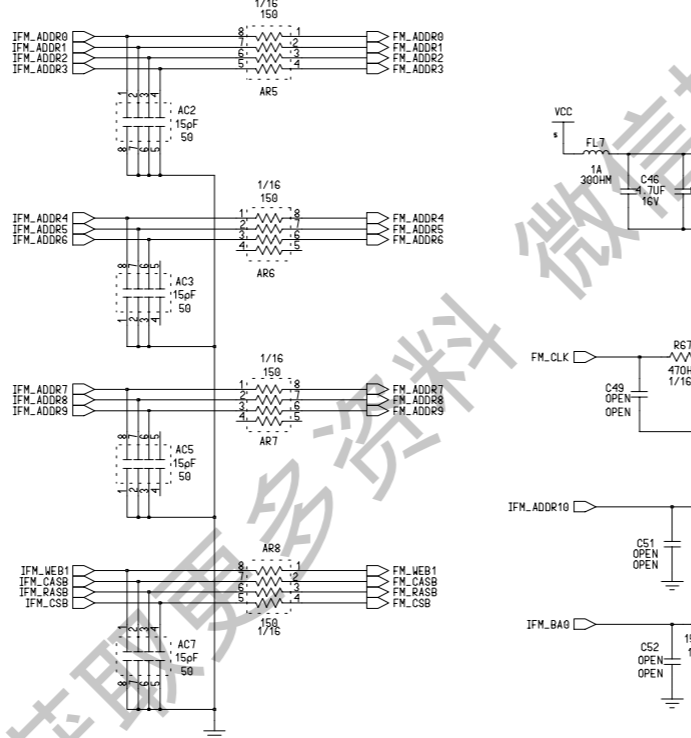
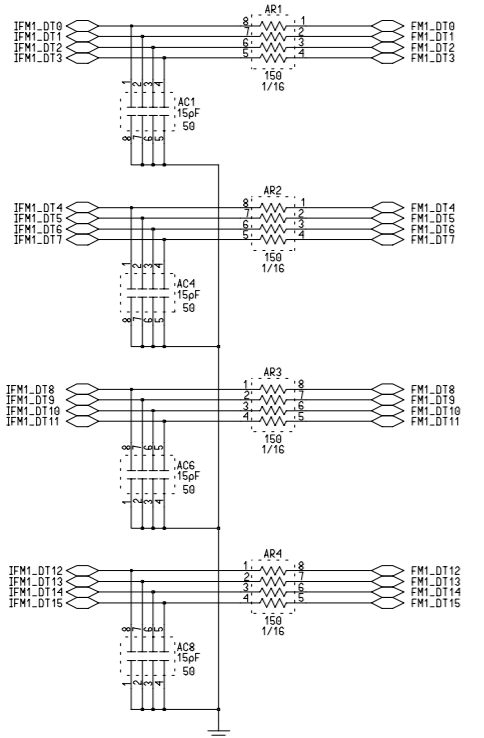
[AI I/F BLOCK]

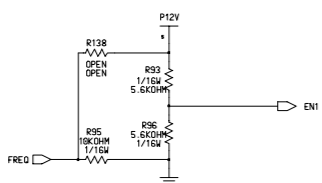
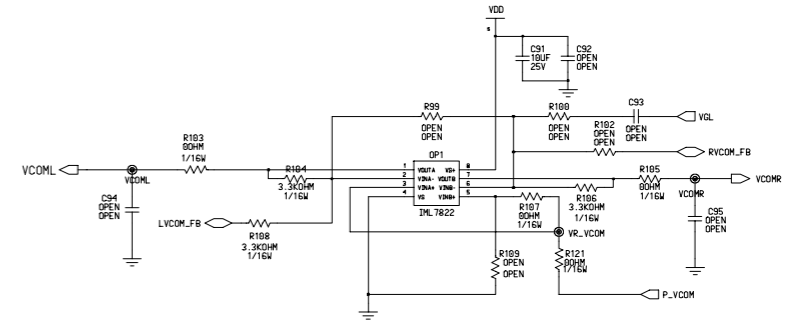
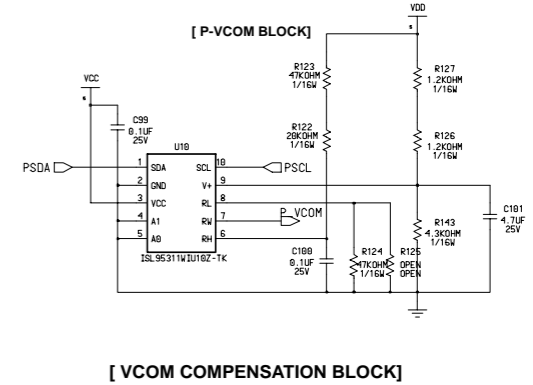
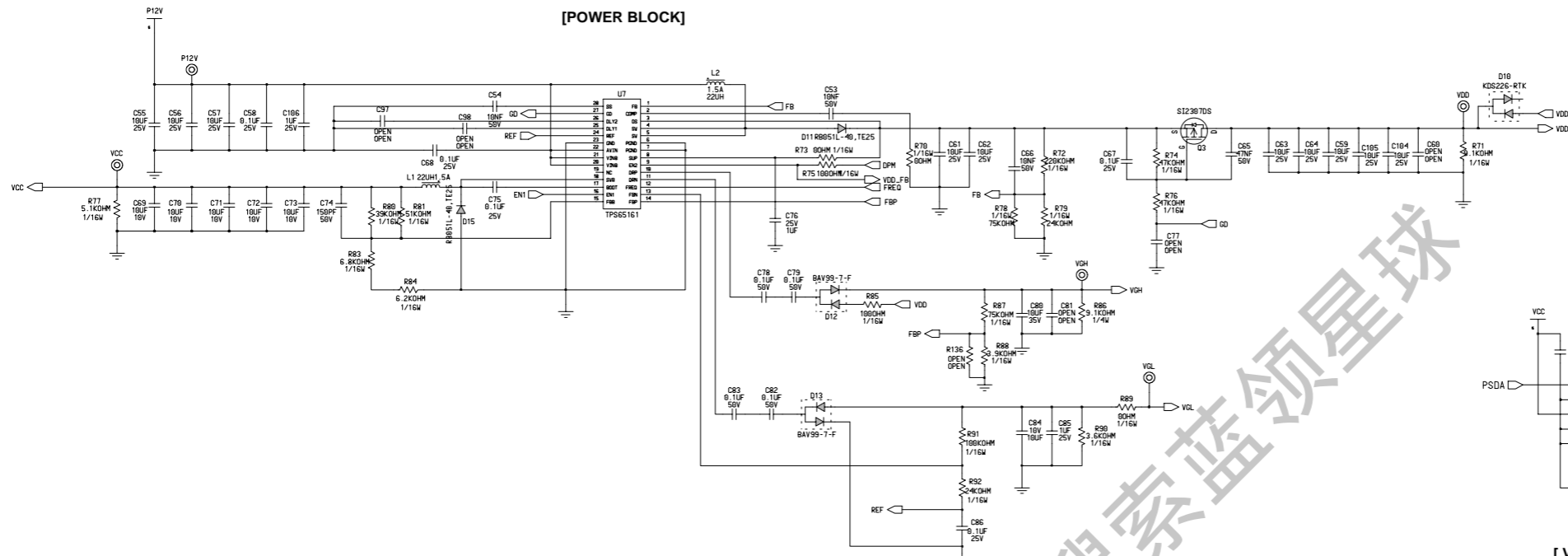


[CONTROL-SOURCE RIGHT CONNECTOR]

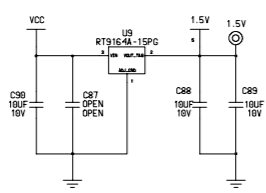


[CONTROL-SOURCE LEFT CONNECTOR]

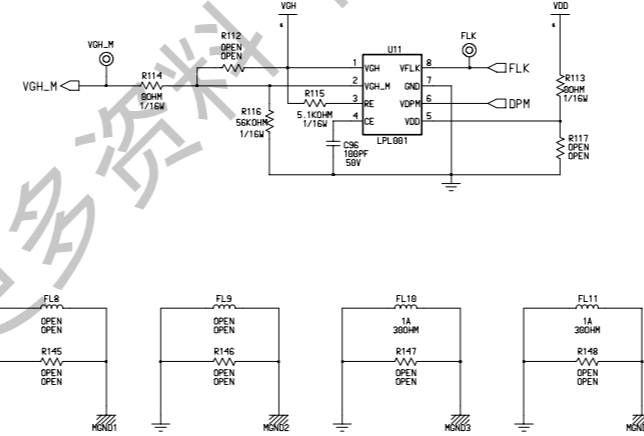




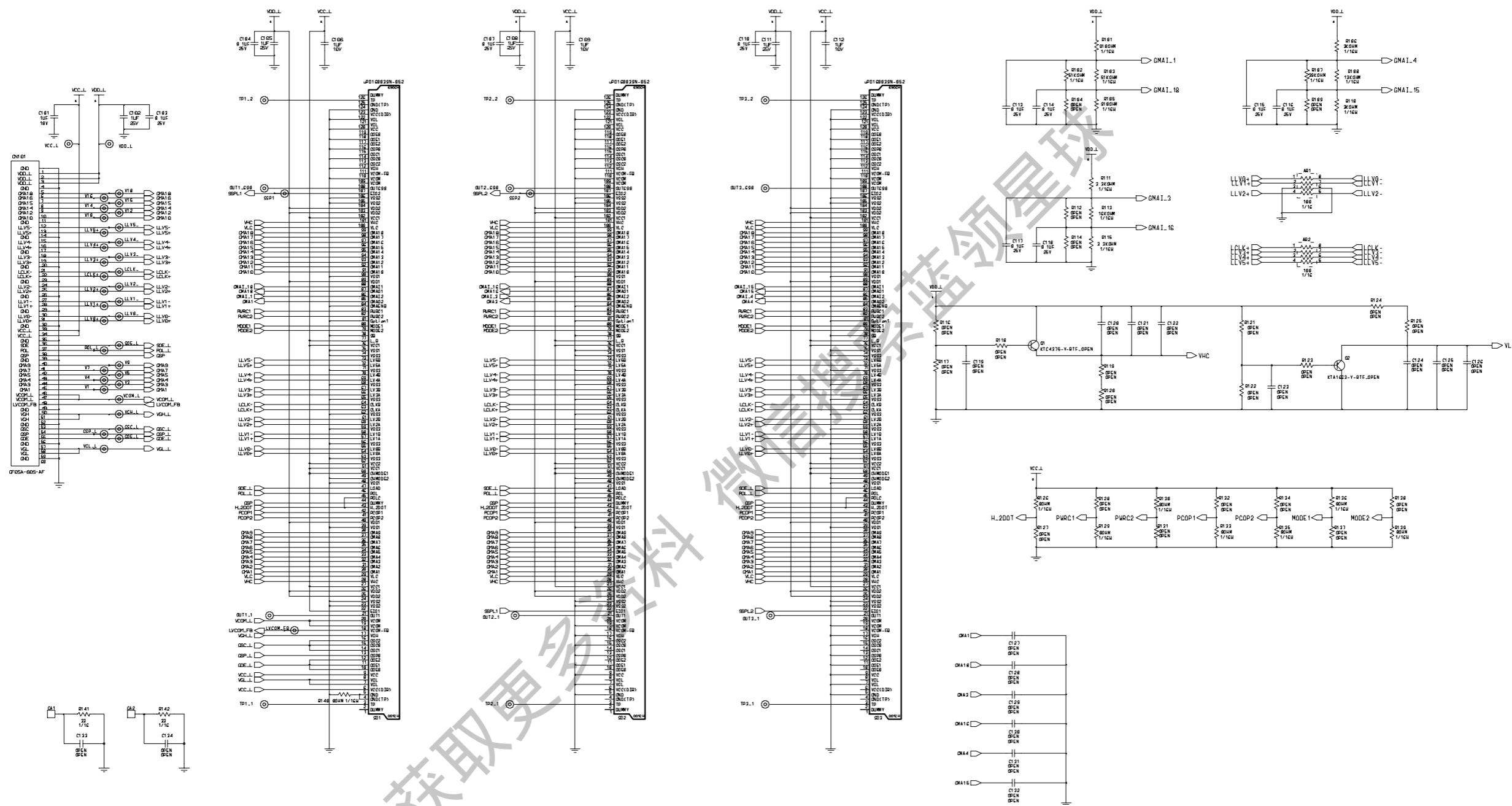
[POWER BLOCK(3.3V->1.5V)]



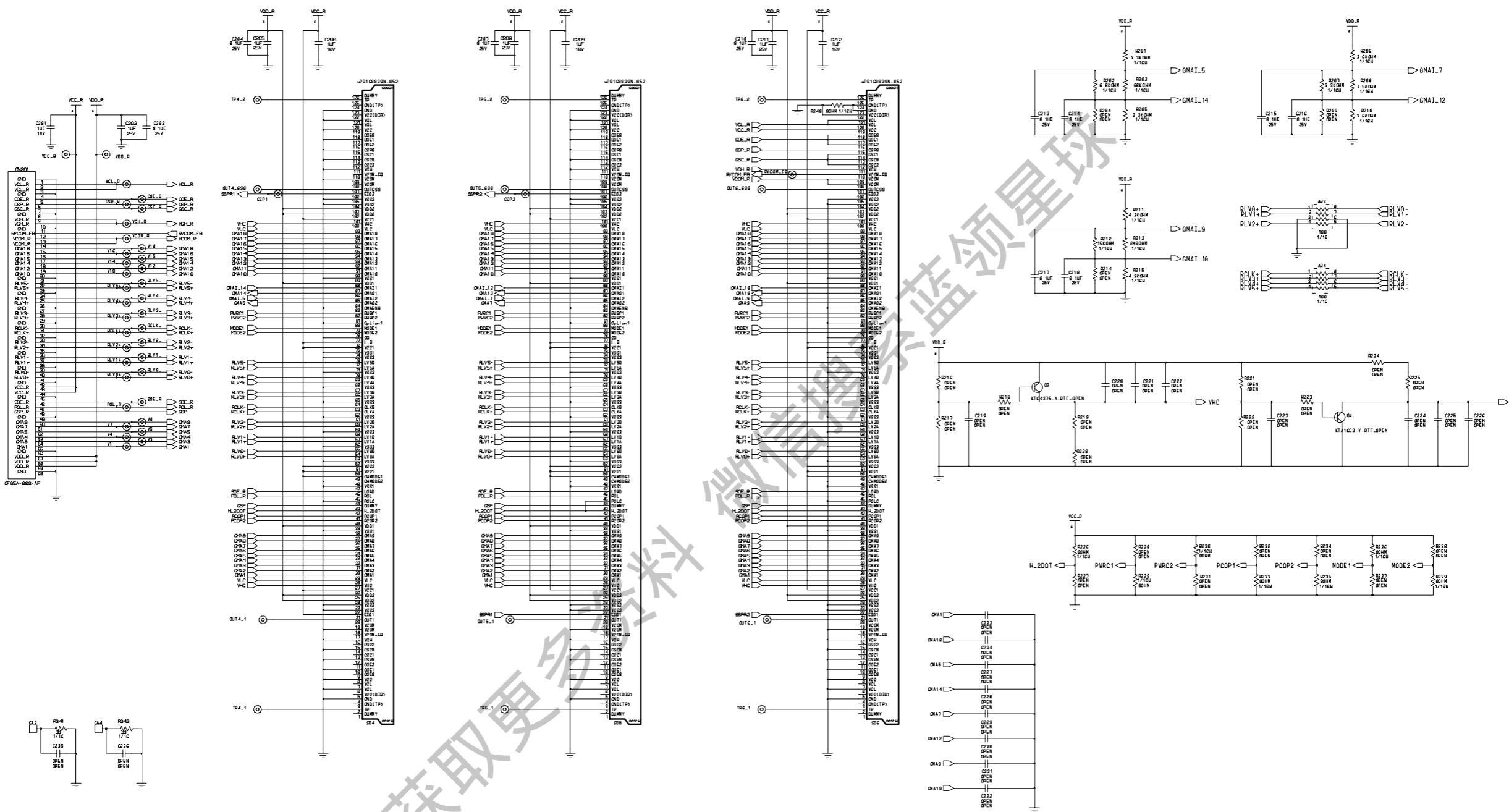
[VGH MODULATION]



获取更多资料 微信搜索 蓝领星球



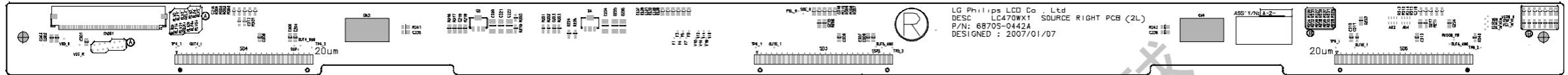
SOURCE LEFT PWB
 LC470WX1-SLA1-G31
 6870S-0441A



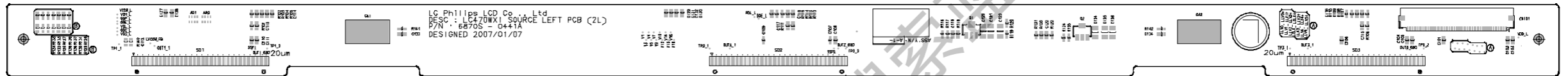
获取更多资料

Printed Circuit Board / 회로기판

SOURCE(Right_Top)



SOURCE(Left_Top)



Control(Top)

