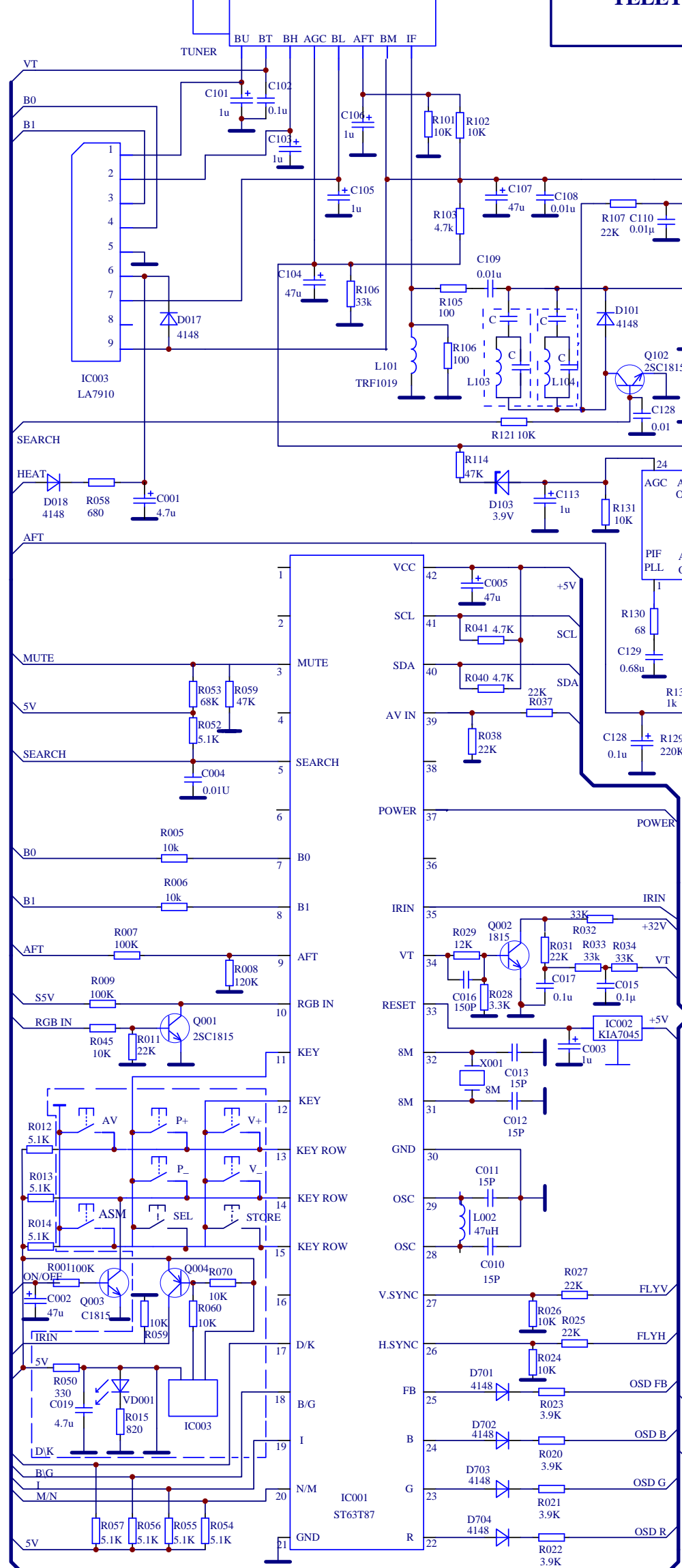


SKYWORTH ELECTRONICS

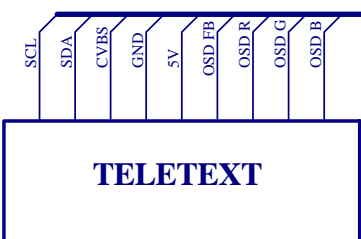
CO. LTD

TITLE:	SCHEMATIC DIAGRAM
BOM NO:	DIGITAL 4S02-3008
SYSTEM:	PAL/SCAME/DK/NTSC
P/N:	0502-212805-01
REV DATE:	9 MAY 1998

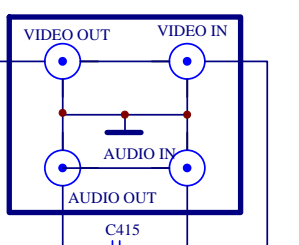
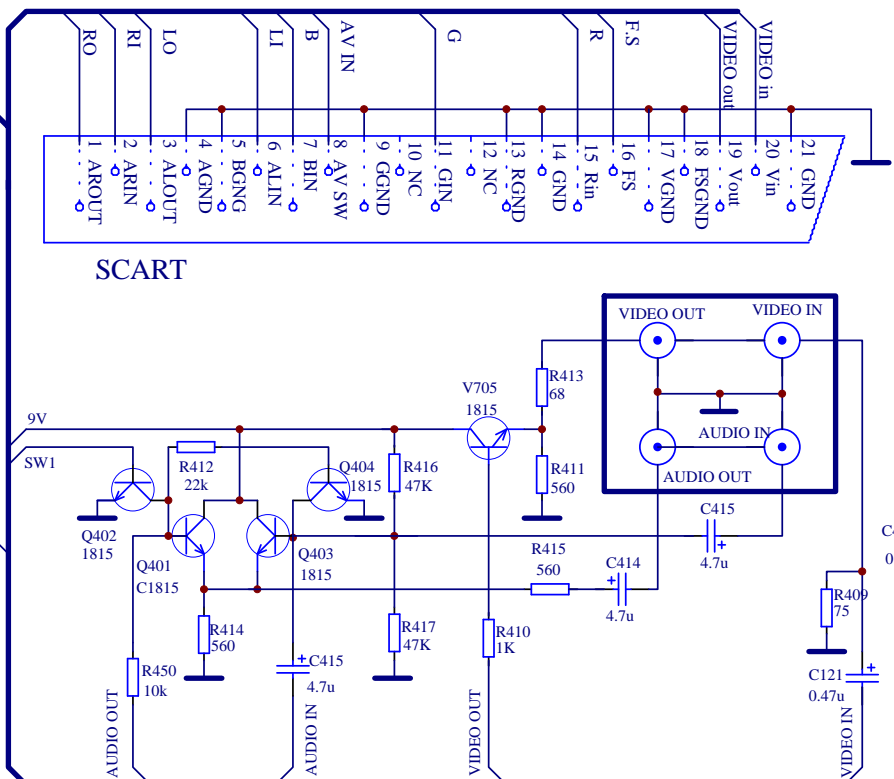
MAIN BOARD



TELETEXT



SCART



CRT BOARD

