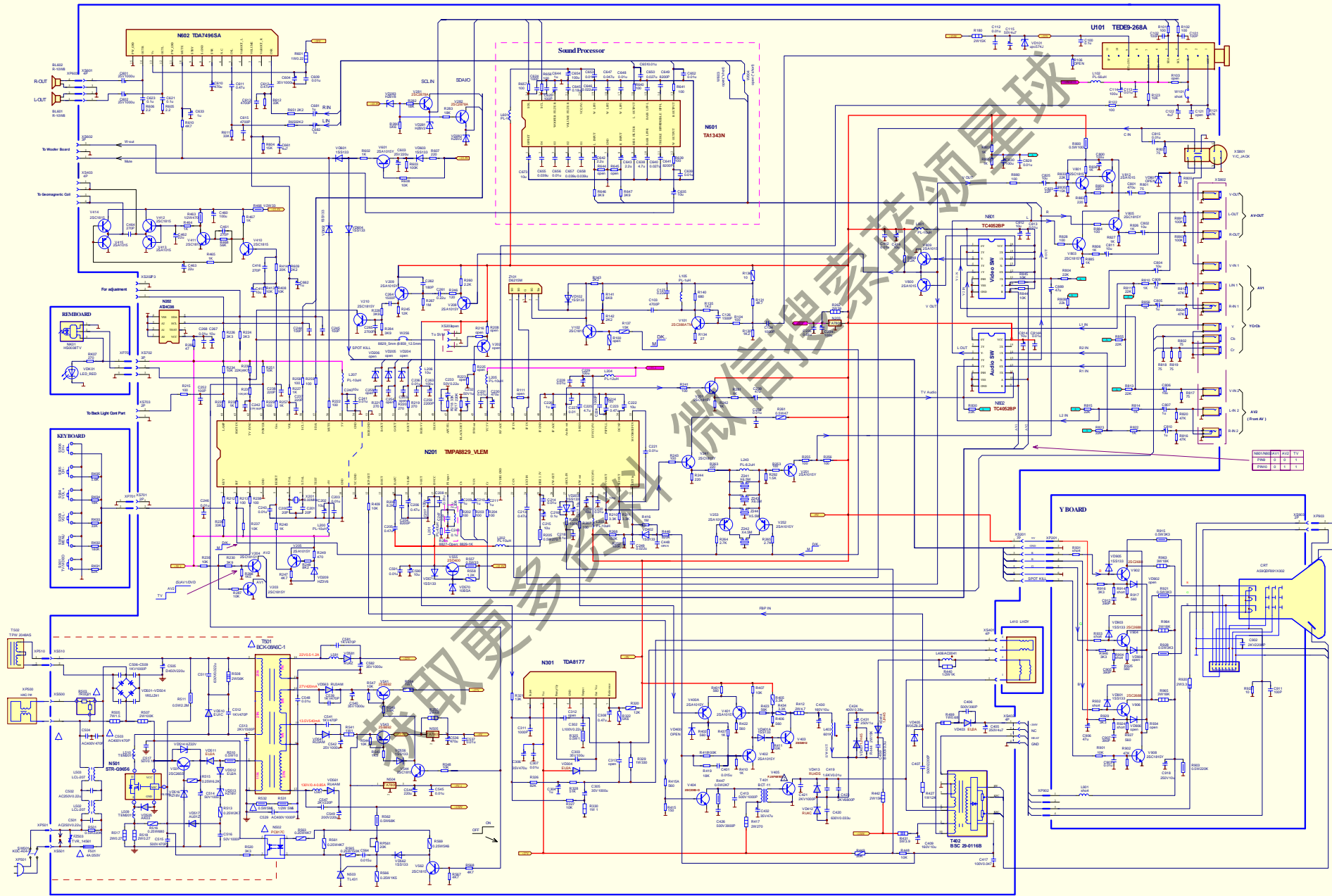


Haier_LEM-2_8829(8859)_Ref_Chassis



Only Reference

TMP8829 + TD47496
Ver: 1.2 2004-4-23