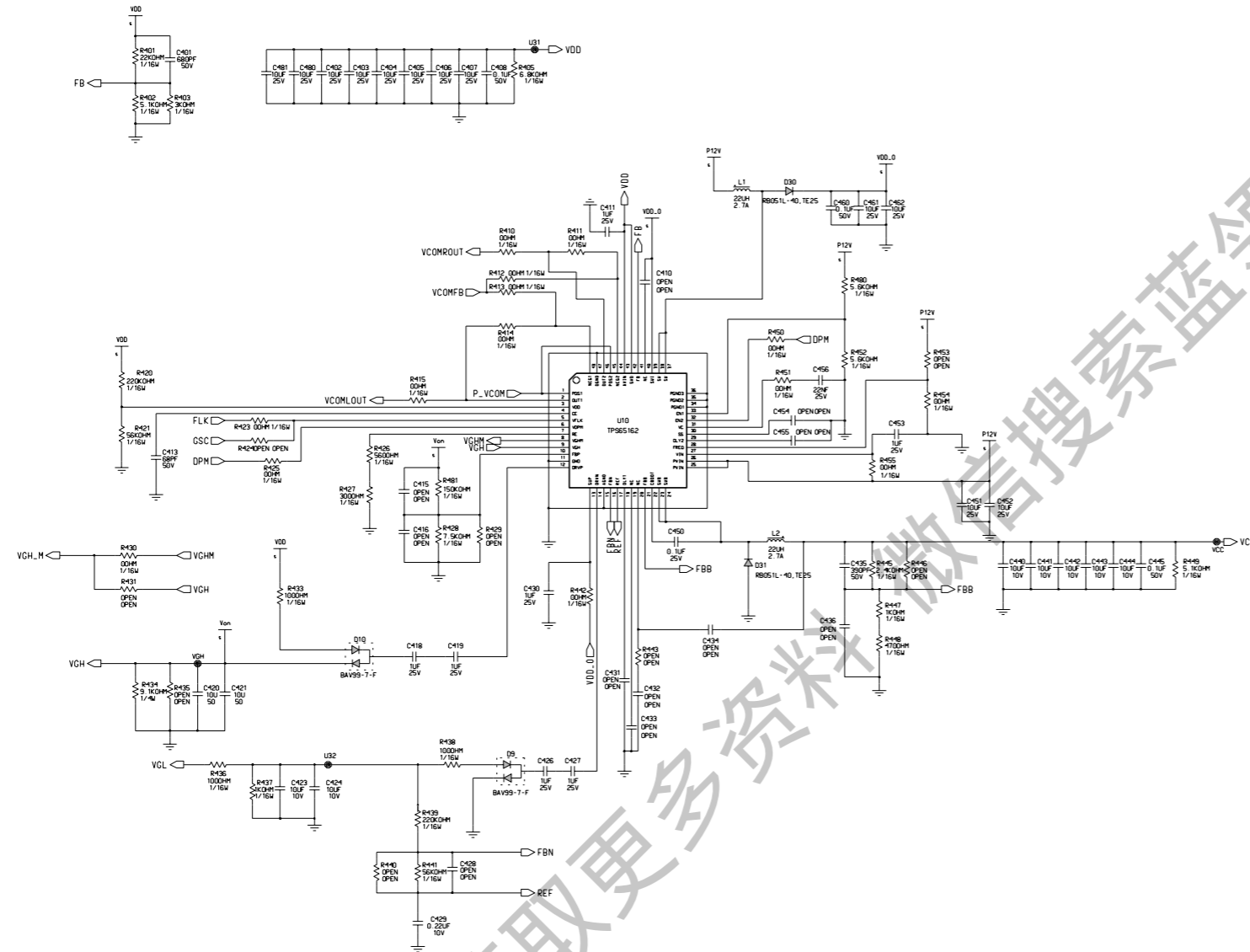
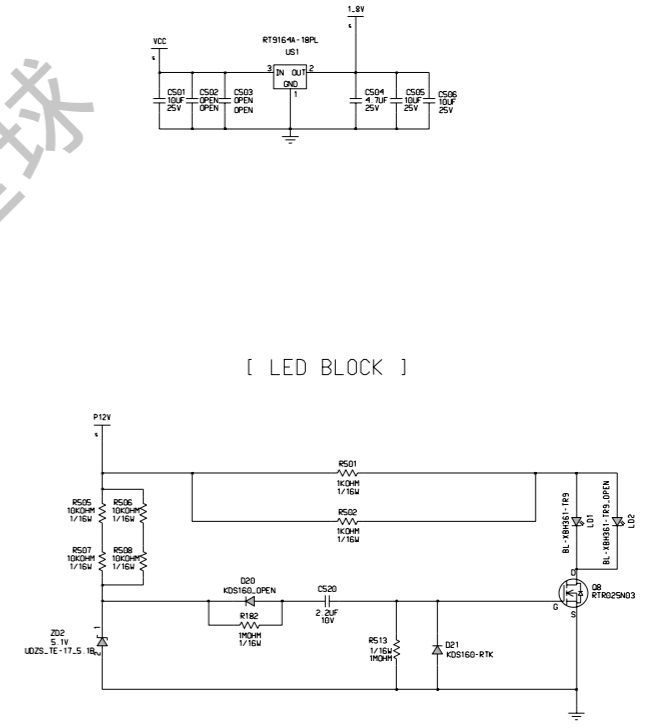


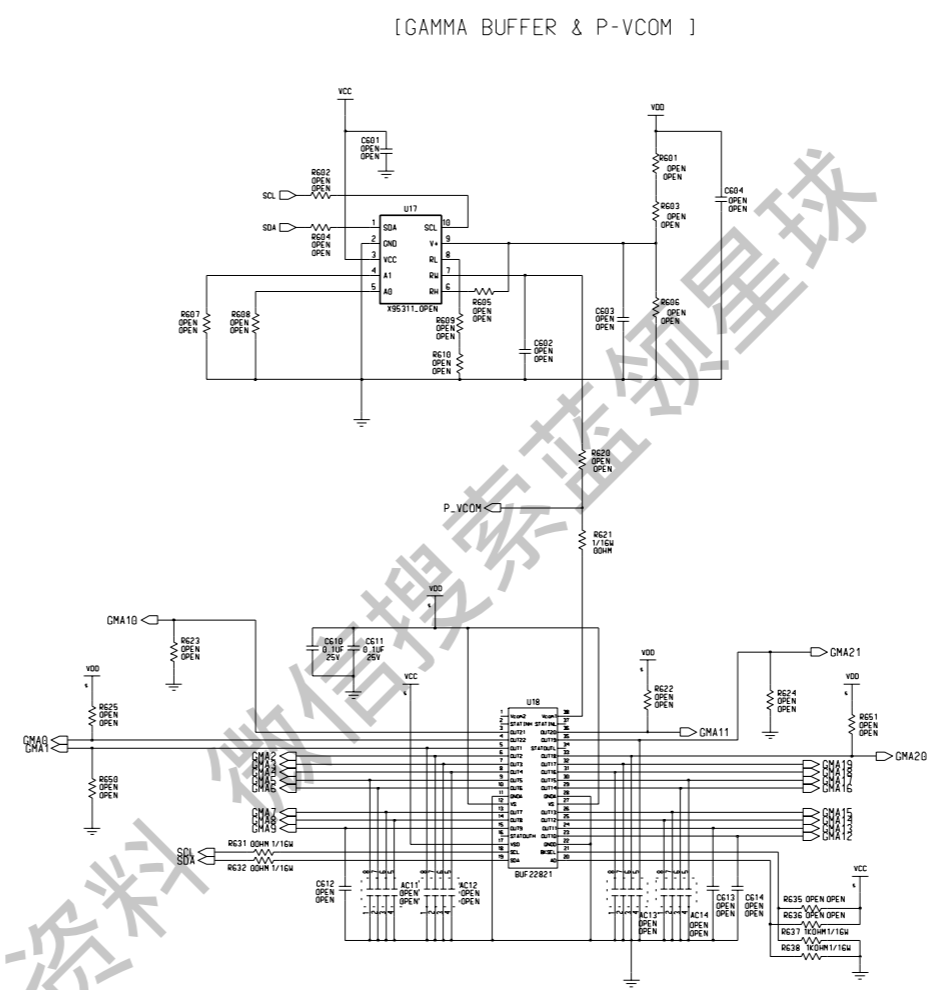
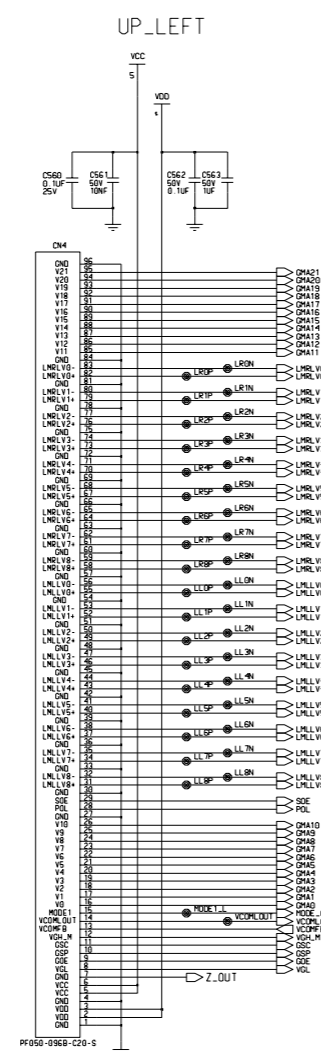
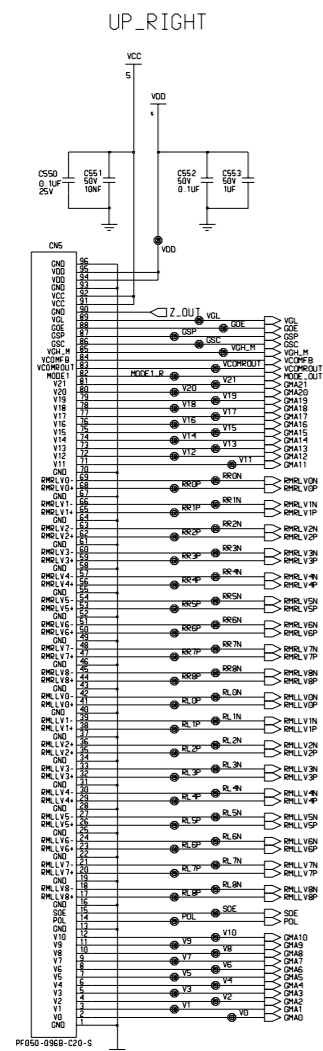
获取更多资料 微信搜索 蓝领星球

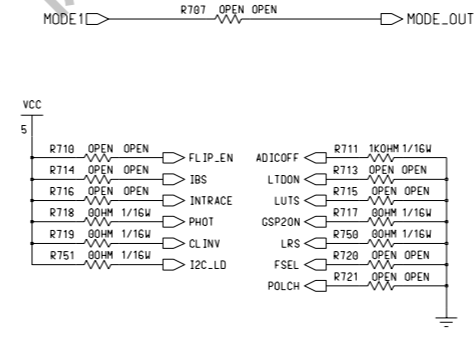
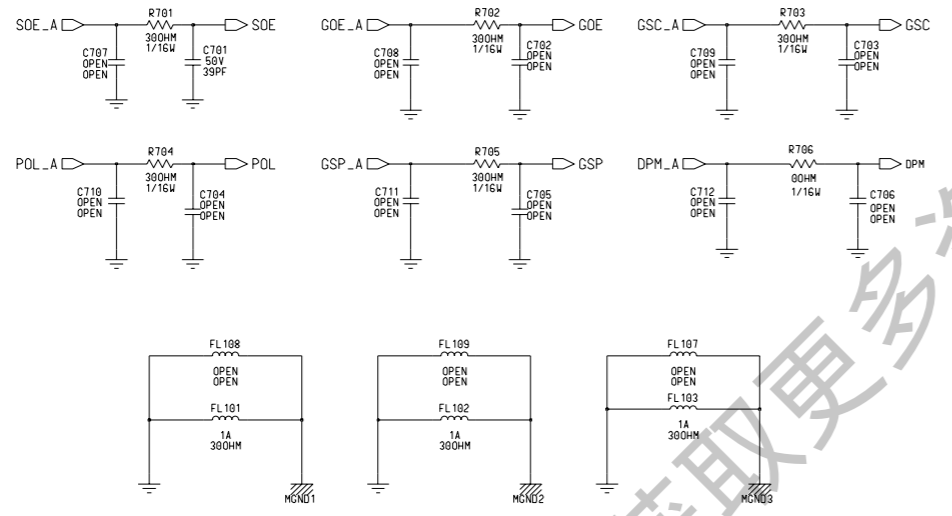
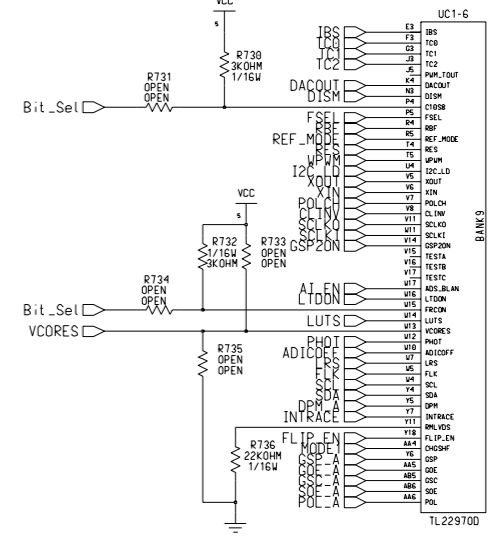
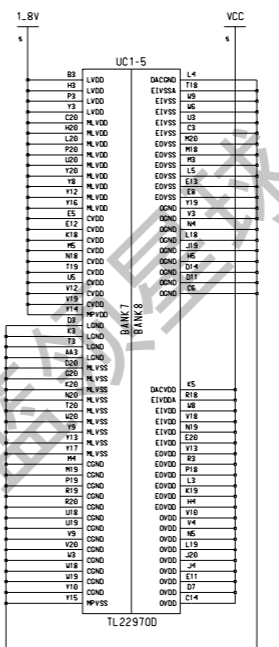
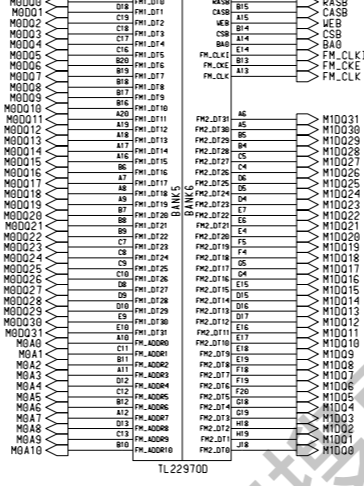
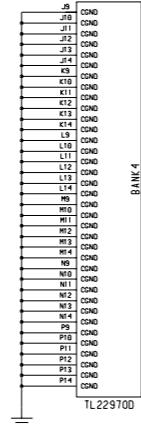
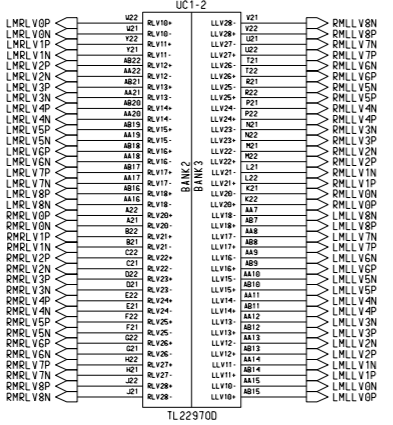
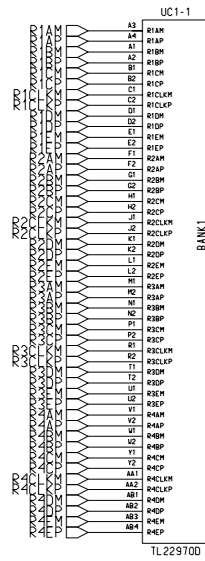
[DC/DC POWER BLOCK]



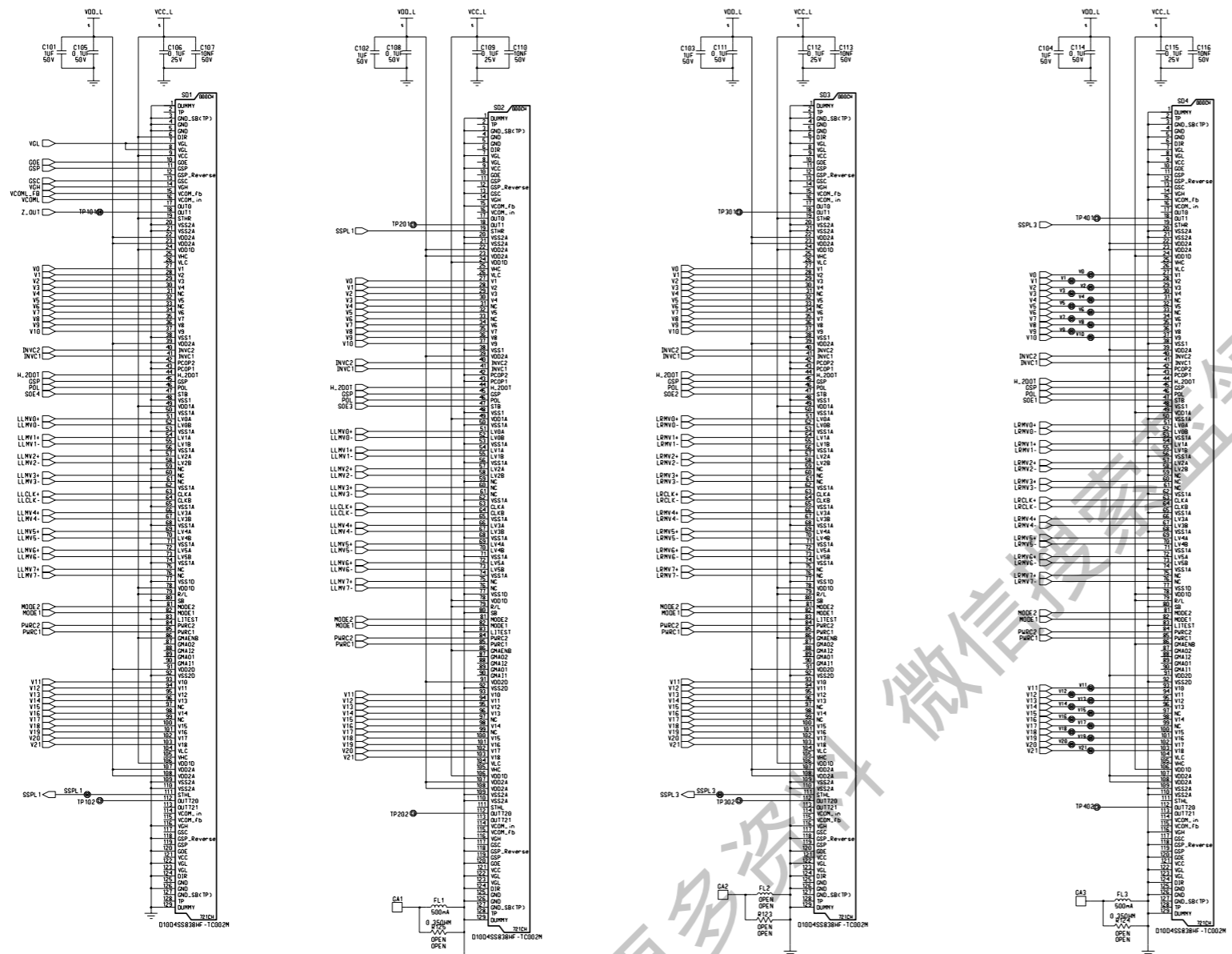
[LED BLOCK]



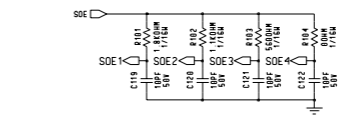




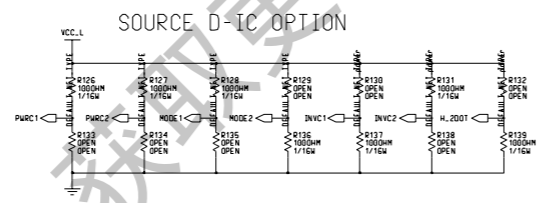
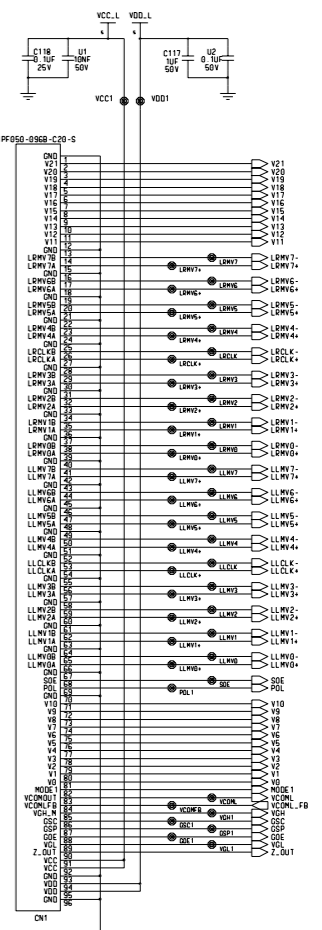
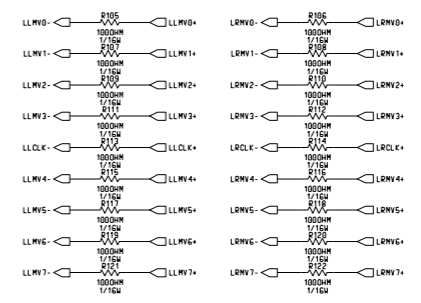
LC470WUD_CONTROL
CONTROL SCHEMATIC
6871L-CONTROL

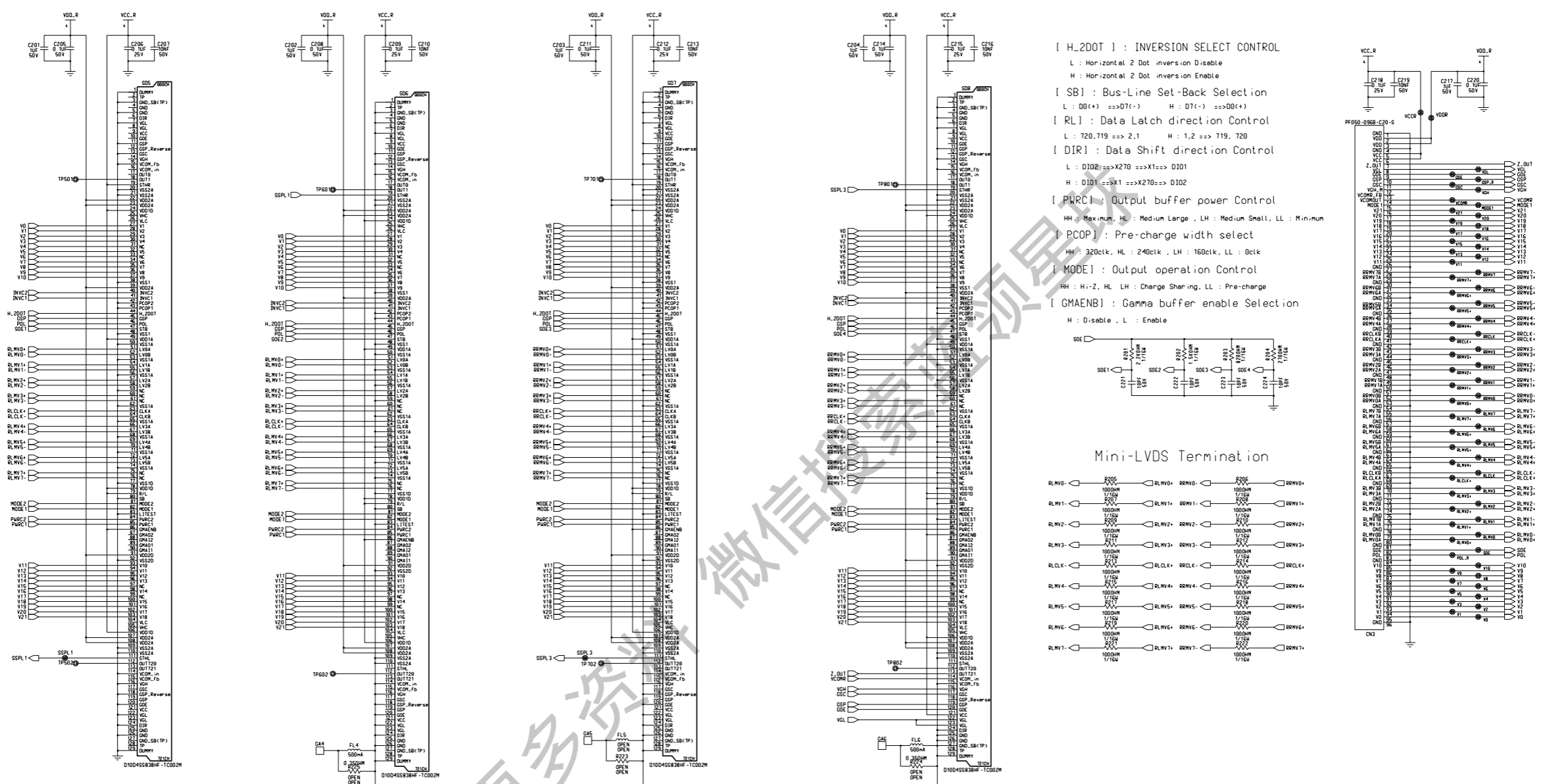


- [H.2DOT] : INVERSION SELECT CONTROL
 L : Horizontal 2 Dot inversion Disable
 H : Horizontal 2 Dot inversion Enable
- [SB] : Bus-Line Set-Back Selection
 L : D0(+)
 H : D7(-) => D0(+)
- [RL] : Data Latch direction Control
 L : 720, 719 => 2.1
 H : 1.2 => 719, 720
- [DIR] : Data Shift direction Control
 L : D102 => X270
 H : X1 => D101
 L : D101 => X1
 H : X270 => D102
- [PWRC] : Output buffer power Control
 HH : Maximum, HL : Medium Large, LH : Medium Small, LL : Minimum
- [PCOP] : Pre-charge width select
 HH : 320clk, HL : 240clk, LH : 160clk, LL : 0clk
- [MODE] : Output operation Control
 H : H-Z, HL : Charge Sharing, LL : Pre-charge
- [GMAENB] : Gamma buffer enable Selection
 H : Disable, L : Enable



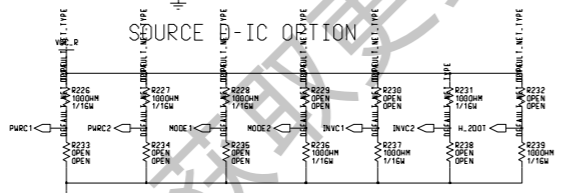
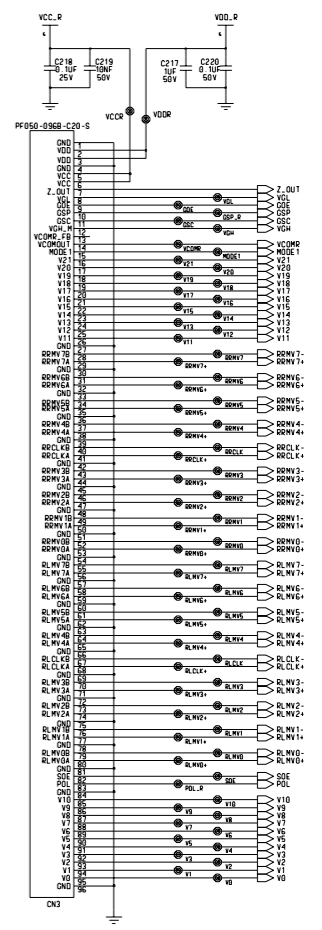
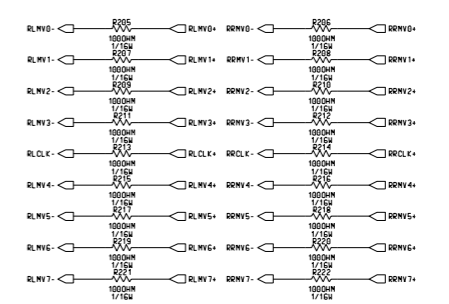
Mini-LVDS Termination





- [H_2DOT] : INVERSION SELECT CONTROL
L : Horizontal 2 Dot inversion Disable
H : Horizontal 2 Dot inversion Enable
- [SB] : Bus-Line Set-Back Selection
L : D0(+)=>D7(-) H : D7(-)=>D0(+)
- [RL] : Data Latch direction Control
L : 720,719 => 2,1 H : 1,2 => 719, 720
- [DIR] : Data Shift direction Control
L : D102=>X270 =>X1=>D101
H : D101=>X1=>X270=>D102
- [PWRC] : Output buffer power Control
HH : Maximum, HL : Medium Large, LH : Medium Small, LL : Minimum
- [PCOP] : Pre-charge width select
HH : 320clk, HL : 240clk, LH : 160clk, LL : 0clk
- [MODE] : Output operation Control
HH : Hi-Z, HL : Charge Sharing, LL : Pre-charge
- [GMAENB] : Gamma buffer enable Selection
H : Disable, L : Enable

Mini-LVDS Termination

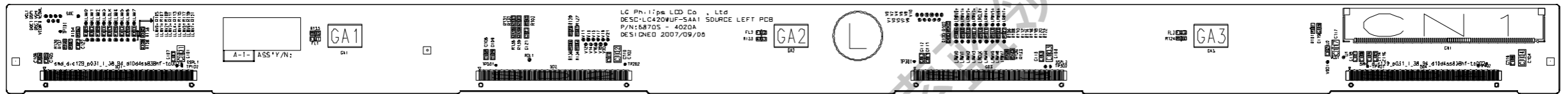


Printed Circuit Board / 회로기판

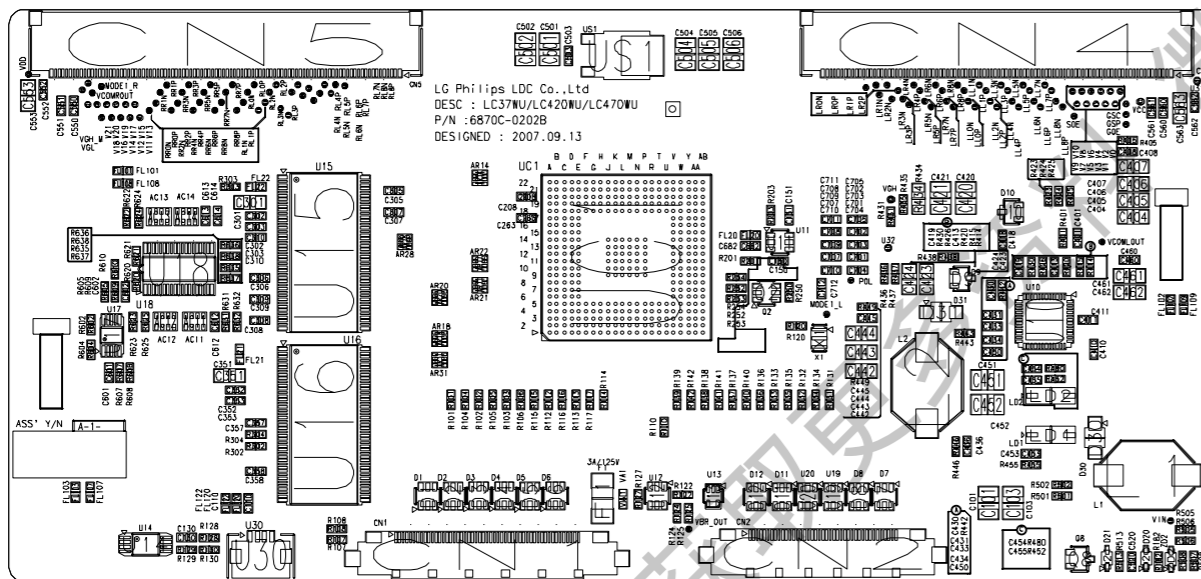
SOURCE(Right_Top)



SOURCE(Left_Top)



Control(Top)



Control(Bottom)

