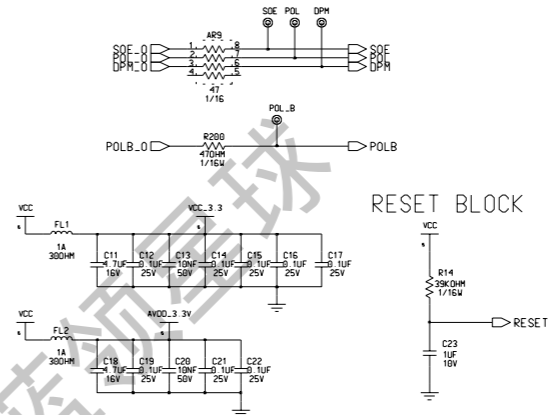
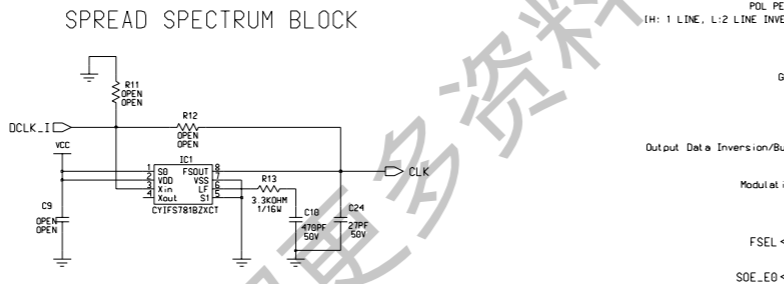
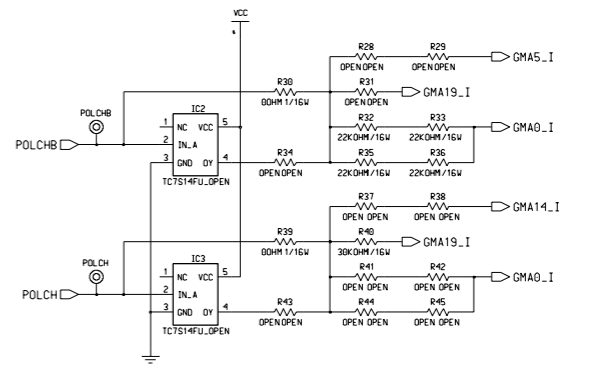


[ T-CON BLOCK ]



GAMMA SWING



POL period change(at interface mode)  
 LL:2Frame, LH:4Frame  
 HL:8Frame, HH:16Frame, Open:LL

Rising/Falling Edge selection  
 IH:Rising, L:Falling, Open:L

POL PERIOD SELECTION  
 IH: 1 LINE, L:2 LINE INVERSION, Open:L

SDE END Point  
 (open : L)

GDE Start Point  
 (open : L)

GDE END Point  
 (open : L)

Output Data Inversion/Buffer Selection  
 (open : L)

Modulation Start Point  
 (open : L)

Free Running using  
 (open : H( use ))

SDE END Point  
 (open : H)

GDE Start Point  
 (open : H)

GDE END Point  
 (open : H)

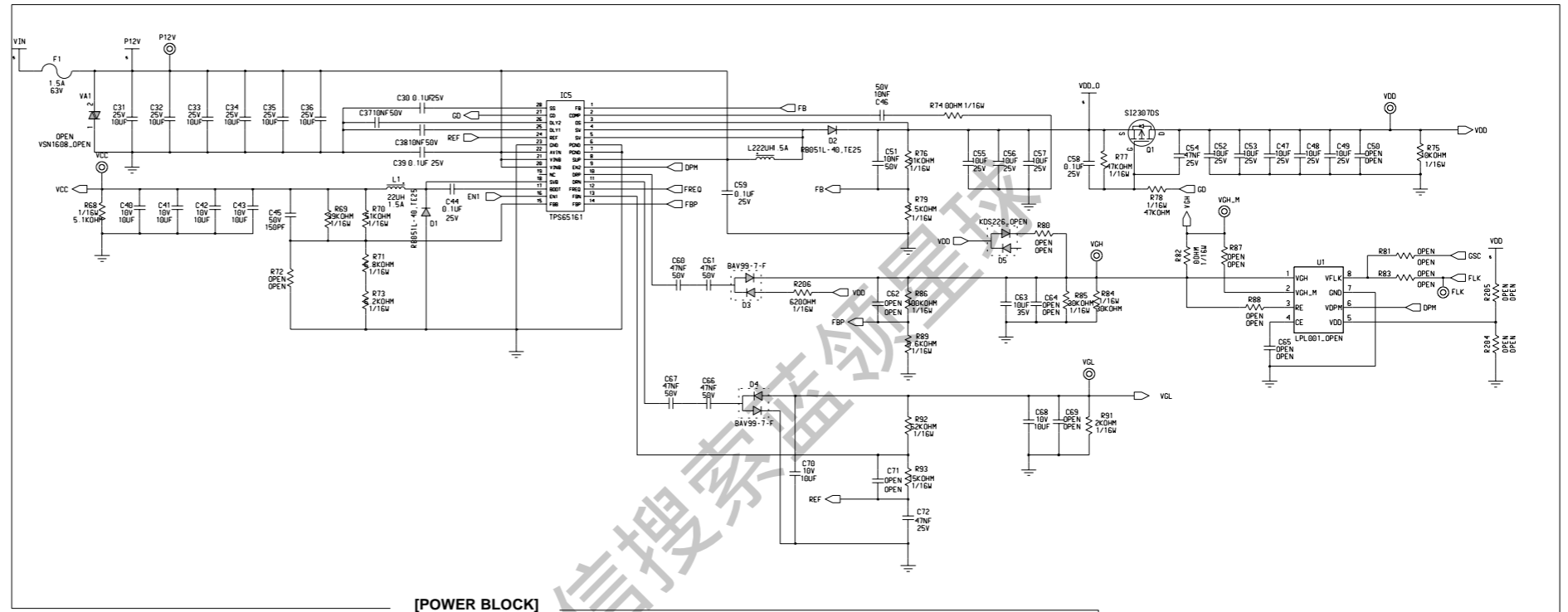
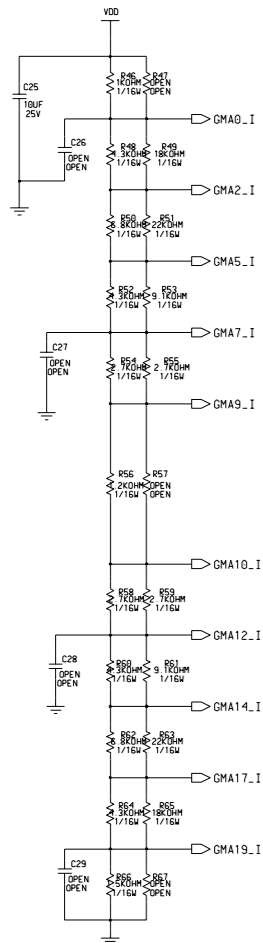
[SELECTION OPTION]

FFS=L(open)  
 IBS=L(open)  
 POL\_OT=H  
 FSEL=H(open)

GOE\_S[1:0] = [0,1]  
 GOE\_E[1:0] = [0,1]  
 SOE\_E[1:0] = [1,0]

[ASIC OPTION BLOCK]

GAMMA BLOCK 1



[POWER BLOCK]

GAMMA BLOCK 1

