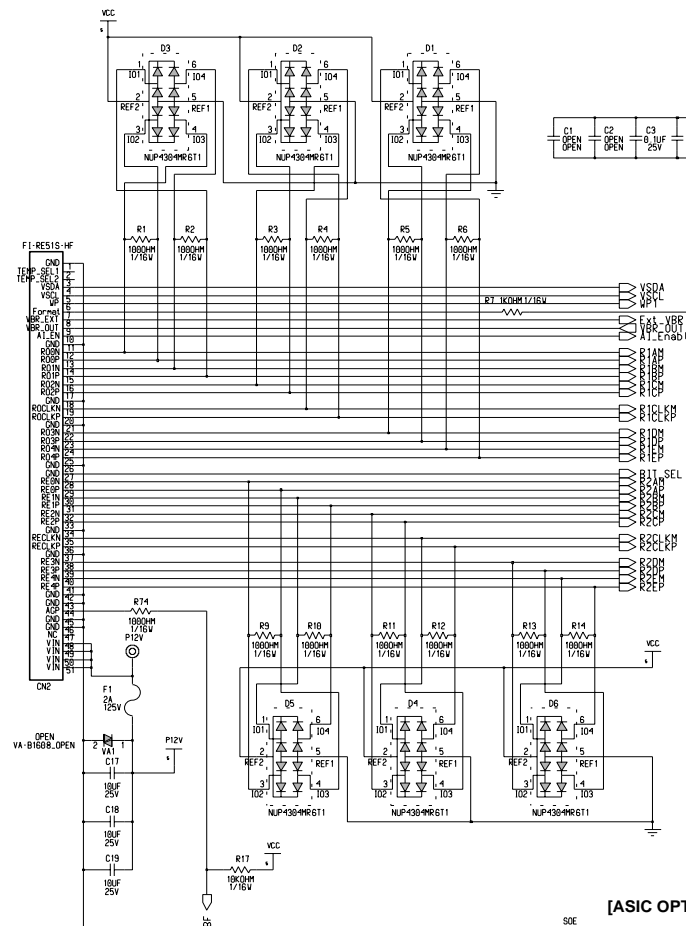
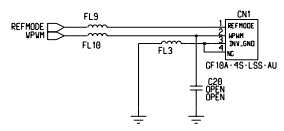


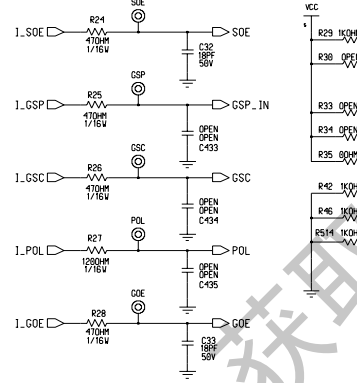
[USER CONNECTOR]



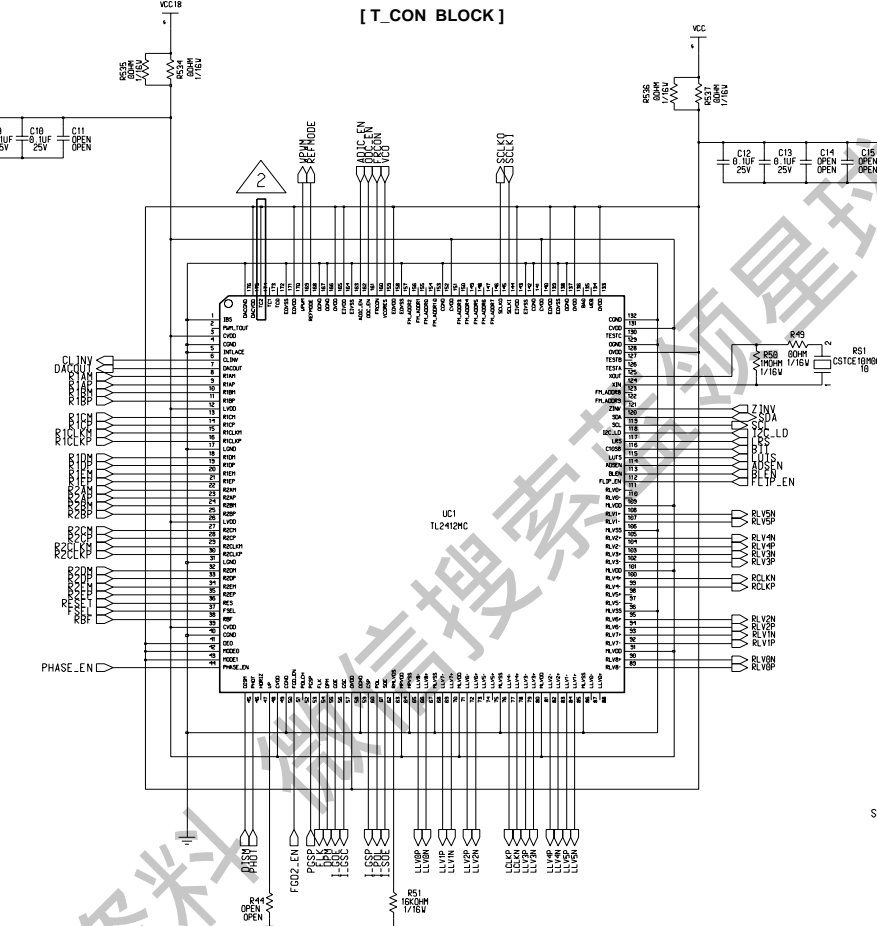
[INVERTER SYNC CONNECTOR]



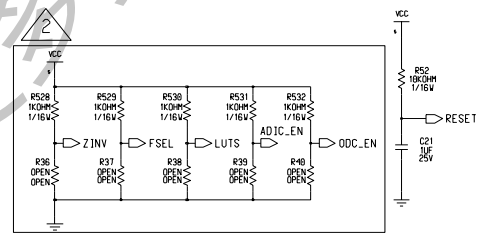
[ASIC OPTION BLOCK]



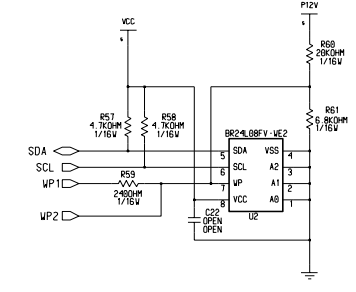
[T_CON BLOCK]



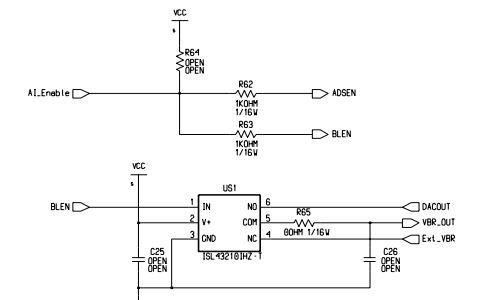
[T_CON RESET BLOCK]



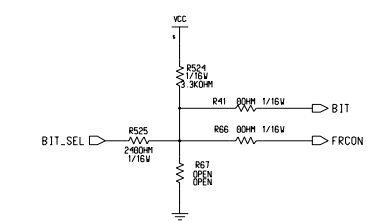
[EEPROM BLOCK]



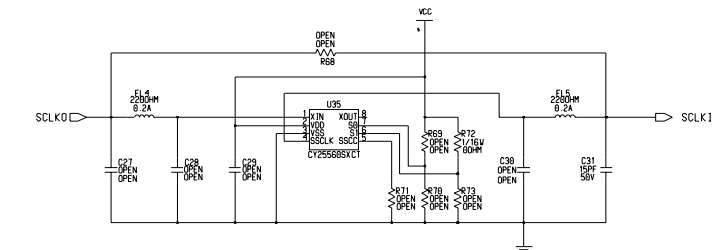
[AI I/F BLOCK]

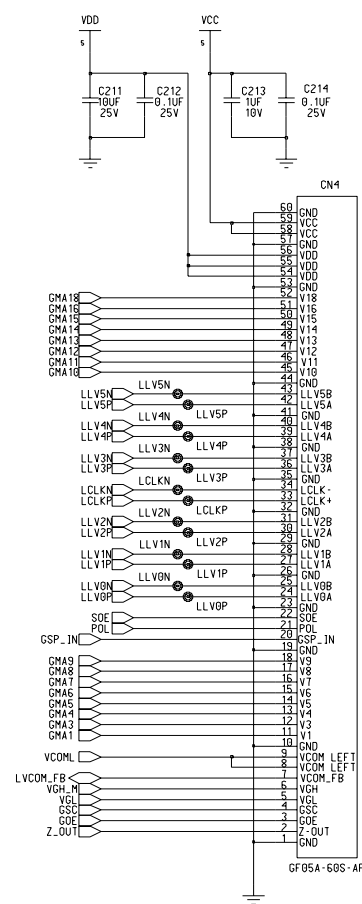


[BIT & FRC selection]

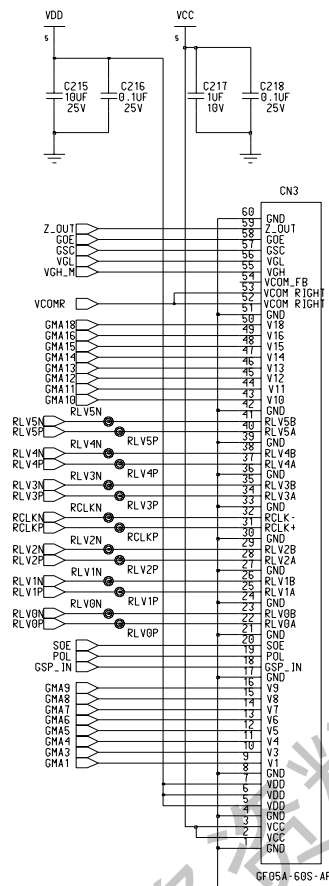


[SPREAD SPECTRUM]





[CONTROL-SOURCE LEFT CONNECTOR]

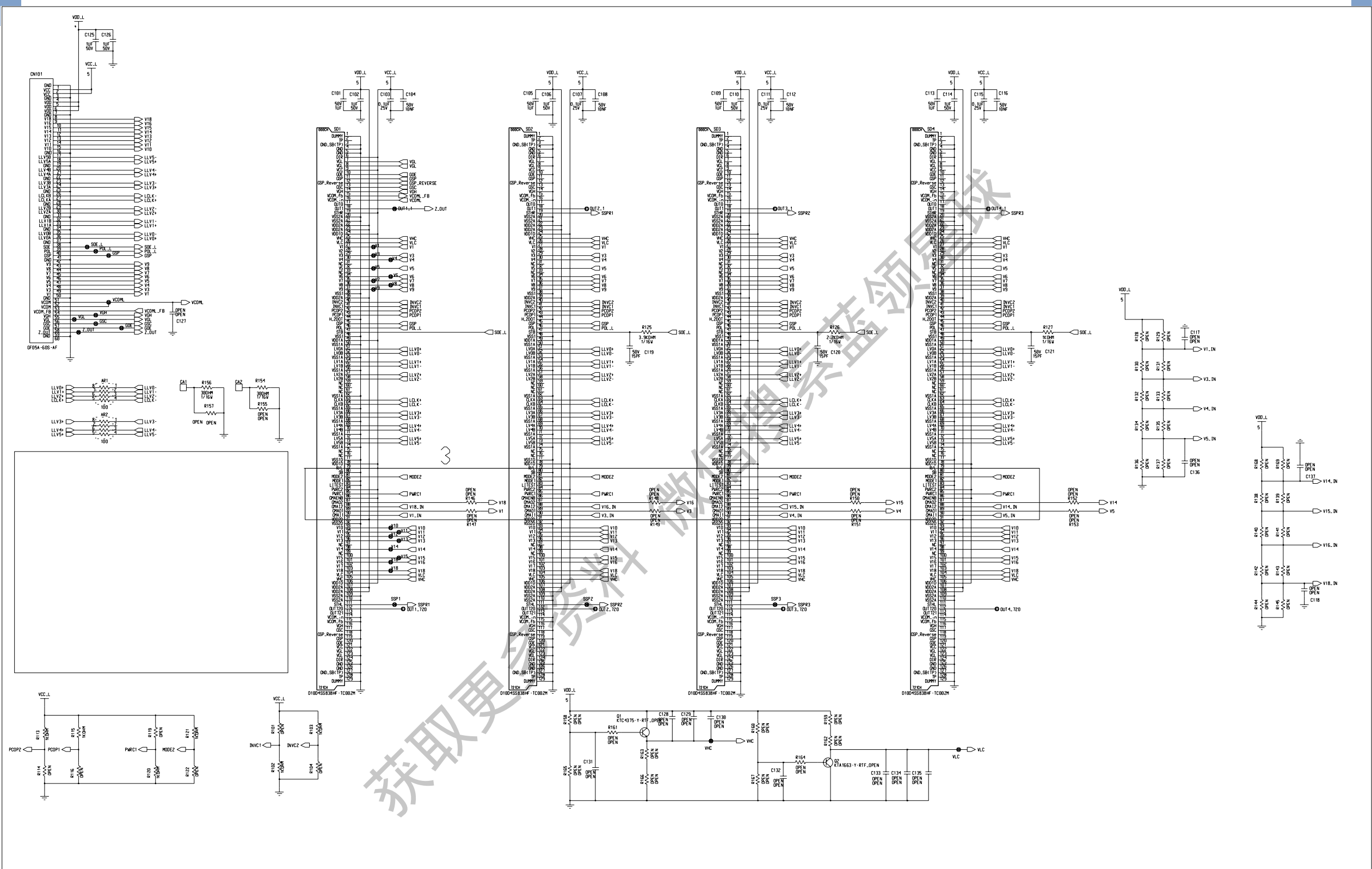


[CONTROL-SOURCE RIGHT CONNECTOR]

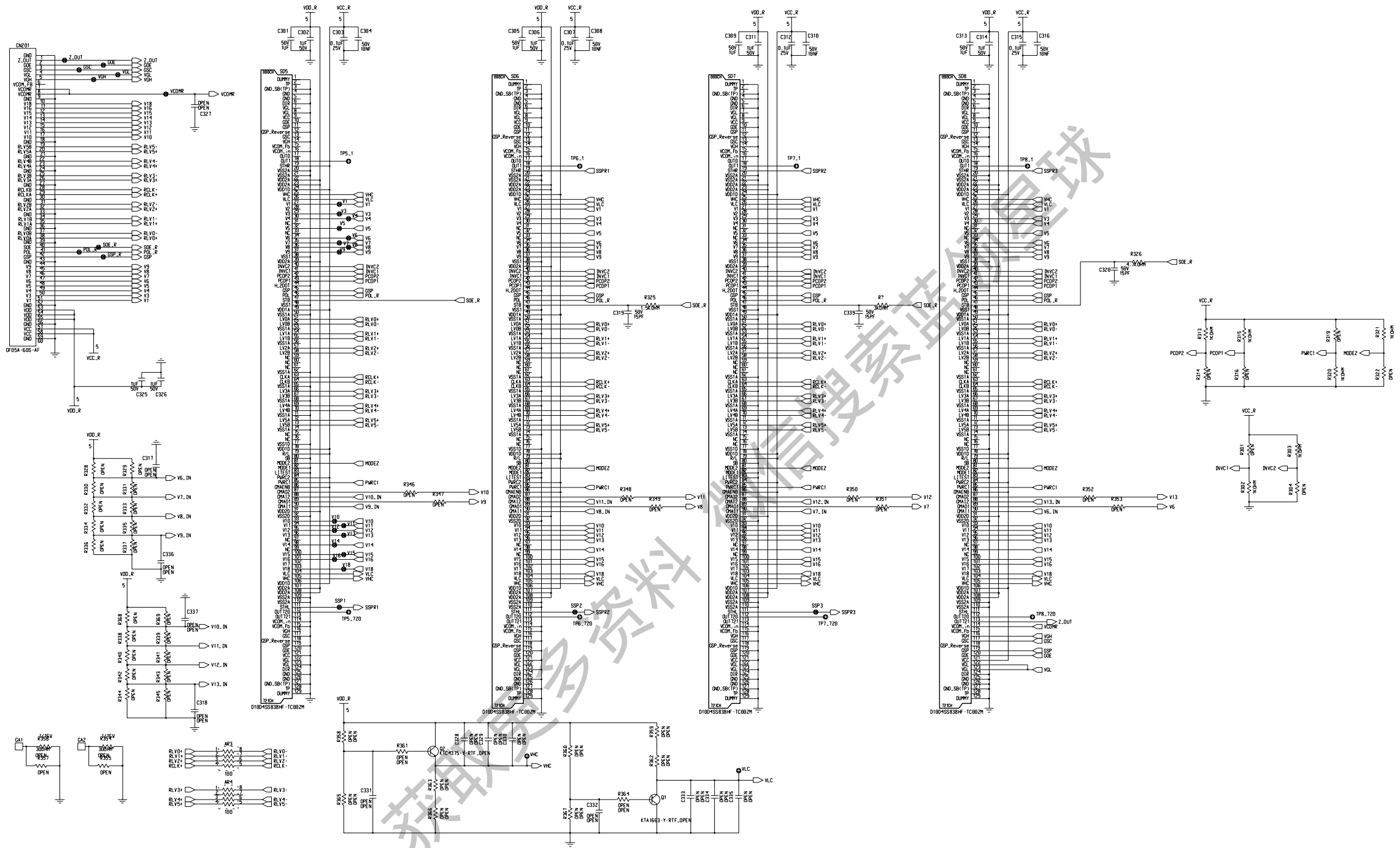
微信搜索蓝领星球

获取更多资料

Ltd.
s prohibited by law.

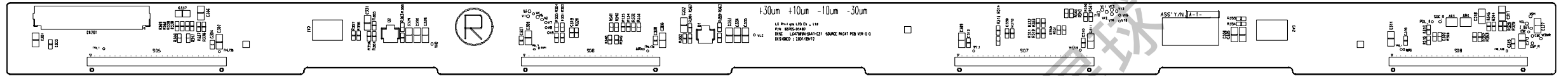


SOURCE LEFT PWB (1/1)
 LC470WUN-SAA1-732
 6871L-1339A

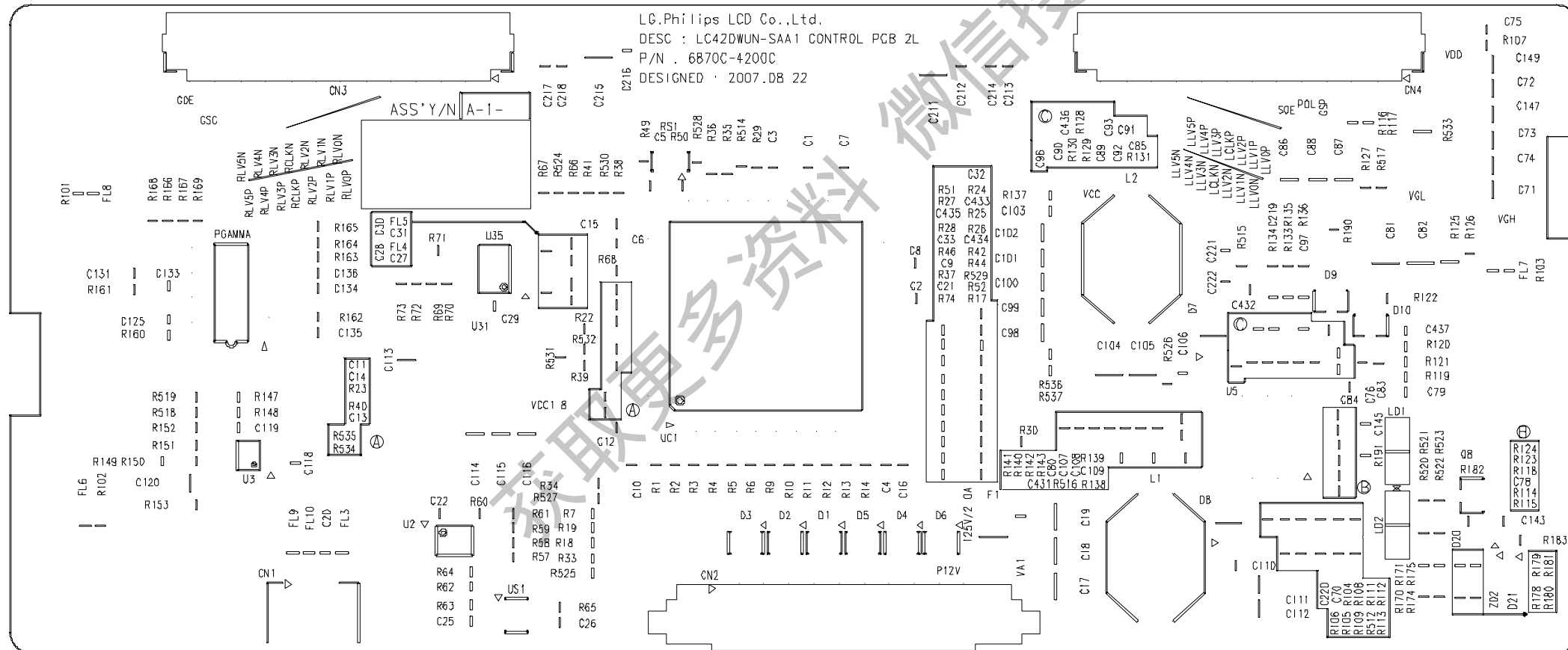
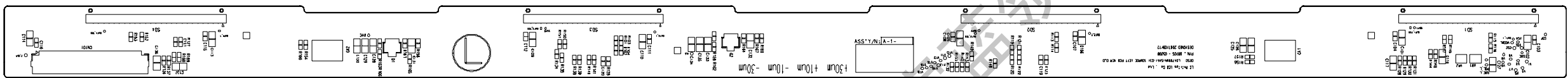


Printed Circuit Board / 회로기판

SOURCE(Right_Top)



SOURCE(Left_Top)



Control(Top)