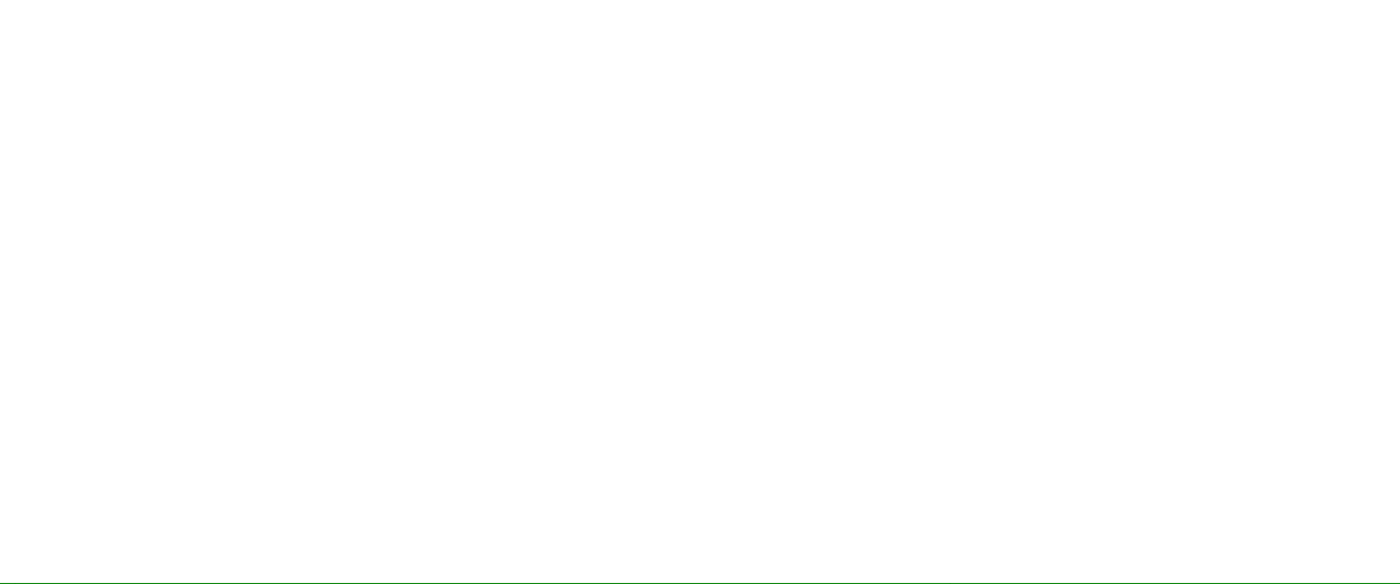
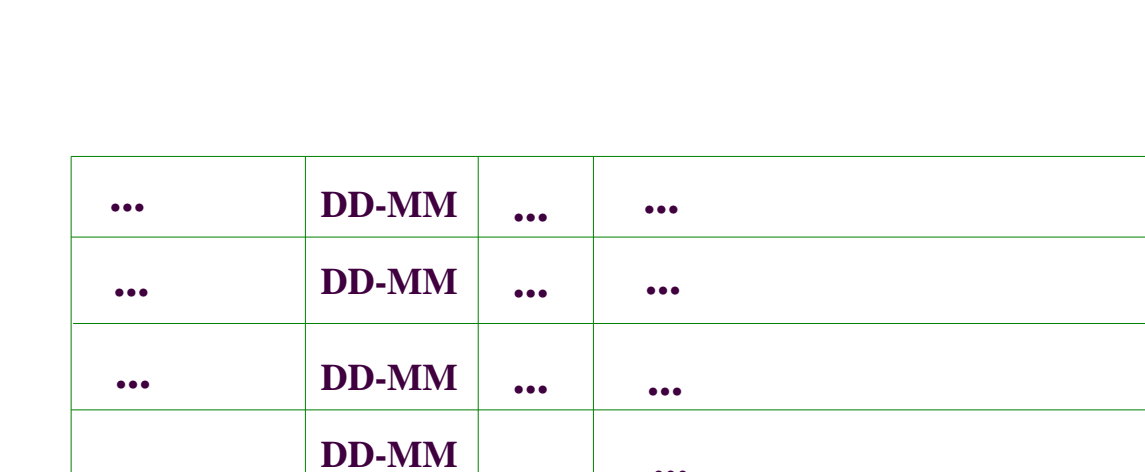
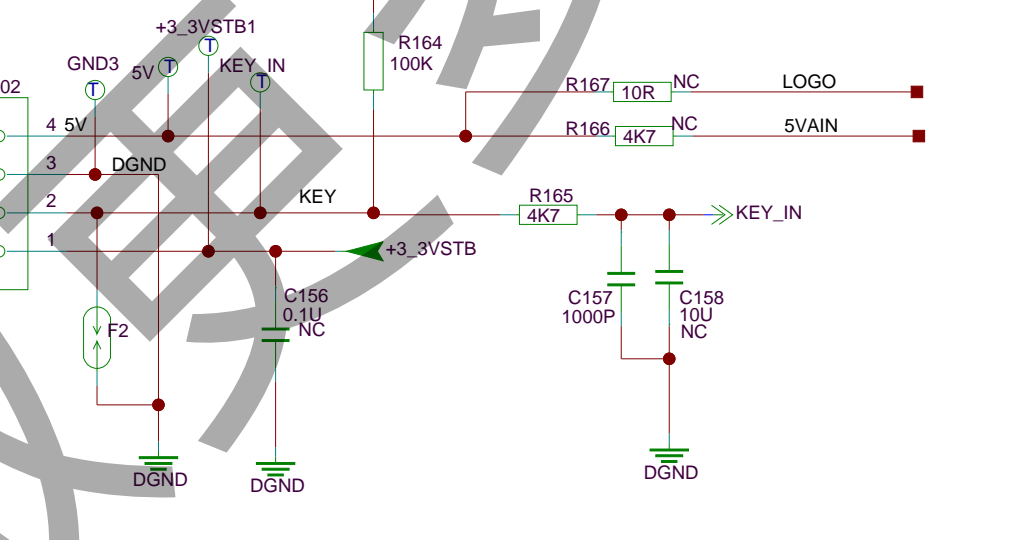
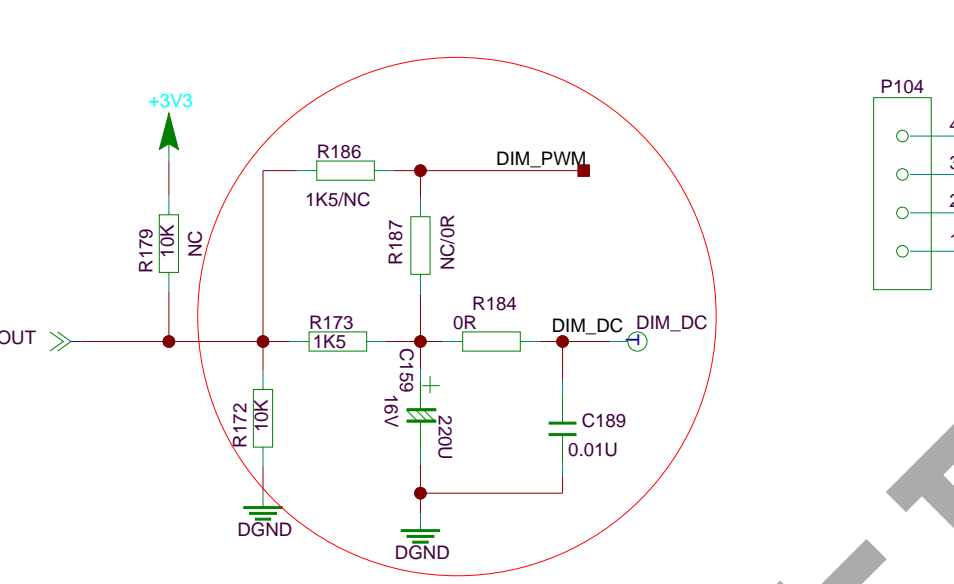
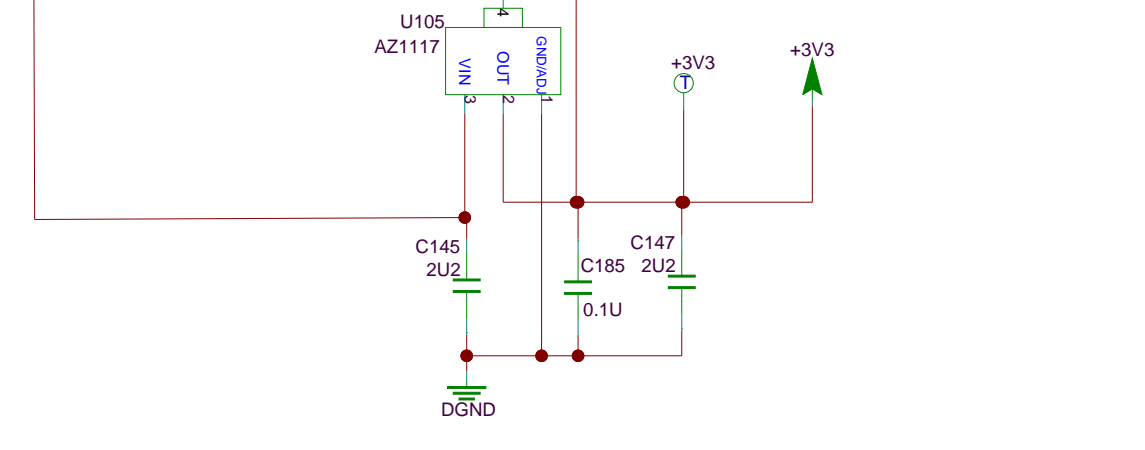
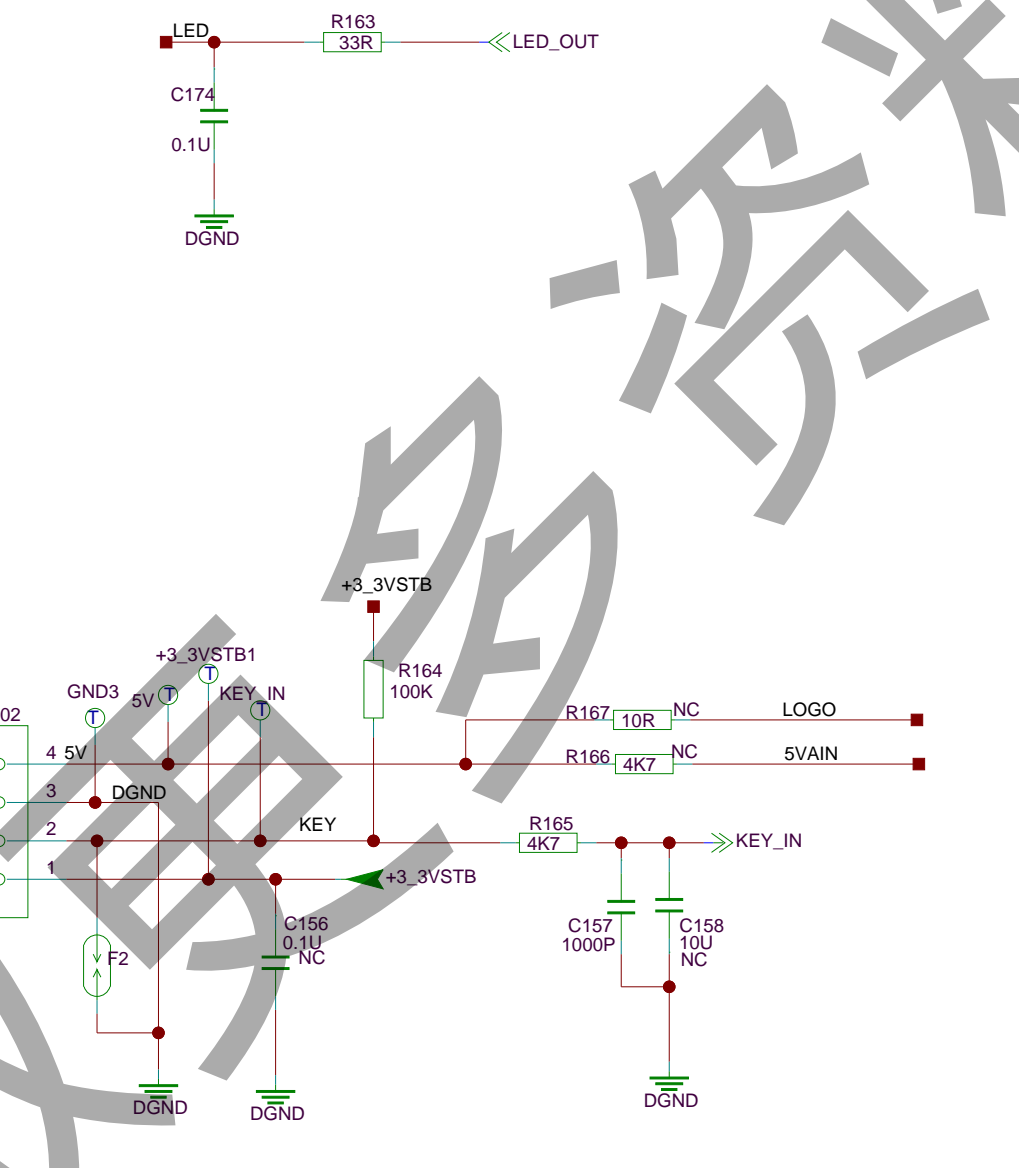
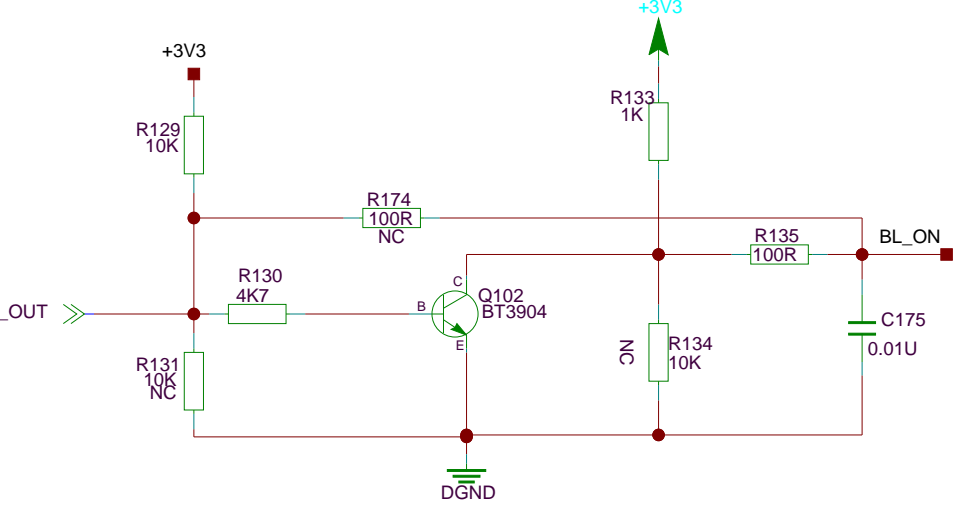
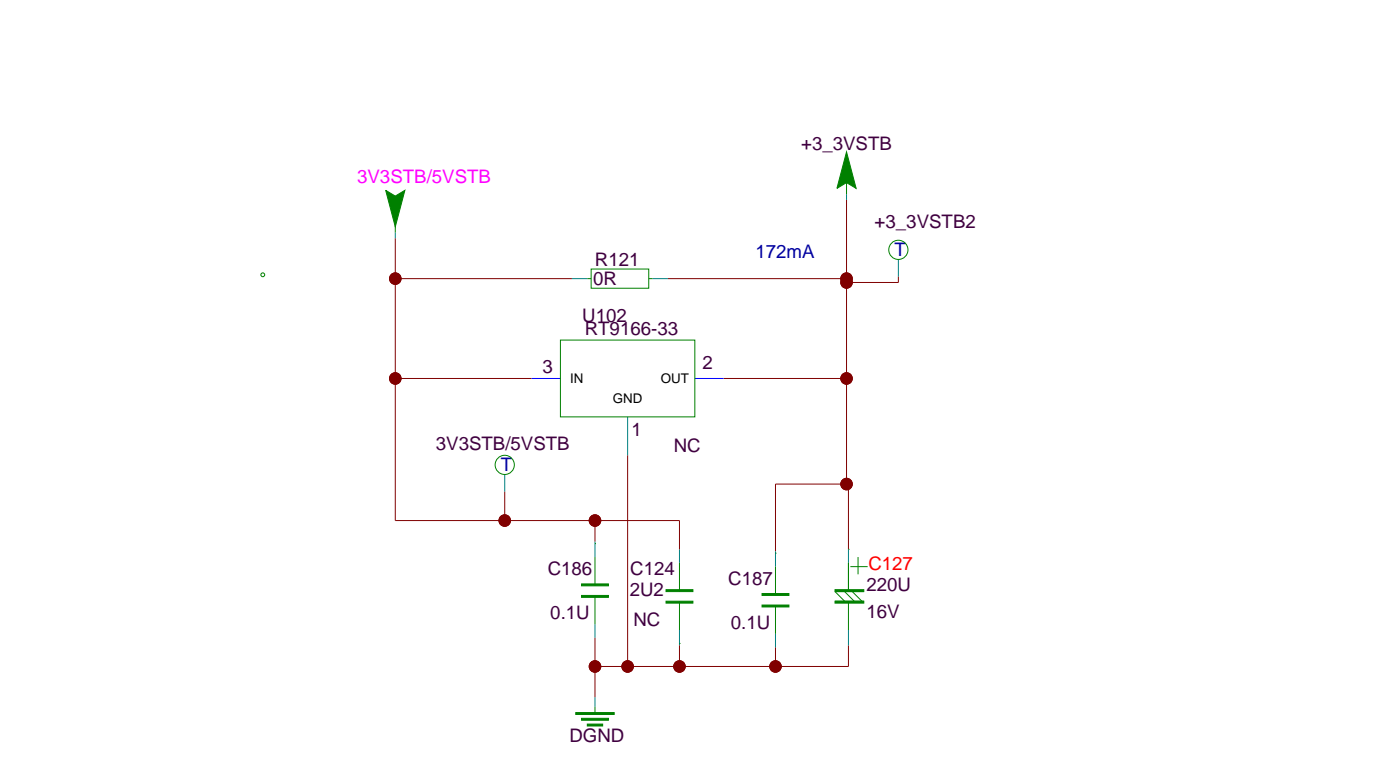
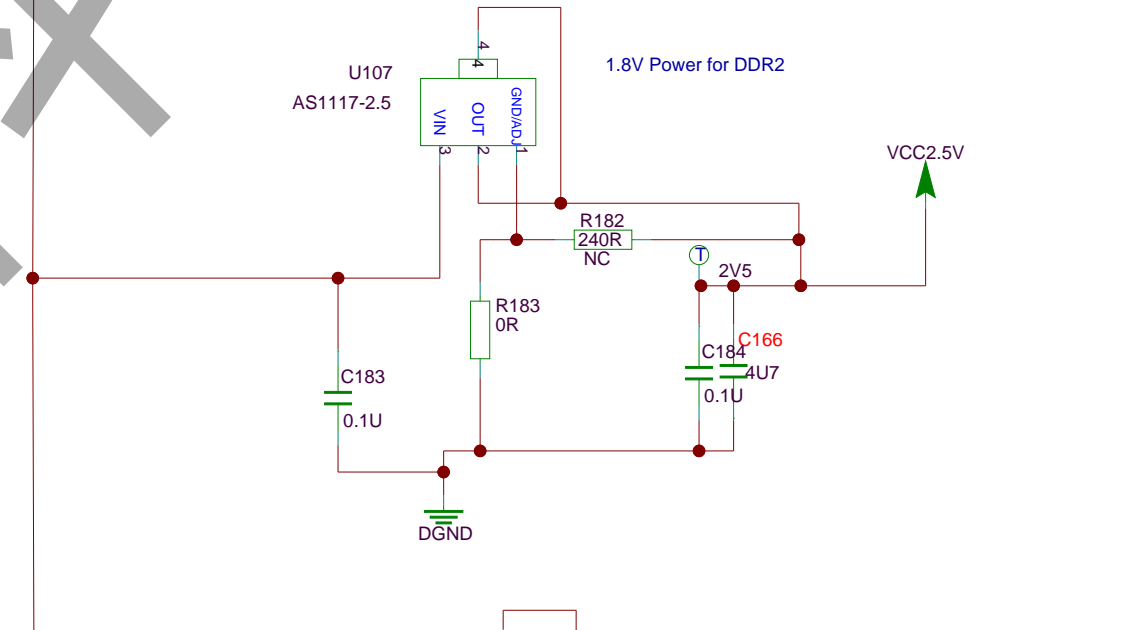
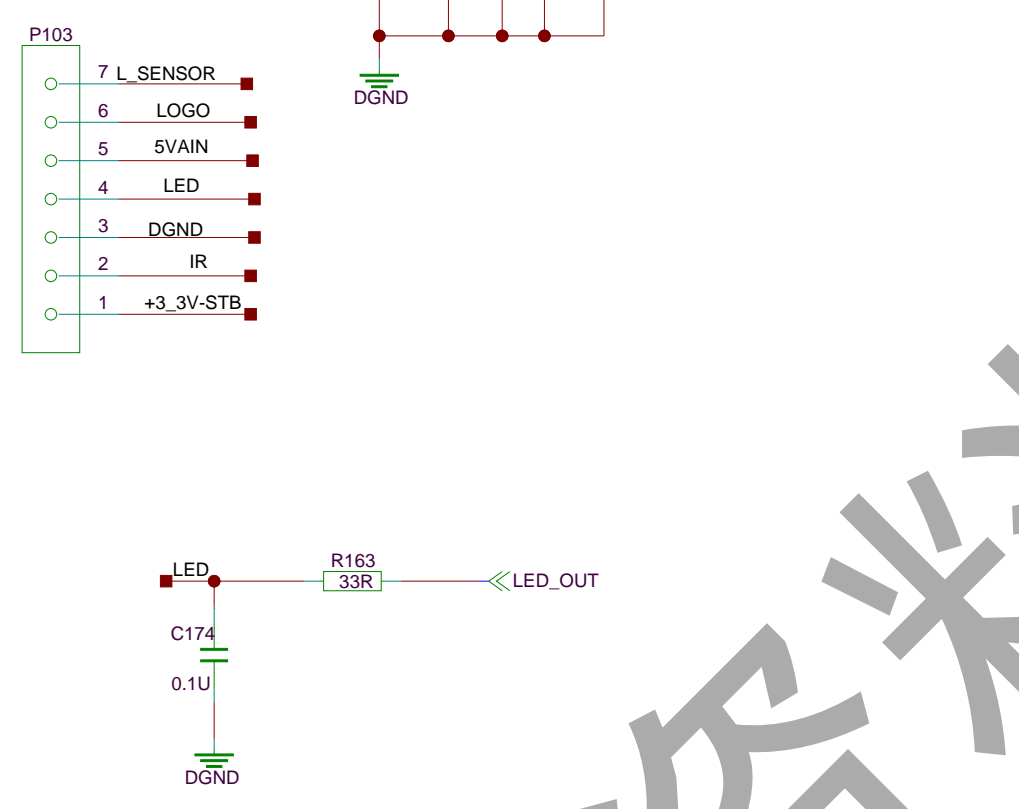
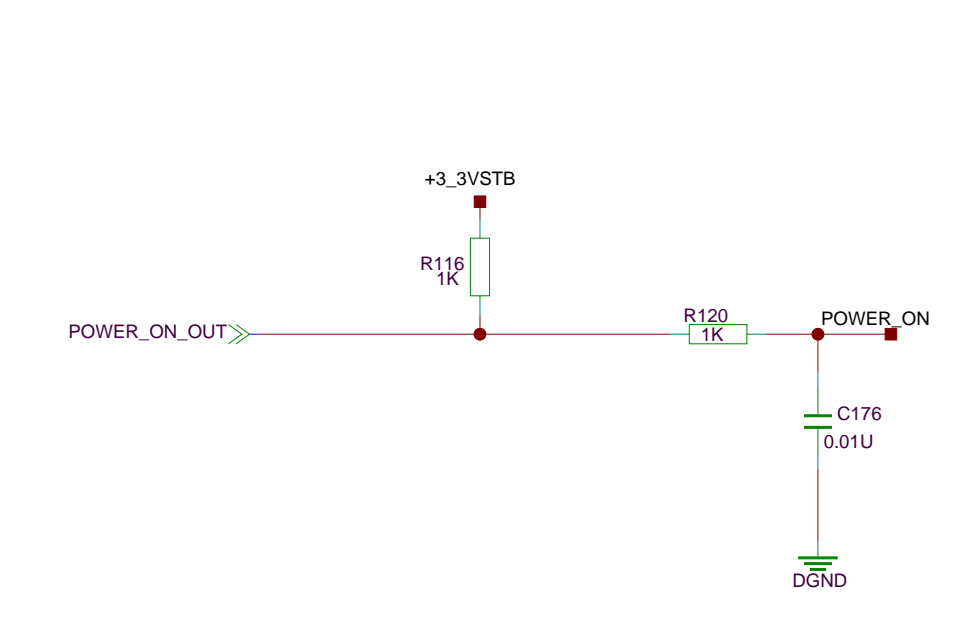
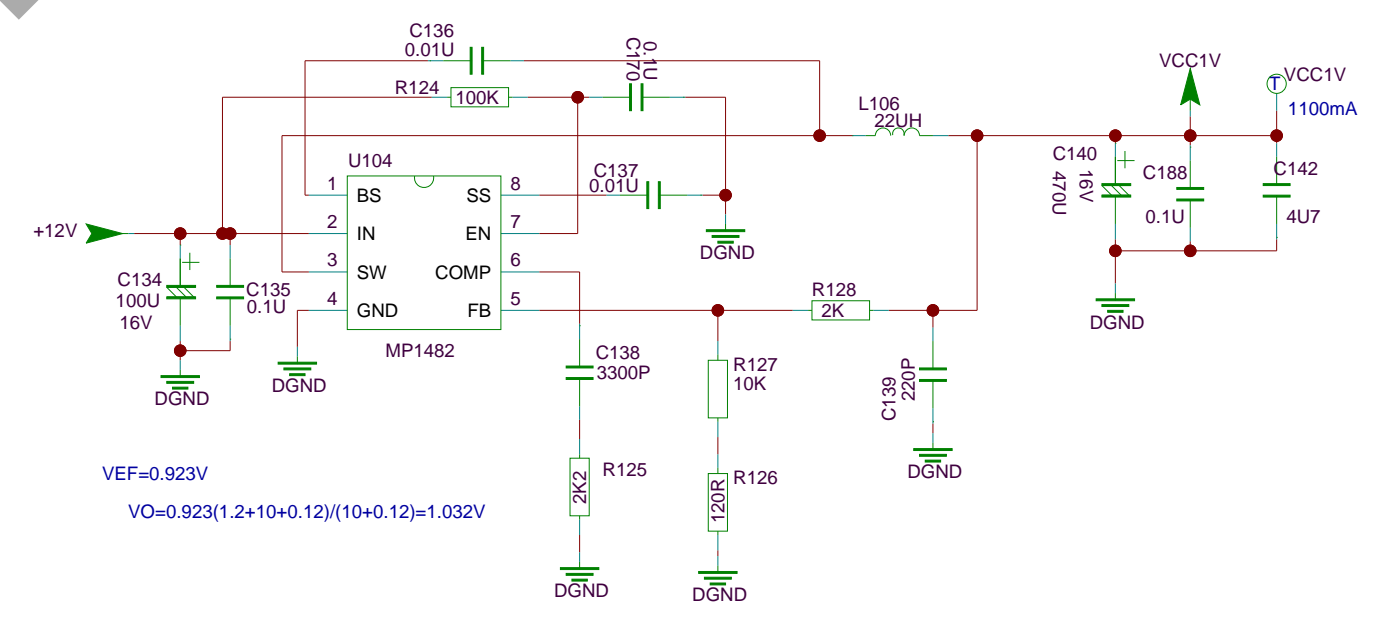
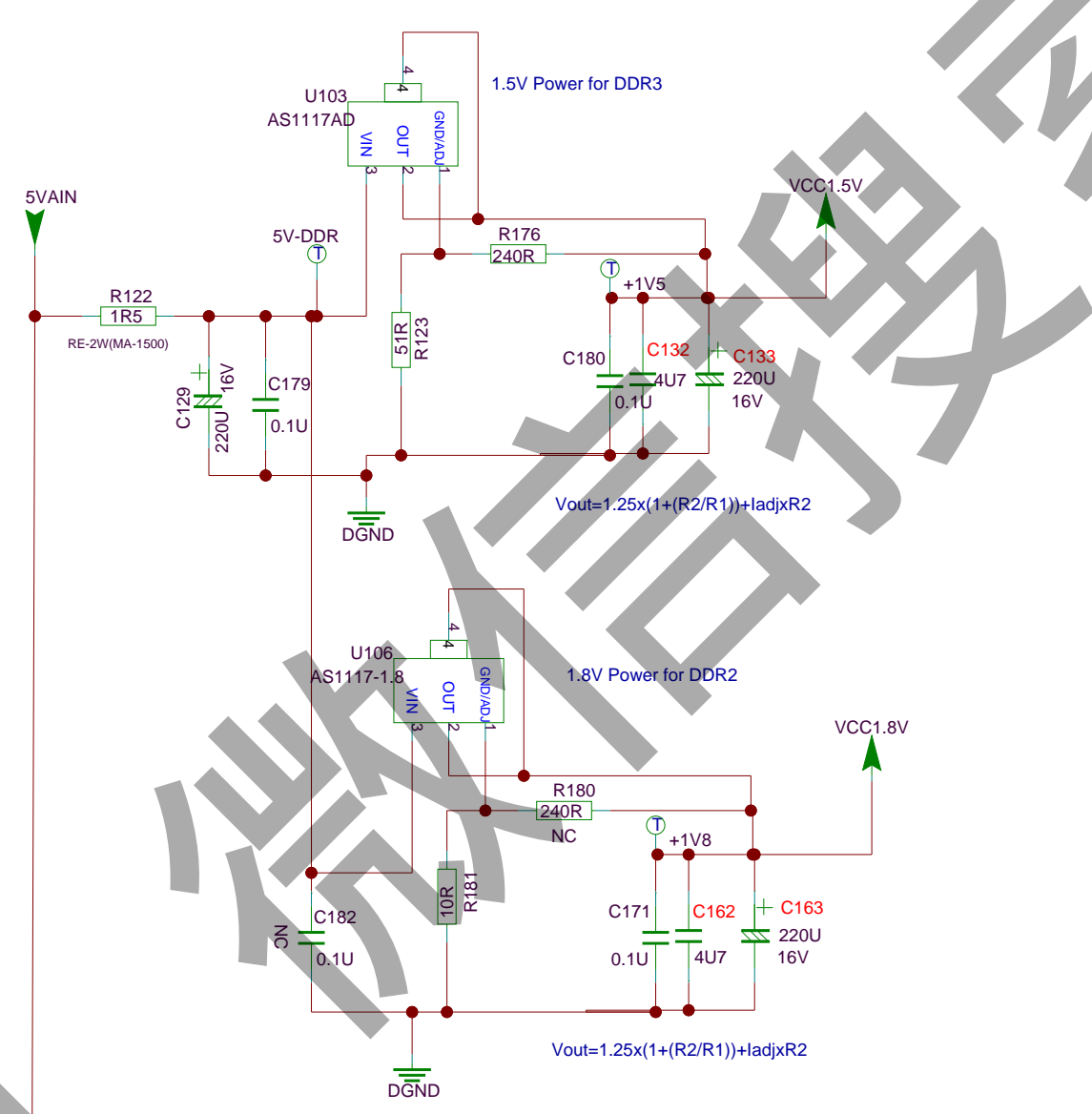
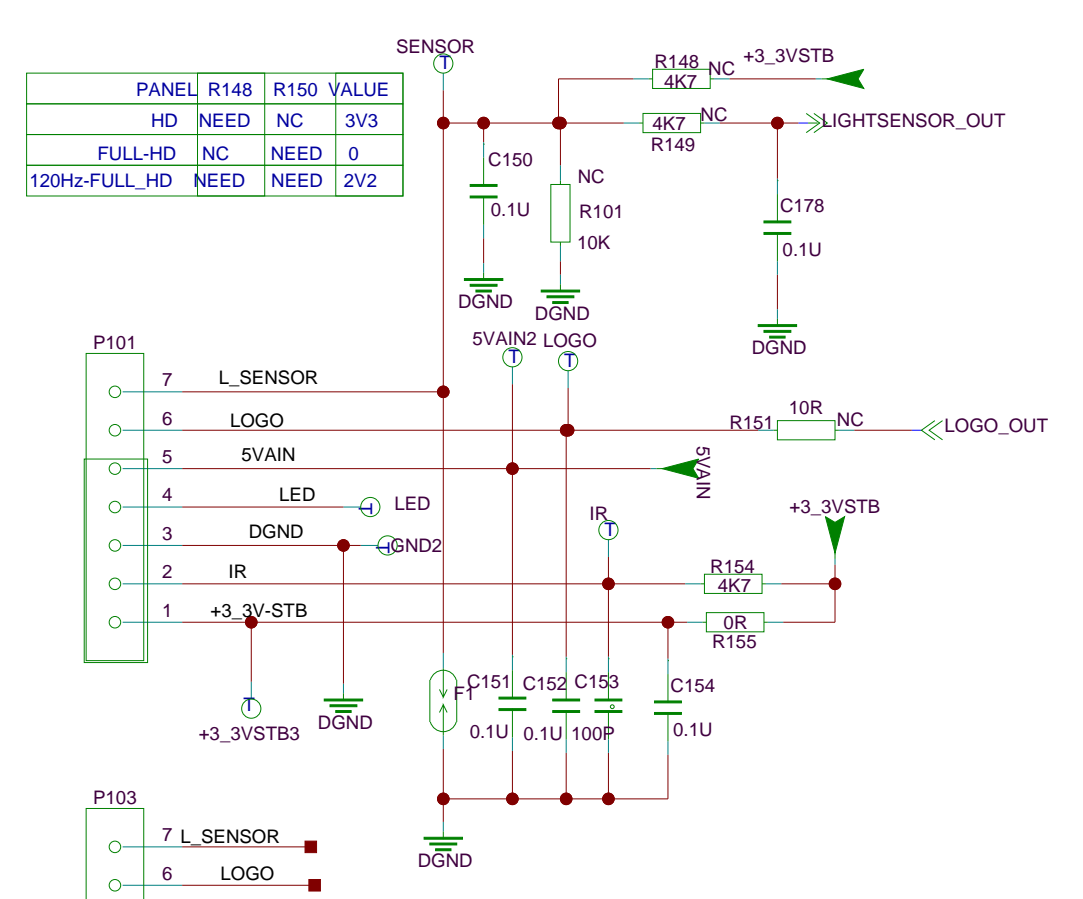
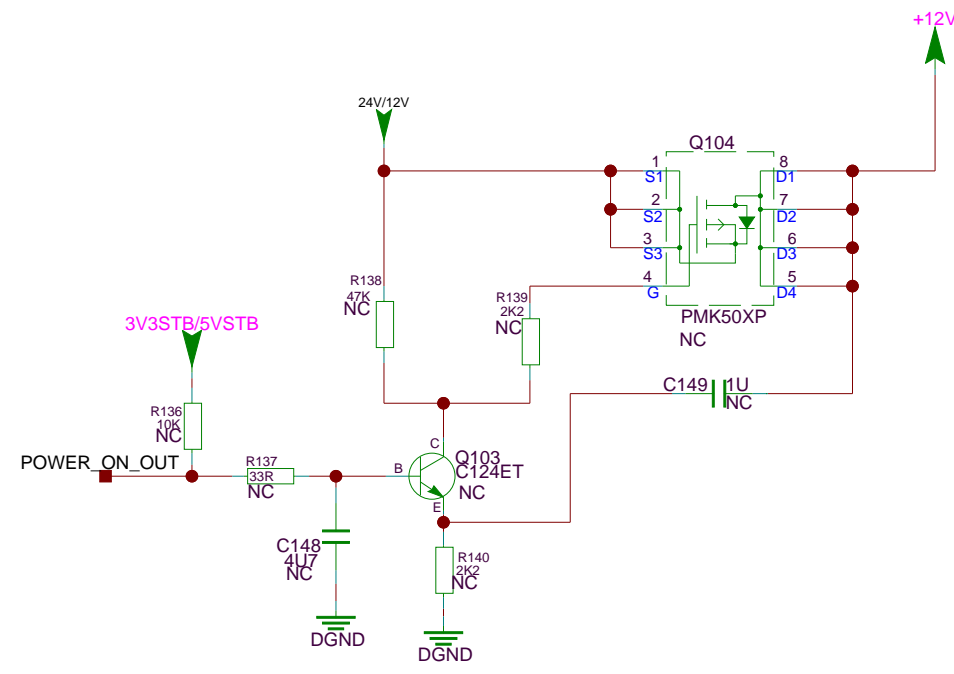
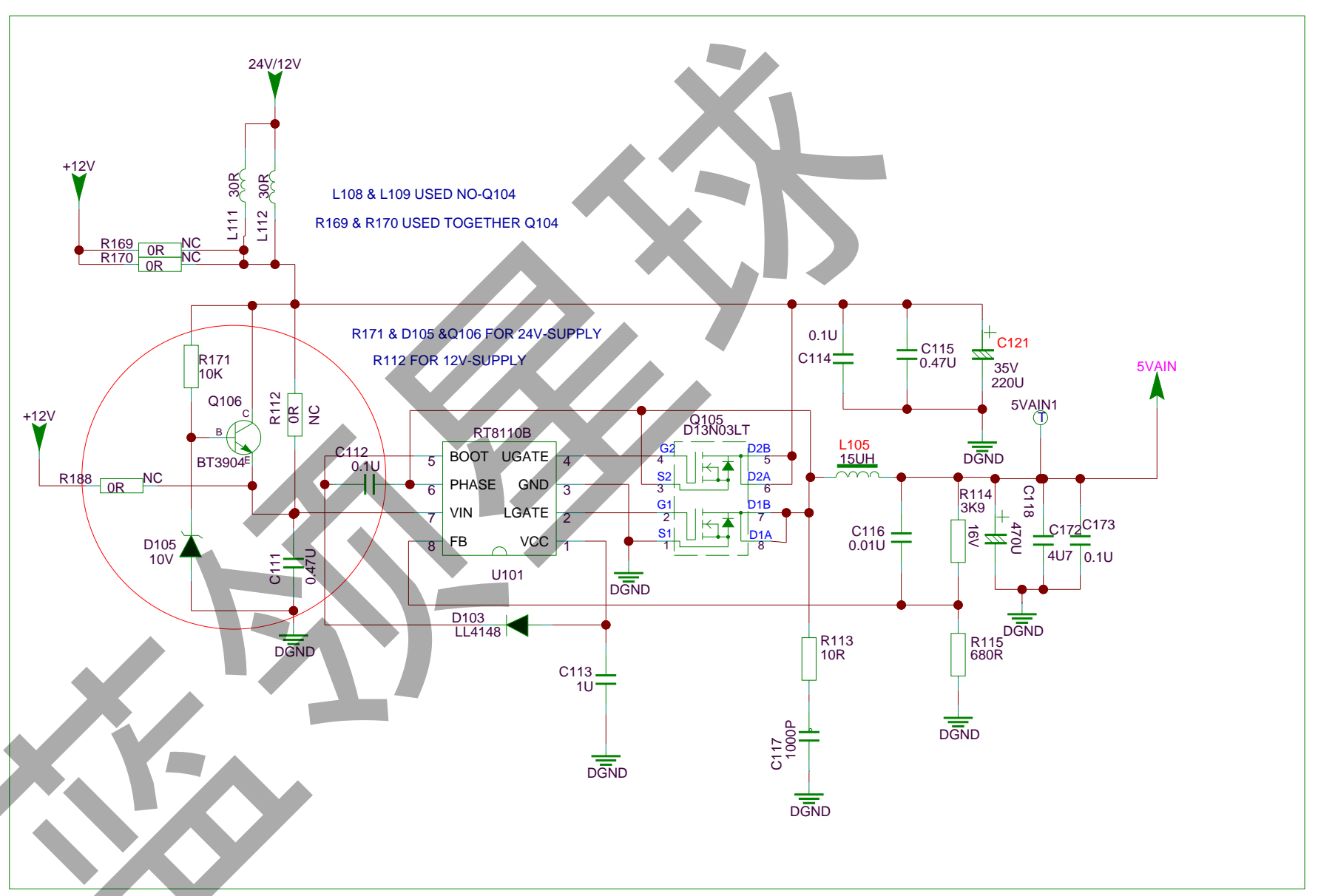
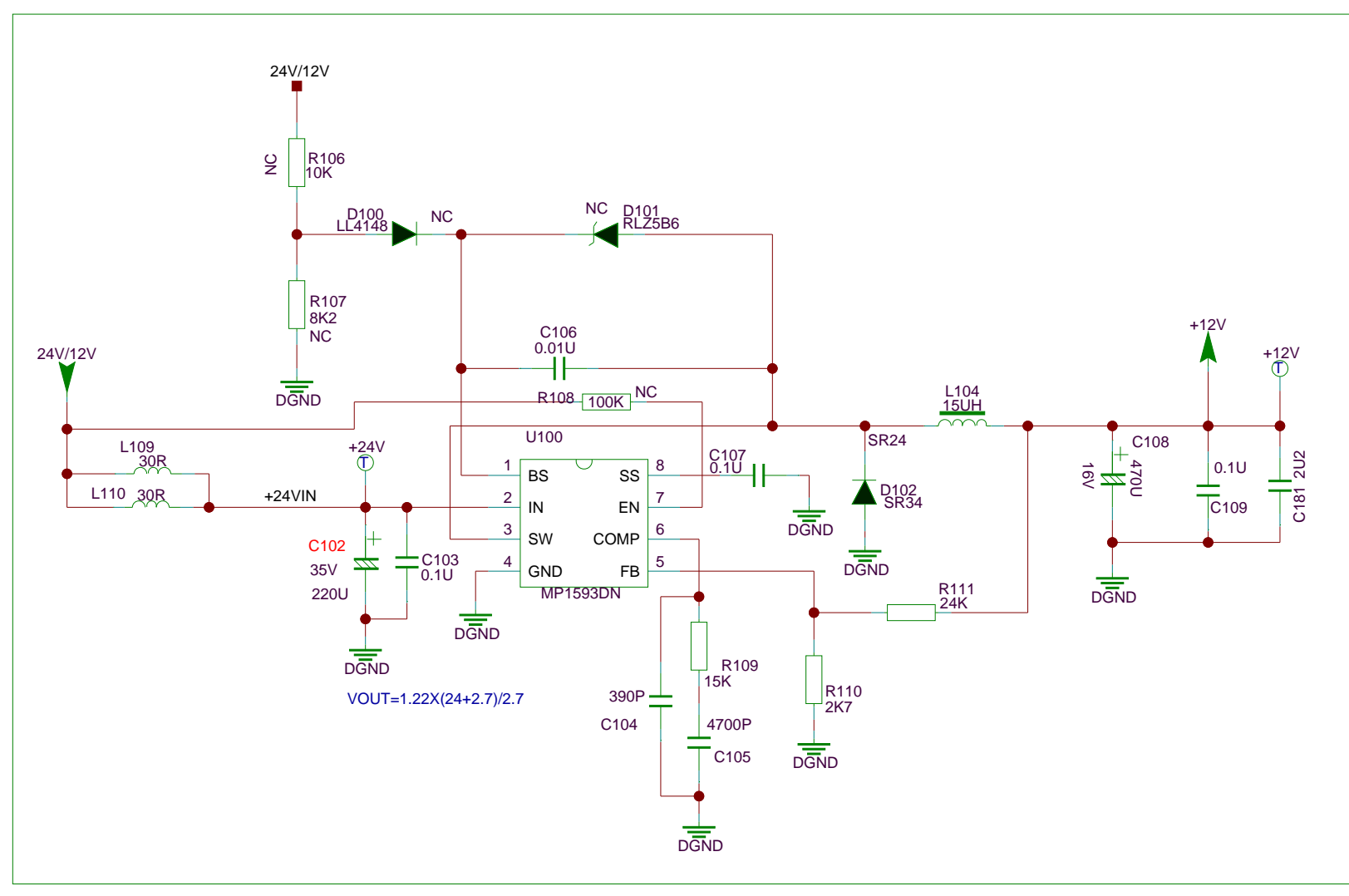
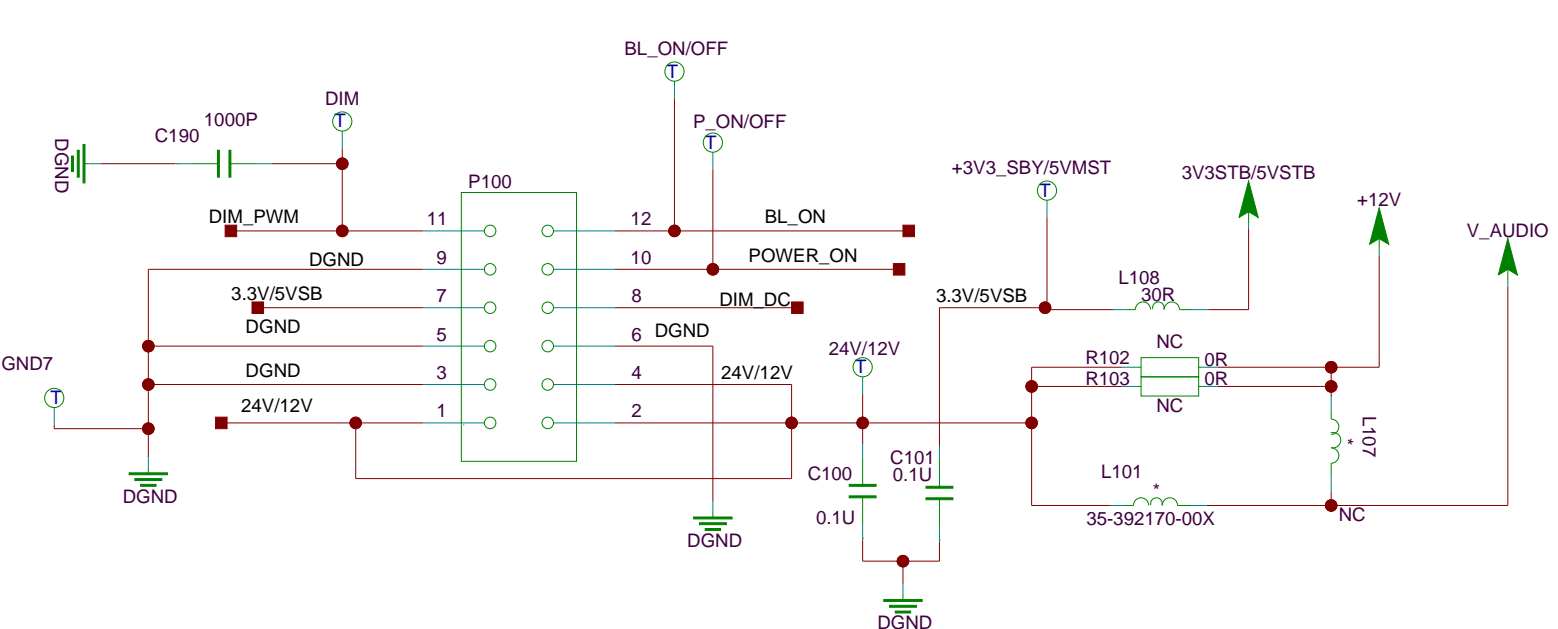


POWER PART



THIS DRAWING CANNOT BE COMMUNICATED TO UNAUTHORIZED PERSONS COPIED UNLESS PERMITTED IN WRITING

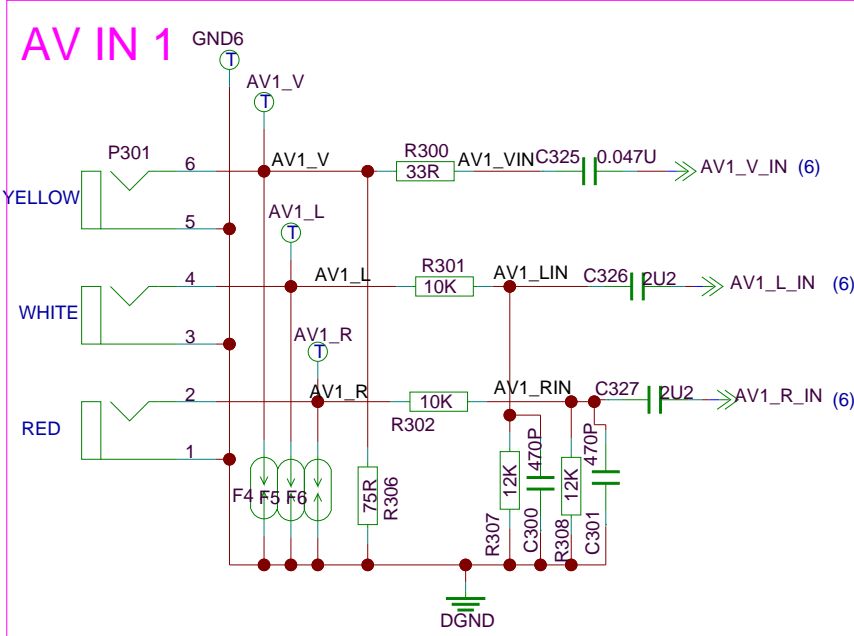
...	DD-MM	...	...	...	SBU :
...	DD-MM	...	...	...	TCLNO:
...	DD-MM	...	...	...	.....
...	DD-MM	...	...	...	DESIGNATION
Index-Lab	DATE	NAME	DESCRIPTION	Last modif	.....

Last saved : 12-24-2010\_18:38

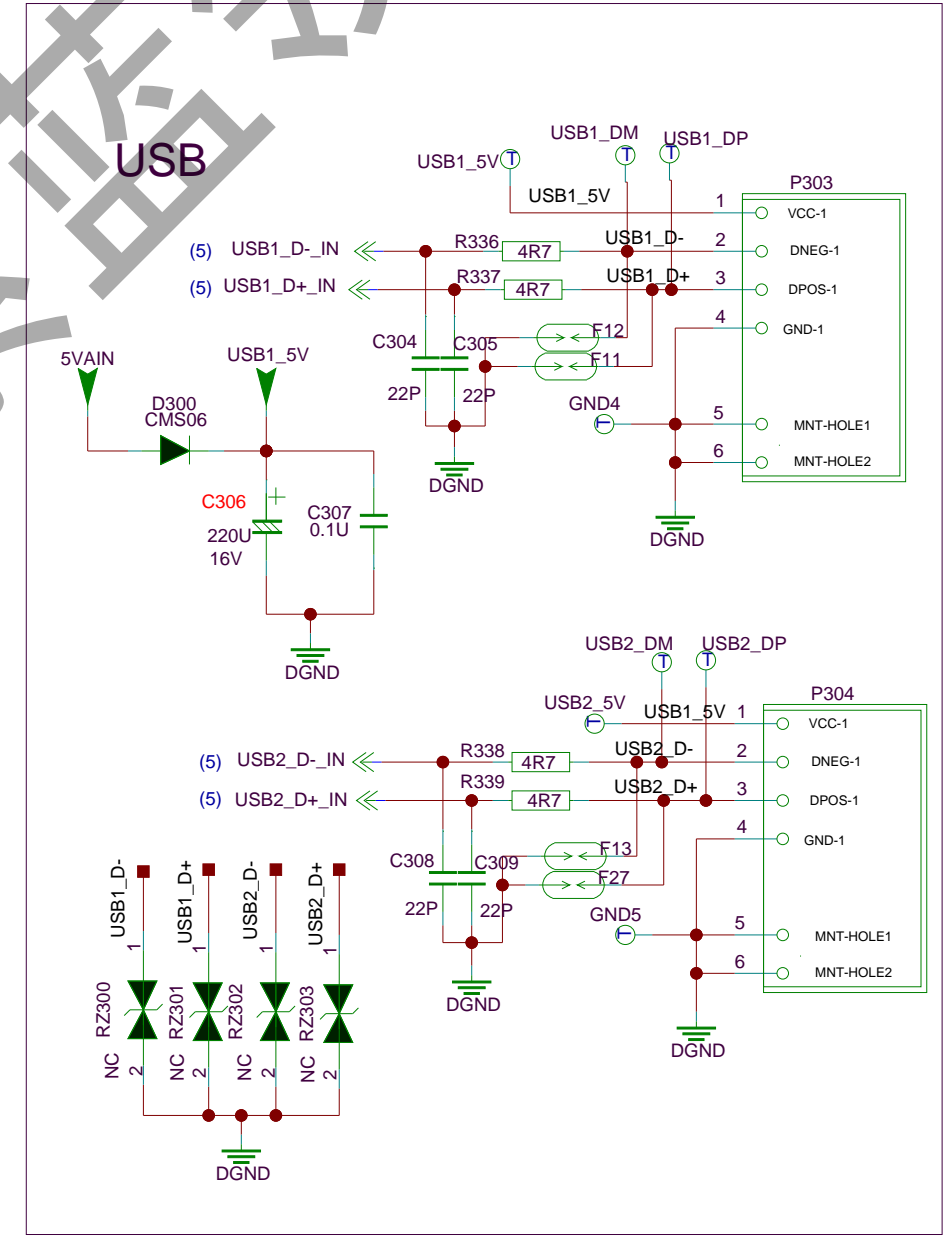
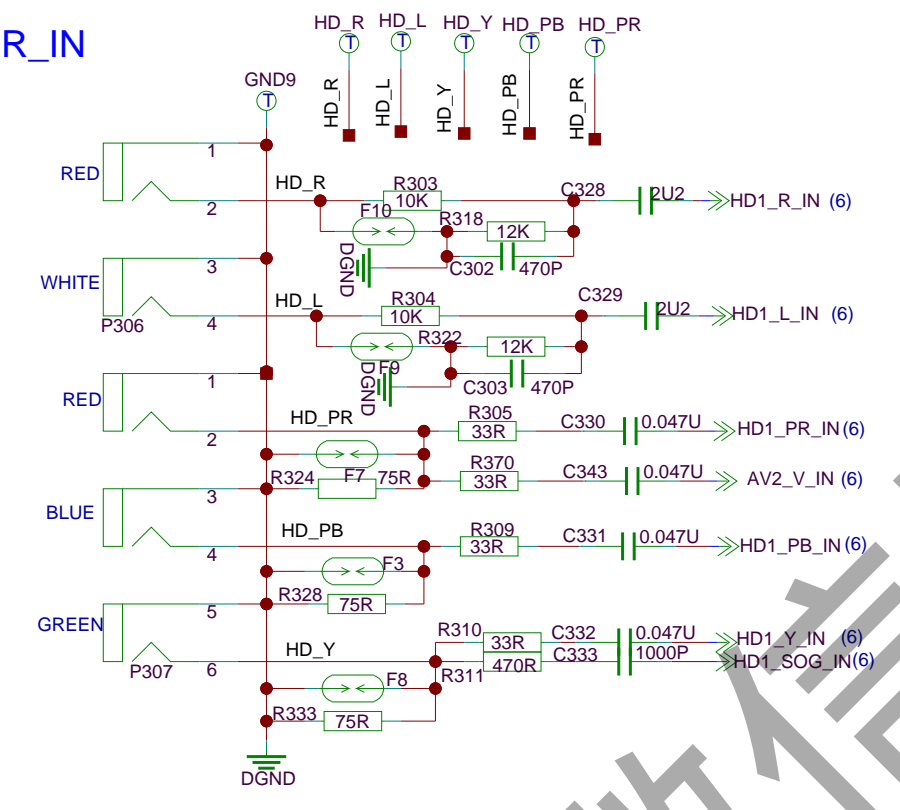
**TCL**

ADDRESS1	CHECKED	PAGE:
ADDRESS2		
ADDRESS3		
33312841	DRAWN	OF :
ON:	CHECKED	
BY:	ON: DD-MM-YY	
	BY: .....	

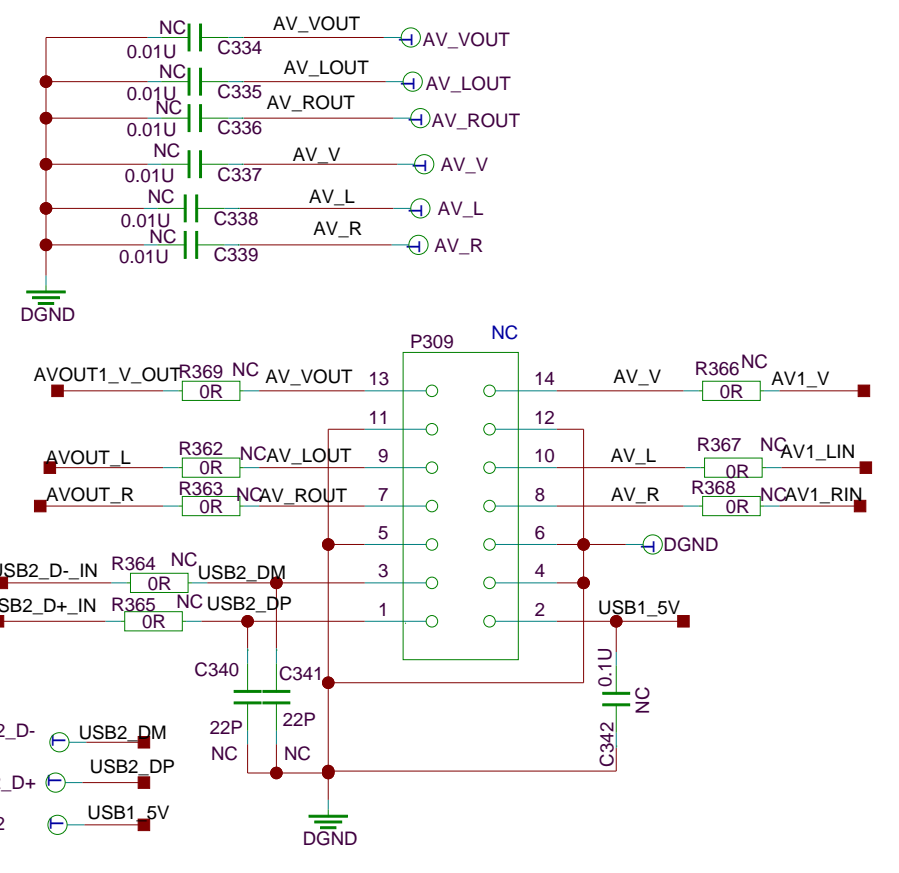
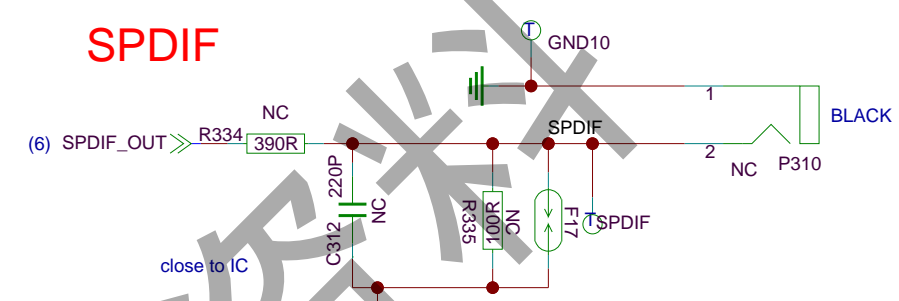




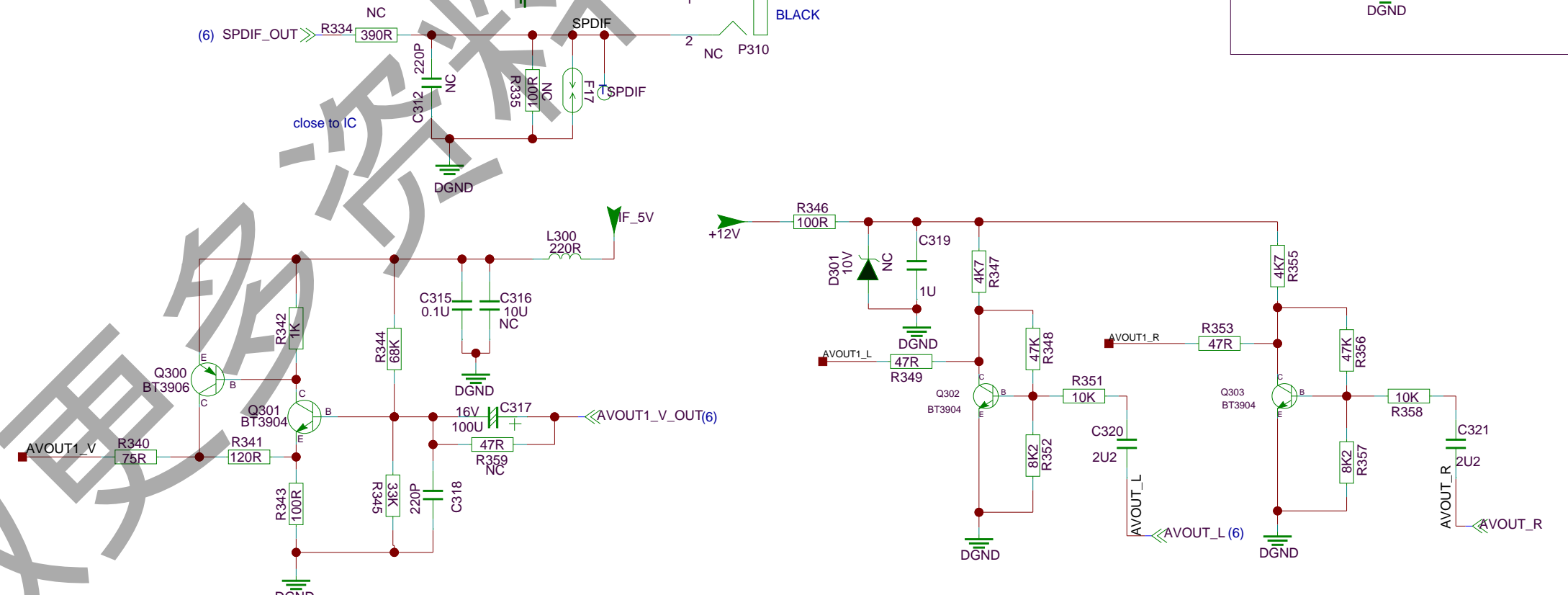
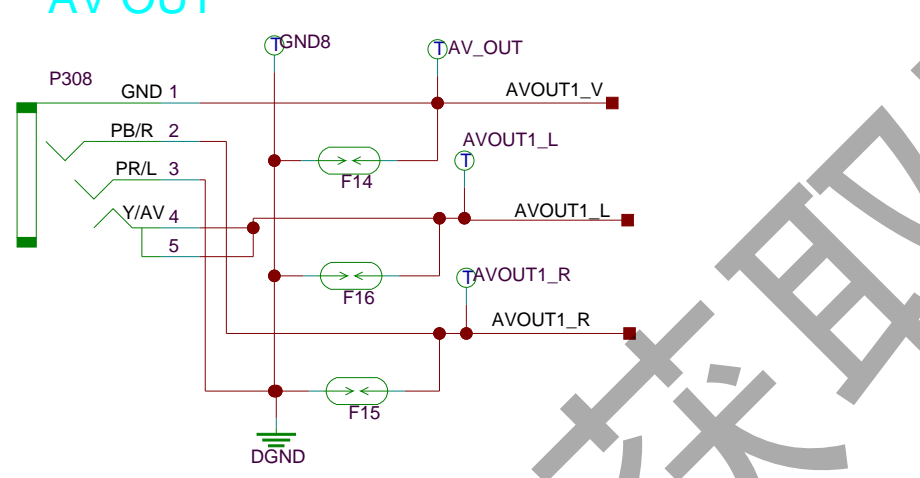
YPBPR\_IN



SPDIF



AV OUT



...	DD-MM	...	...	...	SBU :
...	DD-MM	...	...	...	TCLNO: (6)
...	DD-MM	...	...	...	.....
...	DD-MM	...	...	...	DESIGNATION
Index-Lab	DATE	NAME	DESCRIPTION	Last modif	.....
Last saved : 4-14-2009_15:28					

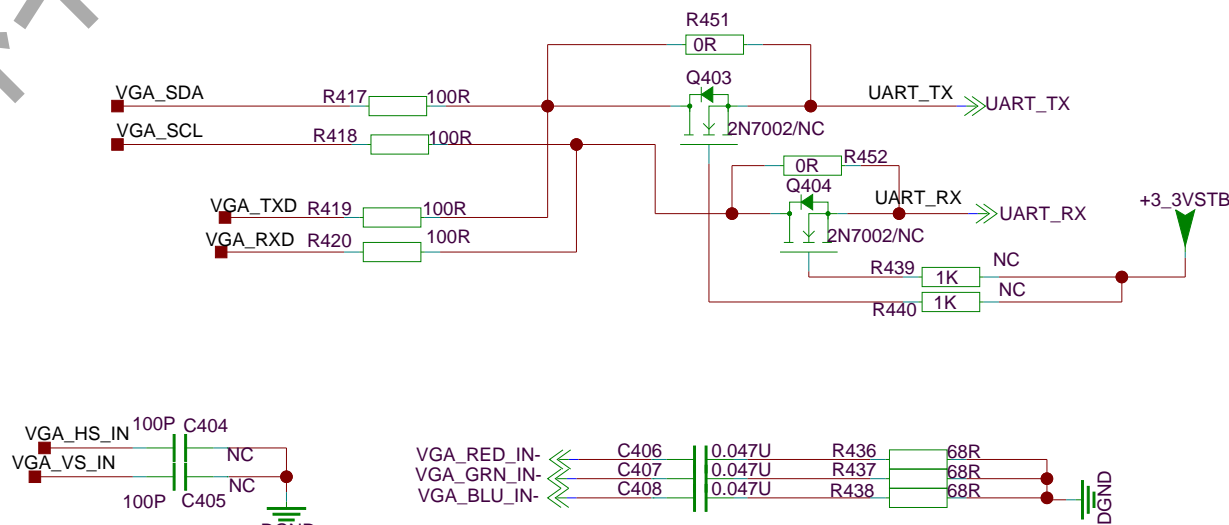
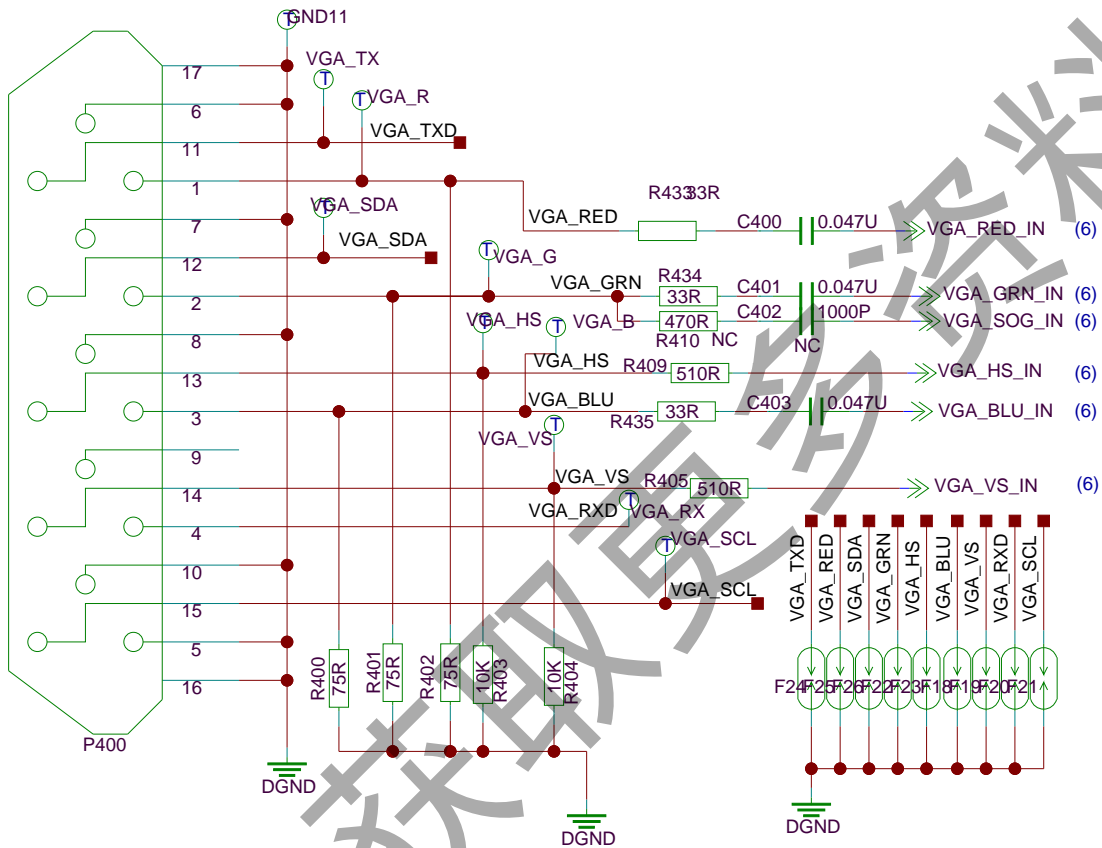
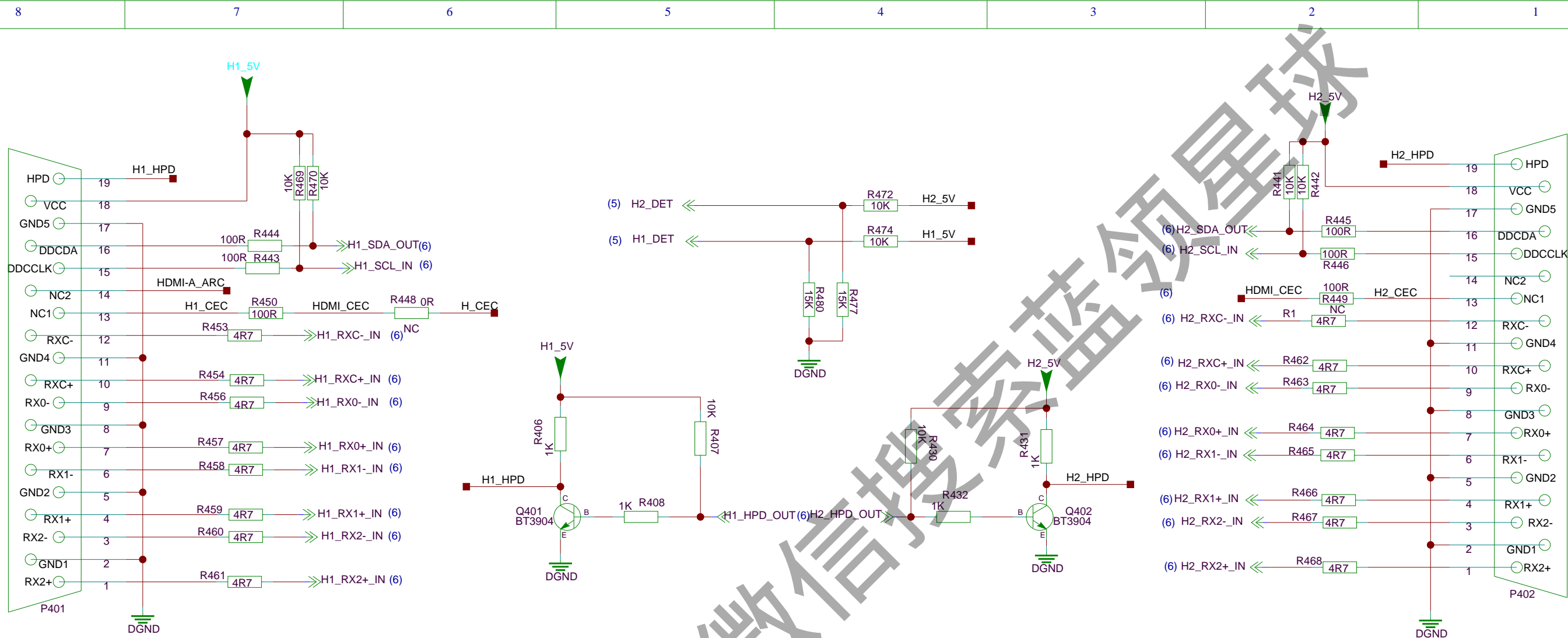
**TCL**

ADDRESS1		DRAWN	
ADDRESS2		ON: DD-MM-YY	
ADDRESS3		BY: .....	
TELEPHONE		PAGE:	
		OF :	

THIS DRAWING CANNOT BE COMMUNICATED TO UNAUTHORIZED PERSONS COPIED UNLESS PERMITTED IN WRITING



THIS DRAWING CANNOT BE COMMUNICATED TO UNAUTHORIZED PERSONS UNLESS PERMITTED IN WRITING



...	DD-MM	...	...	...	SBU :
...	DD-MM	...	...	...	TCLNO:
...	DD-MM	...	...	...	.....
...	DD-MM	...	...	...	DESIGNATION
Index-Lab	DATE	NAME	DESCRIPTION	Last modif	.....

Last saved : 4-14-2009\_15:30

**TCL**

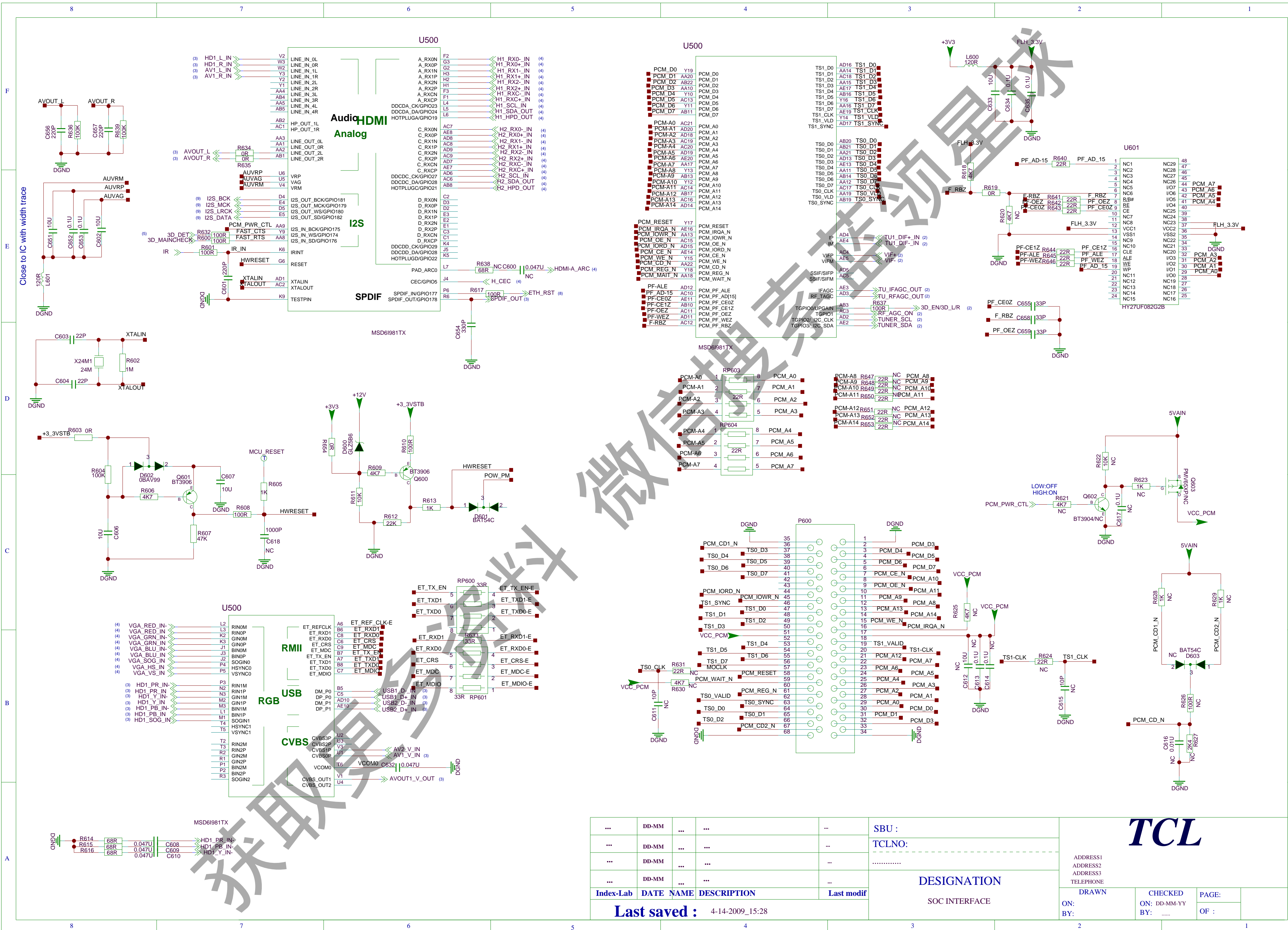
ADDRESS1  
ADDRESS2  
ADDRESS3  
TELEPHONE

DRAWN	CHECKED	PAGE:
ON: BY:	ON: DD-MM-YY	OF :





THIS DRAWING CANNOT BE COMMUNICATED TO UNAUTHORIZED PERSONS COPIED UNLESS PERMITTED IN WRITING



Index-Lab	DATE	NAME	DESCRIPTION	Last modif
...	DD-MM	...	...	...
...	DD-MM	...	...	...
...	DD-MM	...	...	...
...	DD-MM	...	...	...

SBU :  
 TCLNO:  
 .....  
**DESIGNATION**  
 SOC INTERFACE

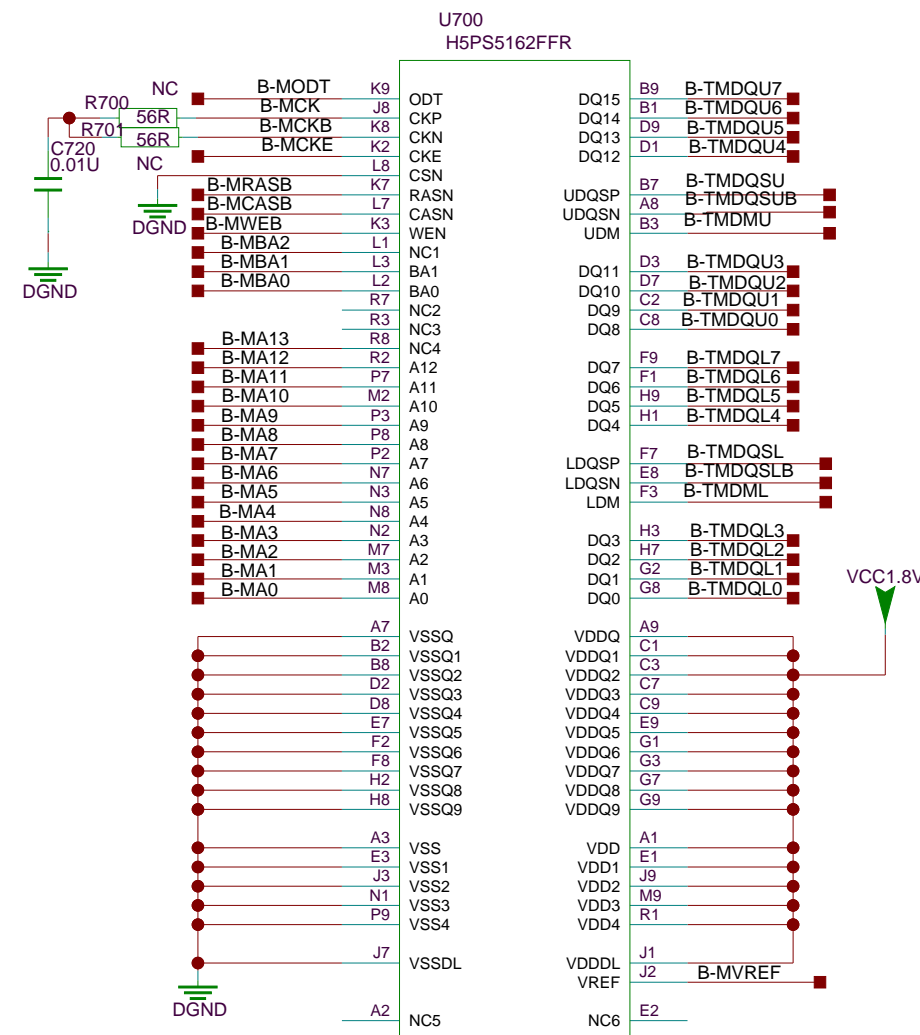
TCL

ADDRESS1  
 ADDRESS2  
 ADDRESS3  
 TELEPHONE

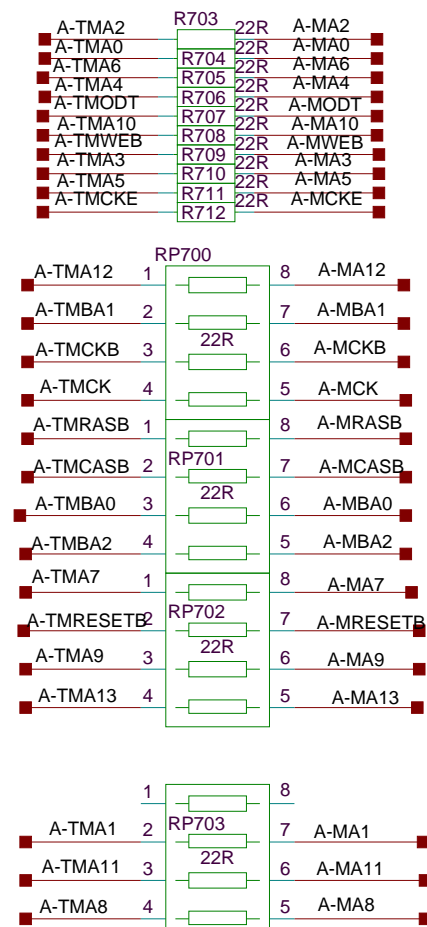
DRAWN	CHECKED	PAGE:
BY:	ON: DD-MM-YY	OF :

Last saved : 4-14-2009\_15:28

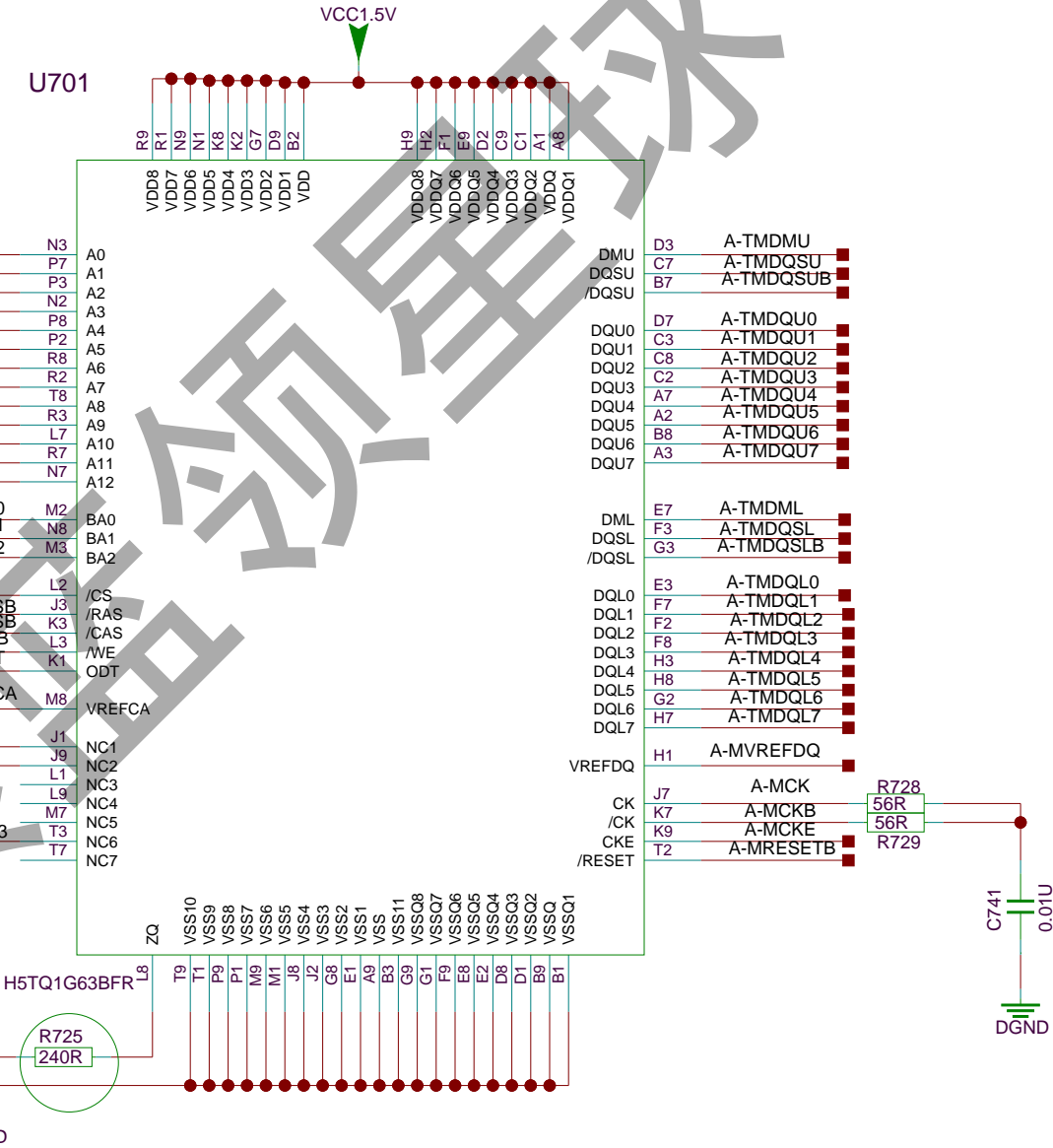
DDR2



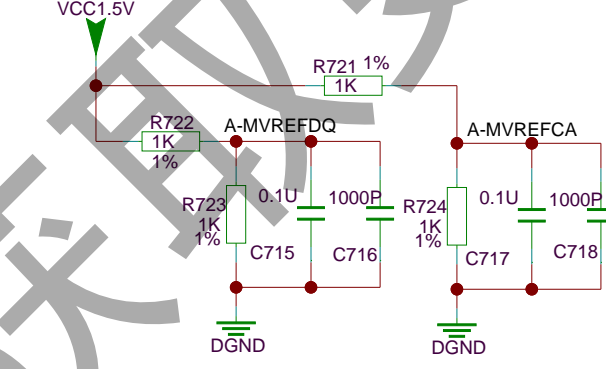
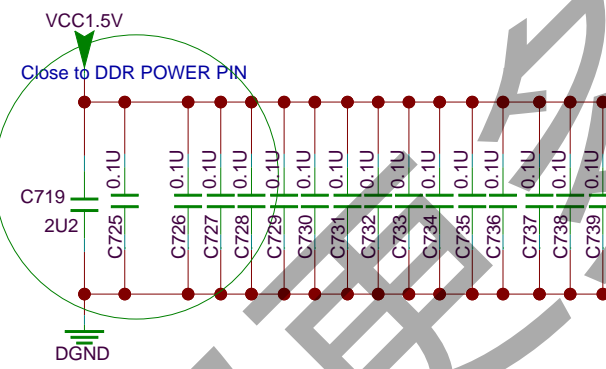
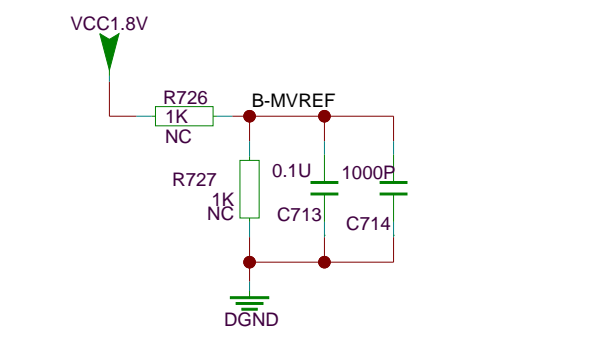
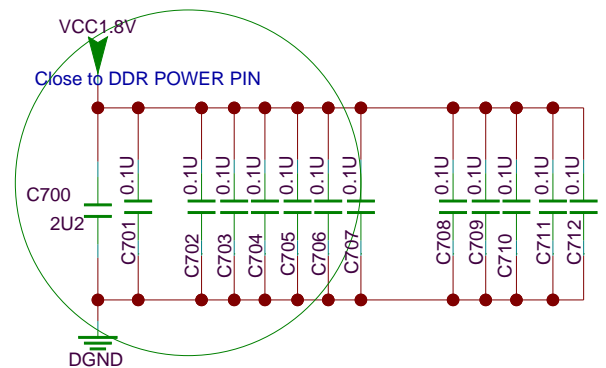
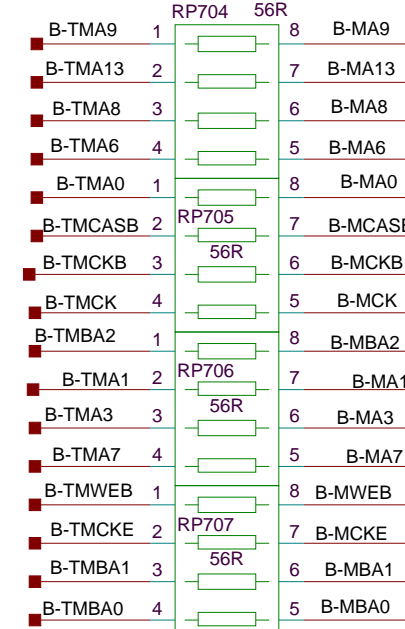
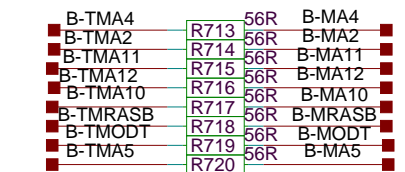
(MST IC) (DDR3 memory)



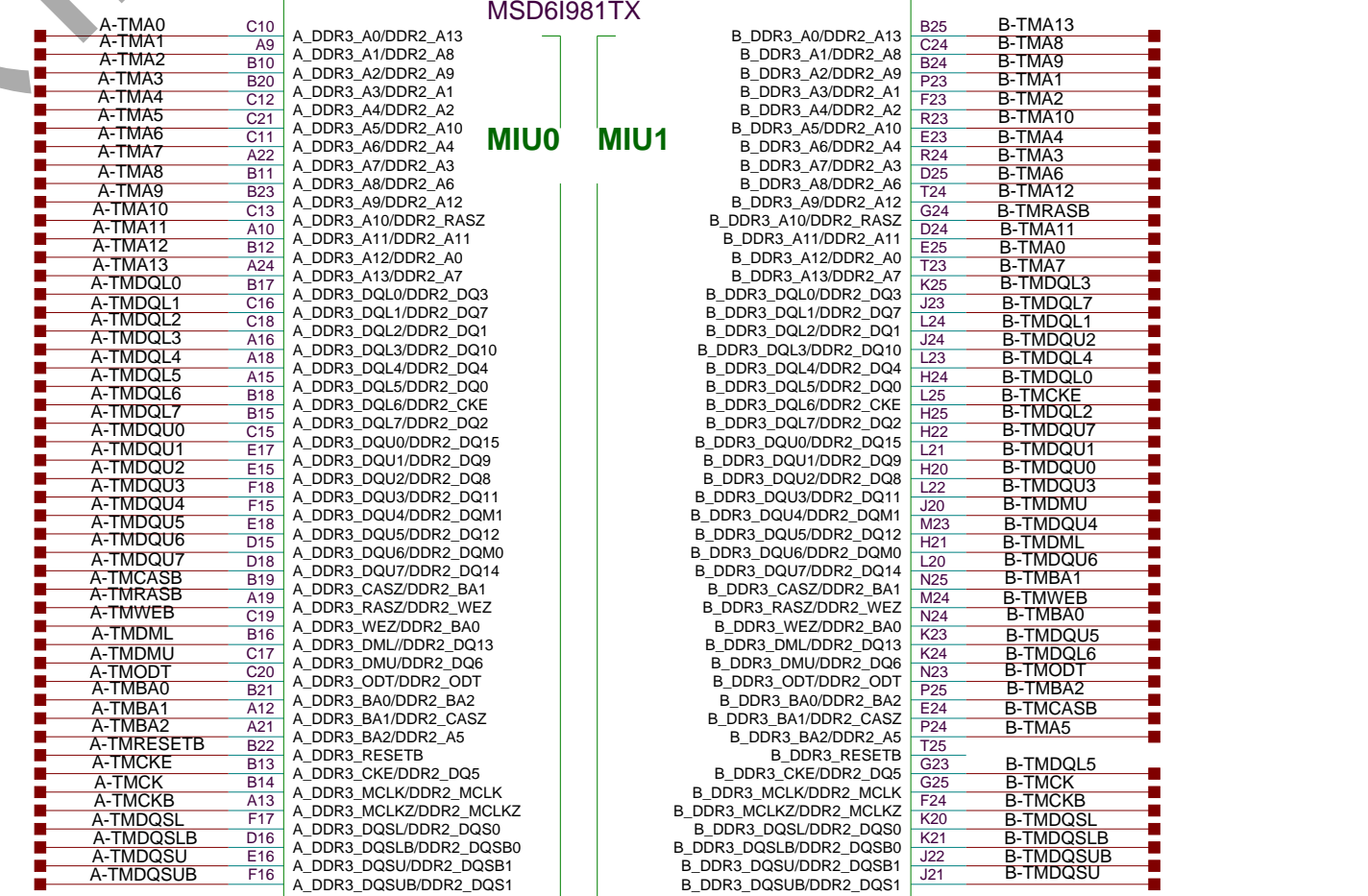
DDR3



(MST IC) (DDR2 memory)



U500



THIS DRAWING CANNOT BE COMMUNICATED TO UNAUTHORIZED PERSONS. COPIED UNLESS PERMITTED IN WRITING

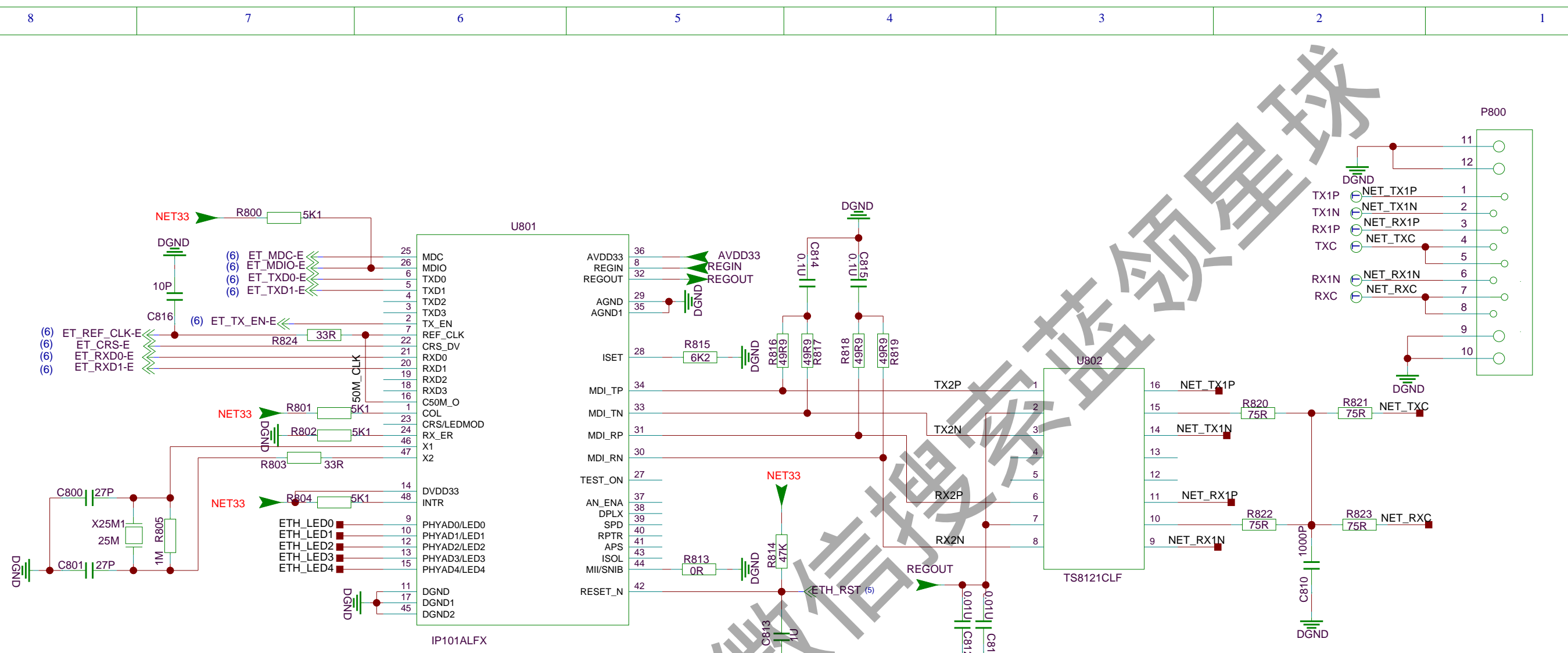
...	DD-MM	...	...	...	SBU:
...	DD-MM	...	...	...	TCLNO:
...	DD-MM	...	...	...	DESIGNATION
...	DD-MM	...	...	...	.....
Index-Lab	DATE	NAME	DESCRIPTION	Last modif	.....
Last saved : 4-14-2009_15:28					

TCL

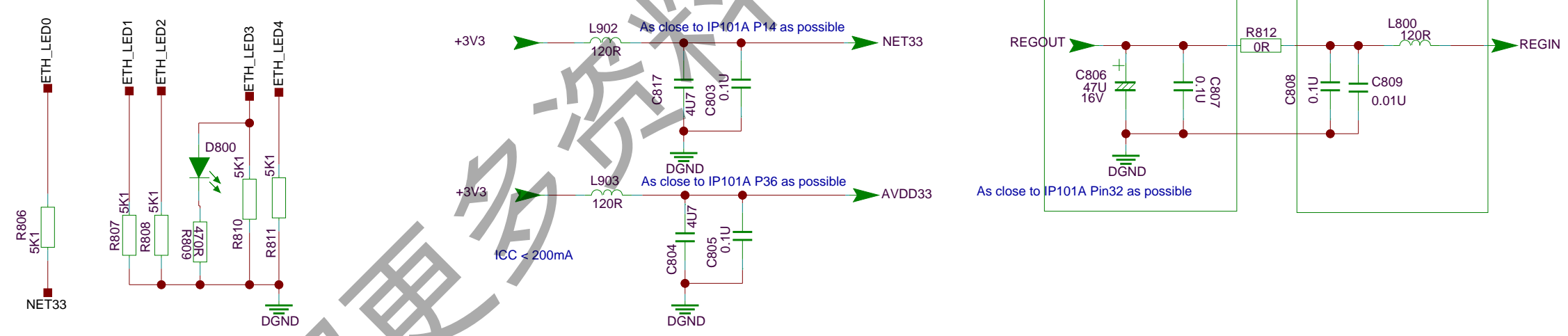
ADDRESS1 ADDRESS2 ADDRESS3 TELEPHONE		
DRAWN	CHECKED	PAGE:
ON:	ON: DD-MM-YY	OF :
BY:	BY: .....	



THIS DRAWING CANNOT BE COMMUNICATED TO UNAUTHORIZED PERSONS COPIED UNLESS PERMITTED IN WRITING



This schematic sets PHY



...	DD-MM	...	...	...	SBU :
...	DD-MM	...	...	...	TCLNO:
...	DD-MM	...	...	...	.....
...	DD-MM	...	...	...	DESIGNATION
Index-Lab	DATE	NAME	DESCRIPTION	Last modif	.....
Last saved : 4-14-2009_15:30					

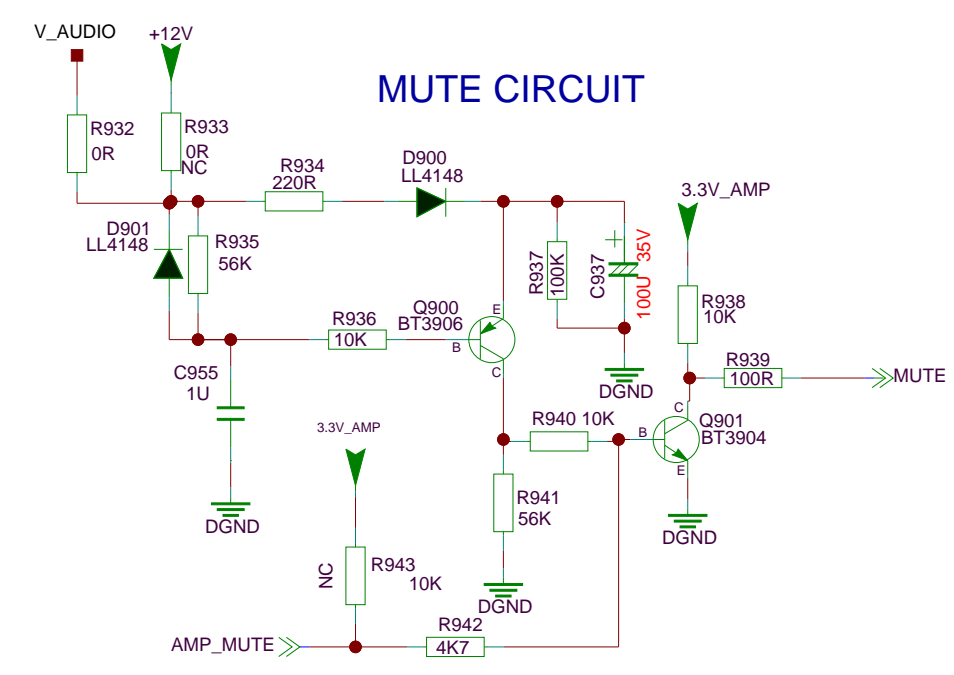
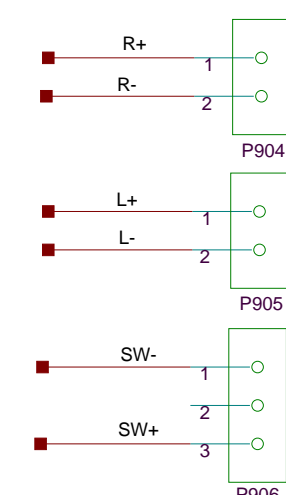
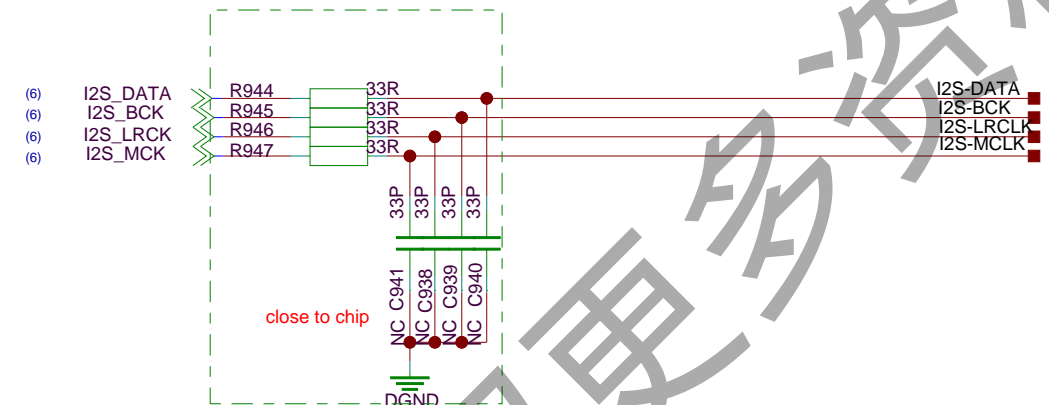
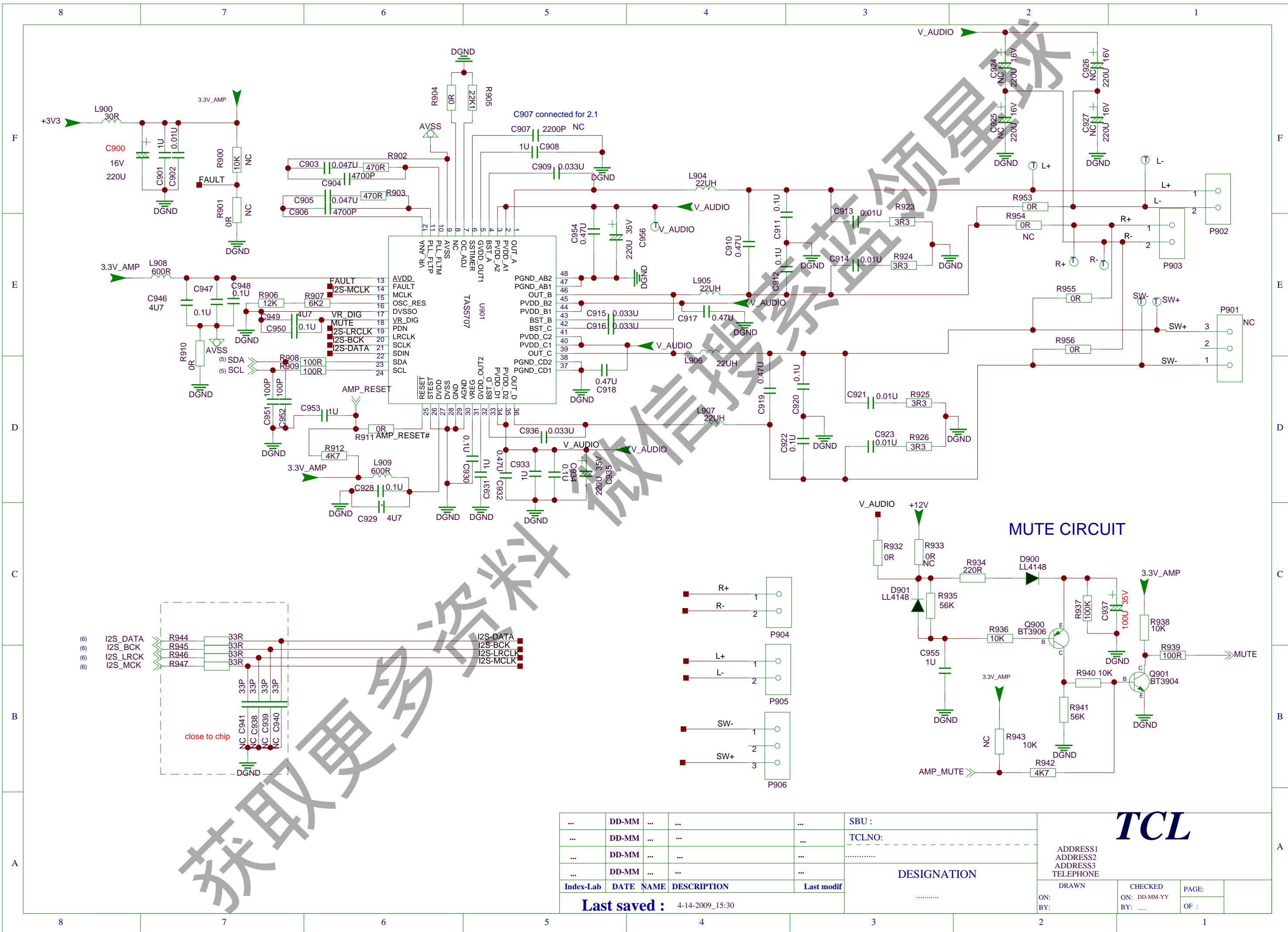
**TCL**

ADDRESS1  
ADDRESS2  
ADDRESS3  
TELEPHONE

DRAWN	CHECKED	PAGE:
ON:	ON: DD-MM-YY	8
BY:	BY: .....	OF : 20



THIS DRAWING CANNOT BE COMMUNICATED TO UNAUTHORIZED PERSONS COPIED UNLES S PERMITTED IN WRITING



...	DD-MM	...	...	...	SBU :	<b>TCL</b>
...	DD-MM	...	...	...	TCLNO:	
...	DD-MM	...	...	...	.....	
...	DD-MM	...	...	...	DESIGNATION	
Index-Lab	DATE	NAME	DESCRIPTION	Last modif	.....	ADDRESS1 ADDRESS2 ADDRESS3 TELEPHONE
Last saved : 4-14-2009_15:30						DRAWN
						CHECKED
						PAGE:
						ON: DD-MM-YY
						BY: .....
						OF :