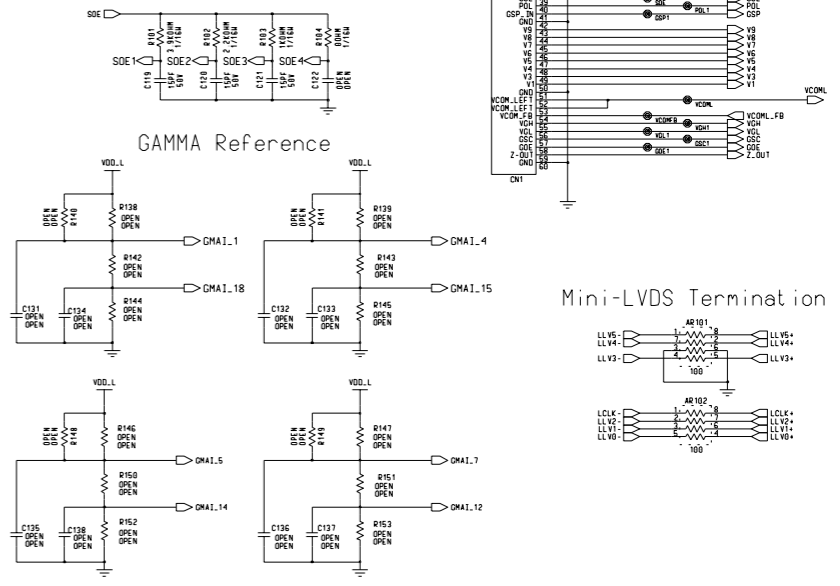


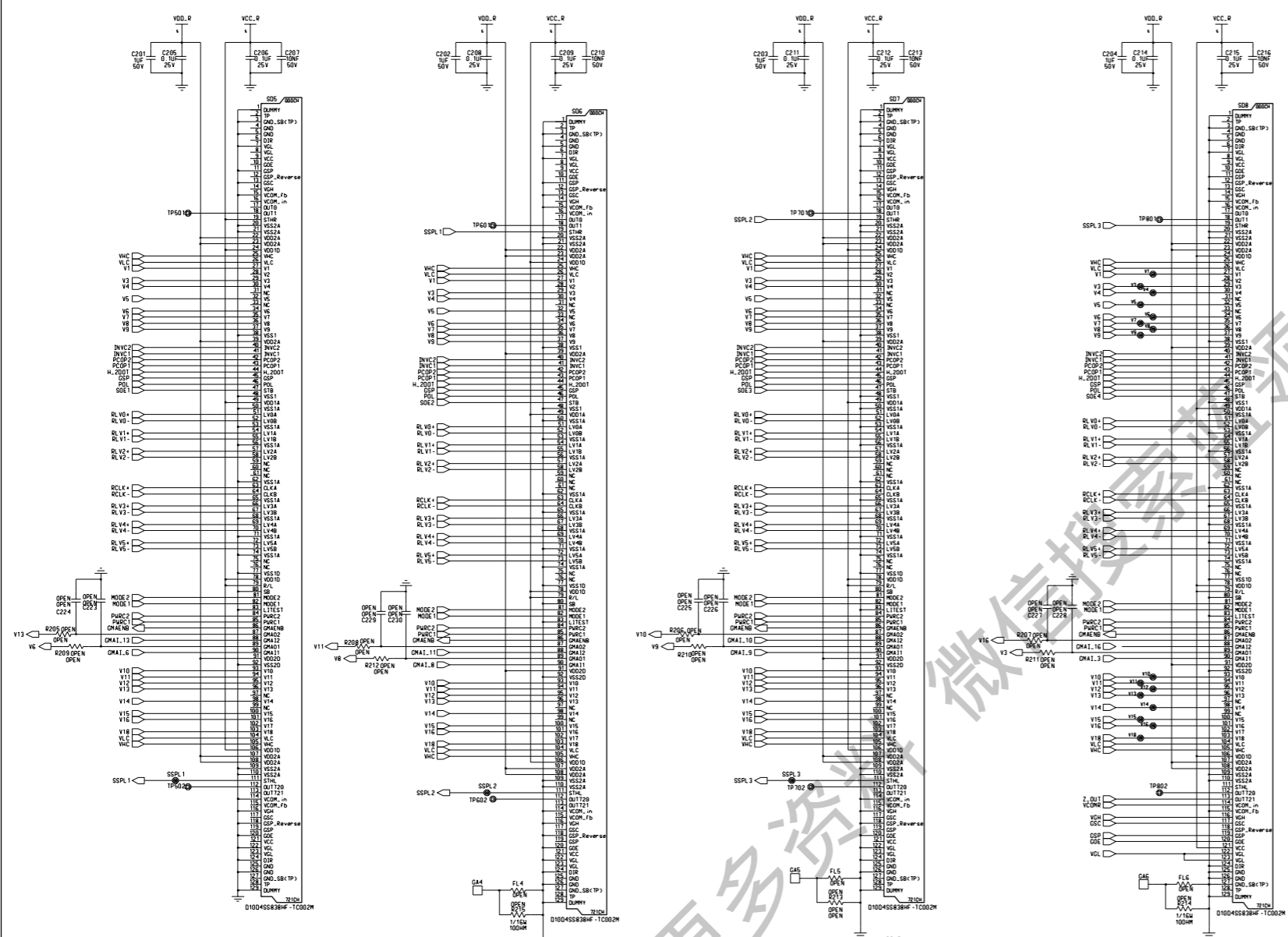
- [ H\_2DOT ] : INVERSION SELECT CONTROL  
 L : Horizontal 2 Dot inversion Disable  
 H : Horizontal 2 Dot inversion Enable
- [ SB ] : Bus-Line Set-Back Selection  
 L : D0(+) ==>D7(-)    H : D7(-) ==>D0(+)
- [ RL ] : Data Latch direction Control  
 L : 720,719 ==> 2,1    H : 1,2 ==> 719, 720
- [ DIR ] : Data Shift direction Control  
 L : D102 ==>X270 ==>X1 ==> D101  
 H : D101 ==>X1 ==>X270 ==> D102
- [ PWRC ] : Output buffer power Control  
 HH : Maximum, HL : Medium Large, LH : Medium Small, LL : Minimum
- [ PCOP ] : Pre-charge width select  
 HH : 320clk, HL : 240clk, LH : 160clk, LL : 0clk
- [ MODE ] : Output operation Control  
 HH : H-Z, HL : Charge Sharing, LL : Pre-charge
- [ GMAENB ] : Gamma buffer enable Selection  
 H : Disable, L : Enable



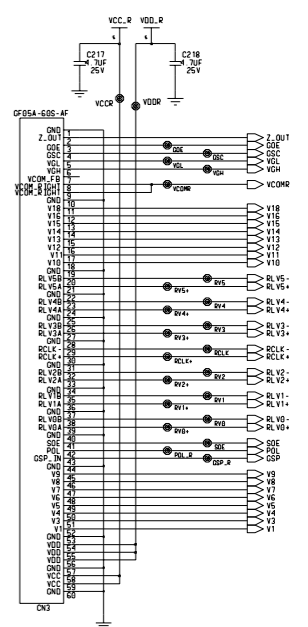
SOURCE D-IC OPTION



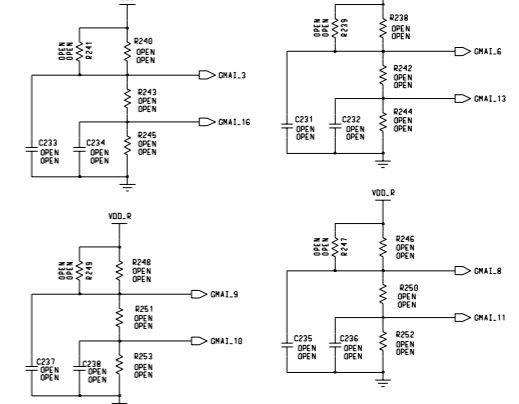
LC420WUN-SAA1-G31  
 SOURCE LEFT SCHEMATIC



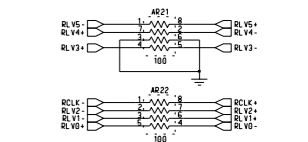
- [ H\_2DOT ] : INVERSION SELECT CONTROL  
L : Horizontal 2 Dot inversion Disable  
H : Horizontal 2 Dot inversion Enable
- [ SB ] : Bus-Line Set-Back Selection  
L : D0(+)=>D7(-)    H : D7(-)=>D0(+)
- [ RL ] : Data Latch direction Control  
L : 720,719 => 2,1    H : 1,2 => 719, 720
- [ DIR ] : Data Shift direction Control  
L : D102=>X270 =>X1=>D102  
H : D101=>X1 =>X270=>D102
- [ PWRC ] : Output buffer power Control  
HH : Maximum, HL : Medium Large, LH : Medium Small, LL : Minimum
- [ PCOP ] : Pre-charge width select  
HH : 320clk, HL : 240clk, LH : 160clk, LL : 80clk
- [ MODE ] : Output operation Control  
HH : H-2, HL LH : Charge Sharing, LL : Pre-charge
- [ GMAENB ] : Gamma buffer enable Selection  
H : Disable, L : Enable



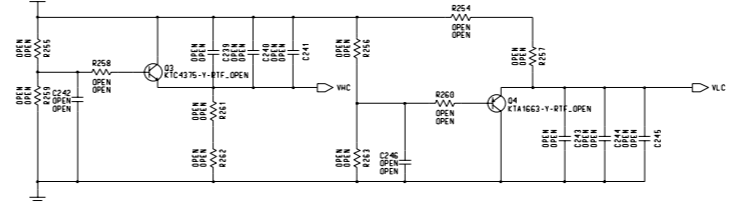
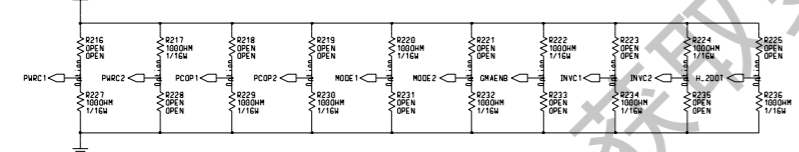
Gamma Reference



Mini-LVDS Termination



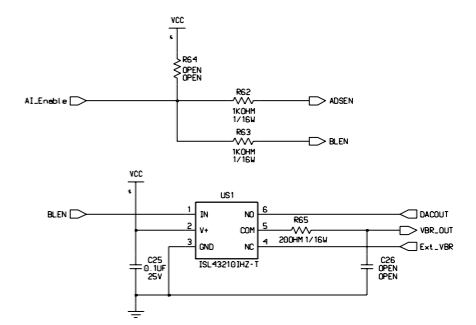
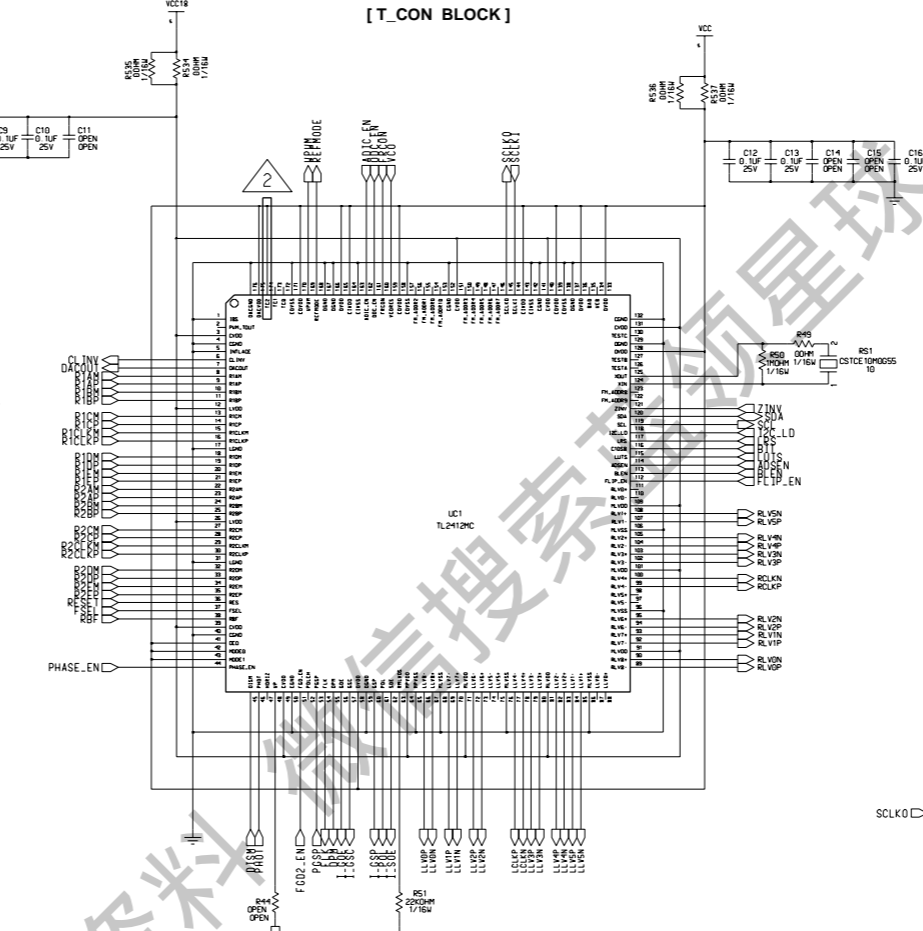
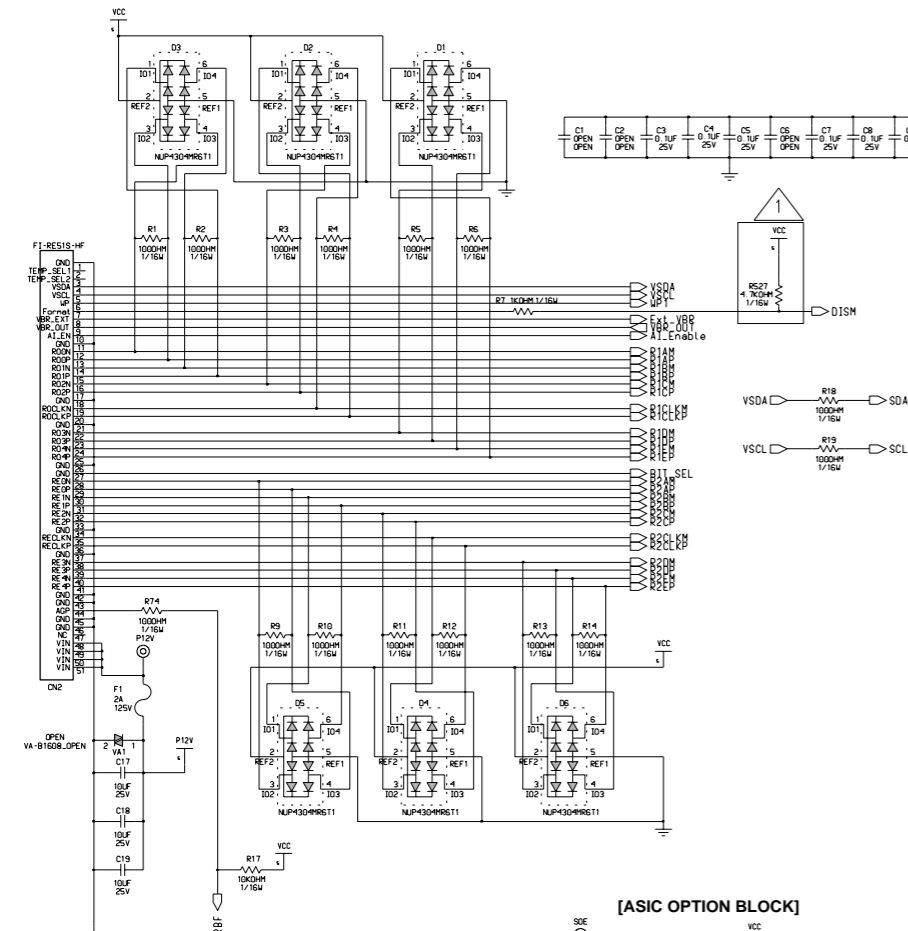
SOURCE D-IC OPTION



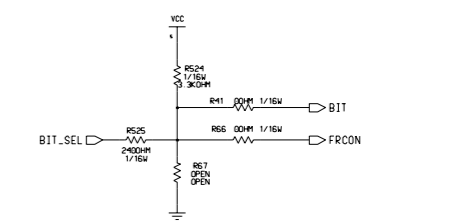
[USER CONNECTOR]

[T\_CON BLOCK]

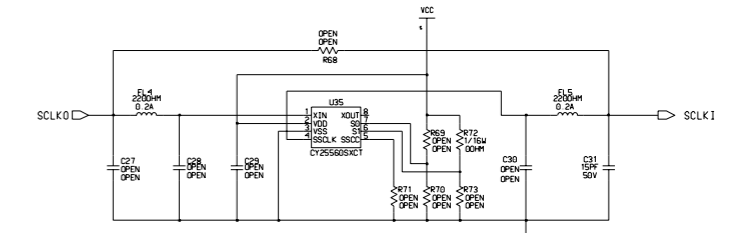
[AI I/F BLOCK]



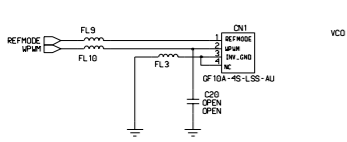
[BIT & FRC selection]



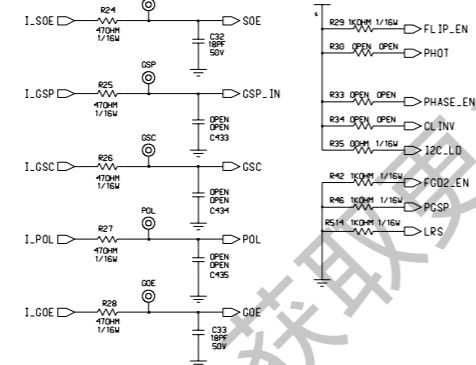
[SPREAD SPECTRUM]



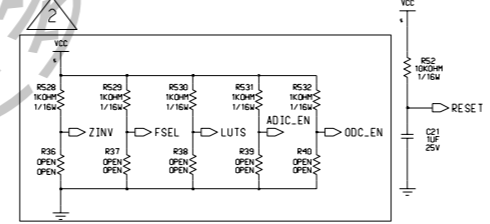
[INVERTER SYNC CONNECTOR]



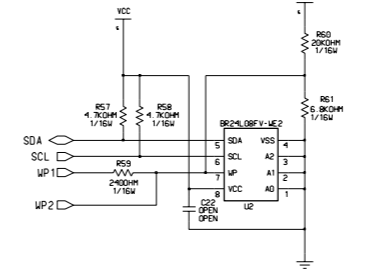
[ASIC OPTION BLOCK]



[T\_CON RESET BLOCK]



[EEPROM BLOCK]



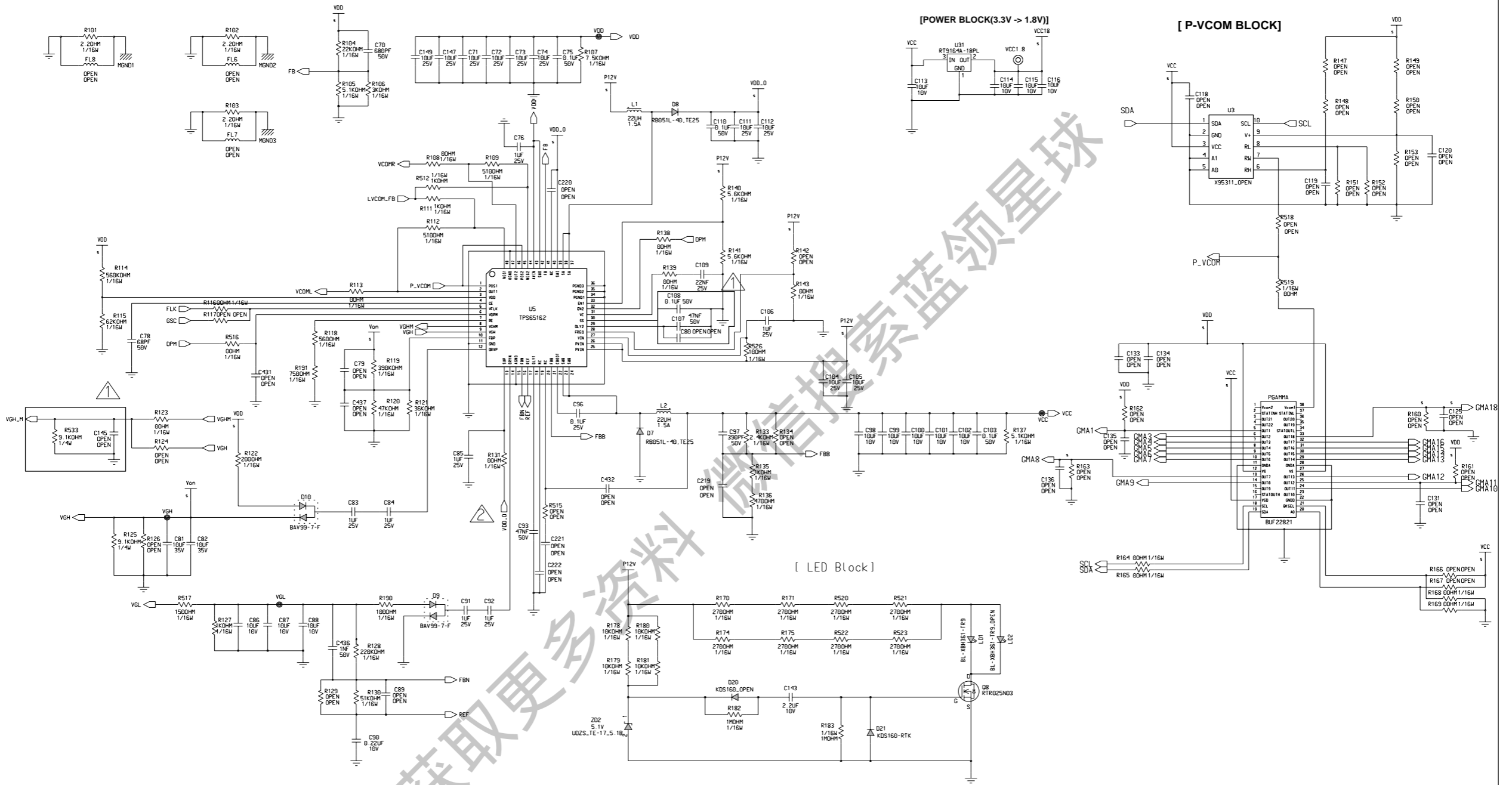
[ MECH\_CIRCUIT\_GND BLOCK ]

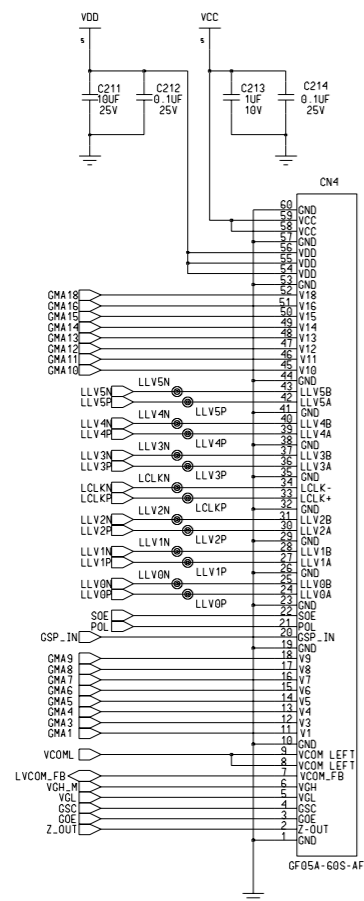
[ POWER BLOCK ]

[ POWER BLOCK(3.3V -> 1.8V) ]

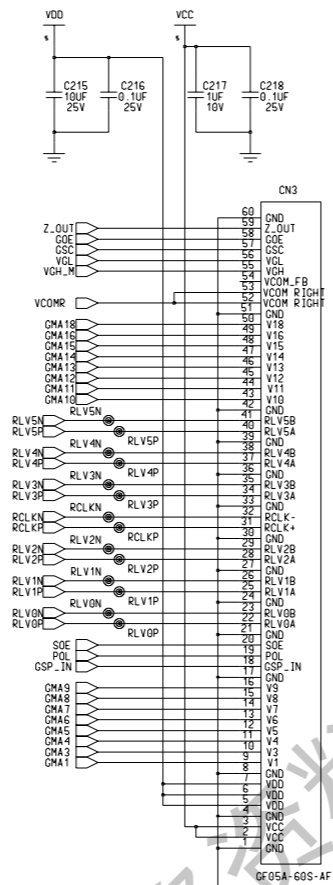
[ P-VCOM BLOCK ]

[ LED Block ]





[CONTROL-SOURCE LEFT CONNECTOR]

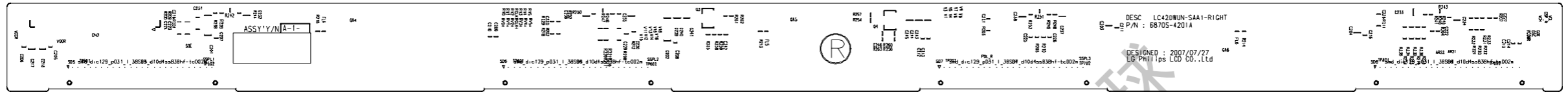


[CONTROL-SOURCE RIGHT CONNECTOR]

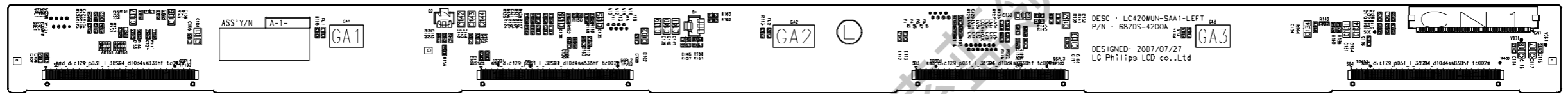
获取更多资料 微信搜索 蓝领星球

# Printed Circuit Board / 회로기판

## SOURCE(Right\_Top)



## SOURCE(Left\_Top)



## Control(Top)

