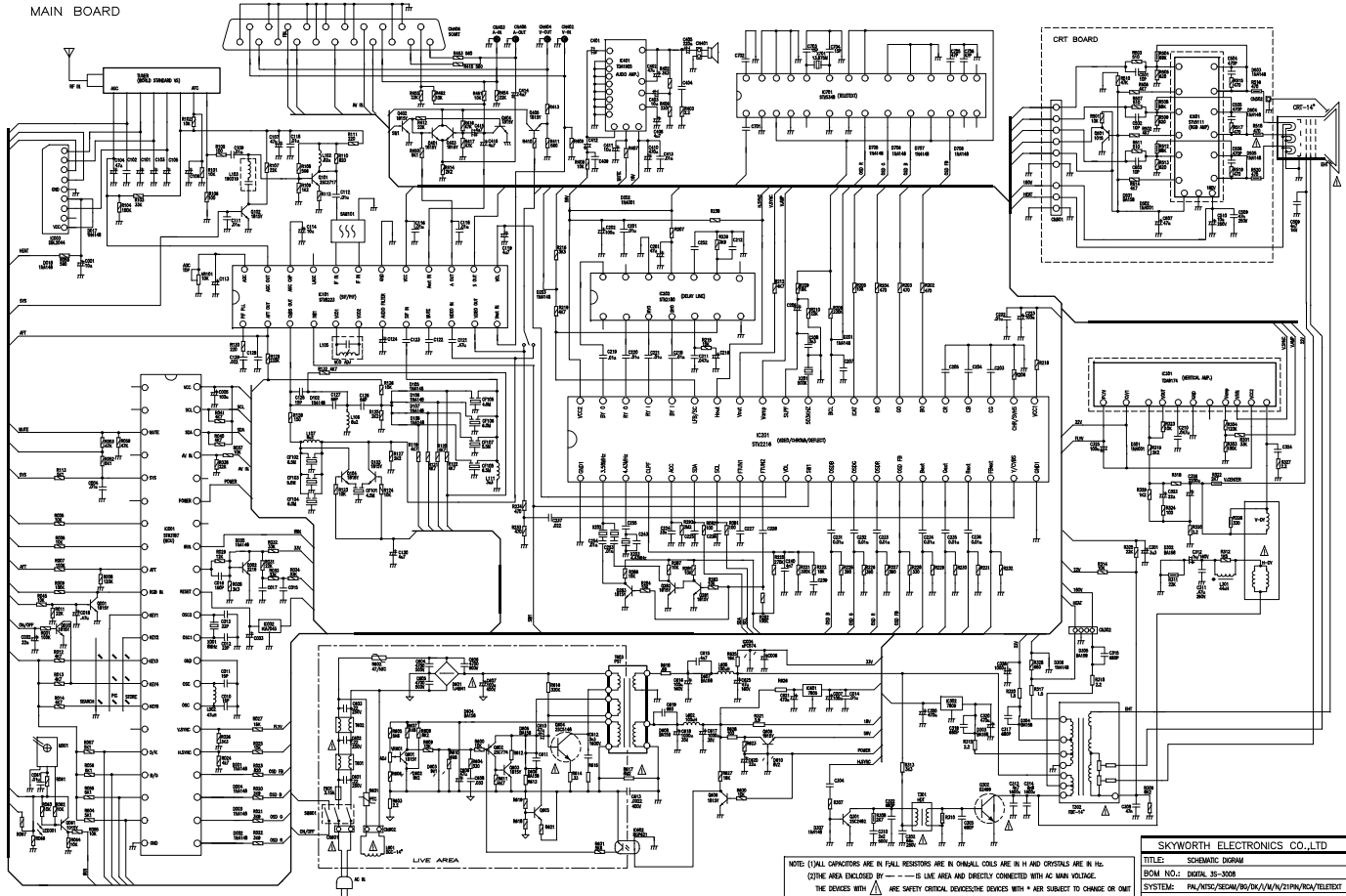


MAIN BOARD



NOTES: (1) ALL CAPACITORS ARE IN FARAD. RESISTORS ARE IN OHMS. COILS ARE IN H AND ORINDS ARE IN HZ.  
 (2) THE AREA ENCLOSED BY — — IS LIVE AREA AND DIRECTLY CONNECTED WITH AC MAIN VOLTAGE.  
 THE DEVICES WITH ⚡ ARE SAFETY CRITICAL. DO NOT TOUCH THESE DEVICES WITH + HAND SUBJECT TO CHANGE OR OMT ACCORDING AS DIFFERENT TV SETS.  
 (3) THIS CIRCUIT DIAGRAM IS SUBJECT TO CHANGE WITHOUT PRIOR NOTICE.

SKYWORTH ELECTRONICS CO., LTD	
TITLE:	SCHEMATIC DIAGRAM
DCOM NO.:	DCOM 35-3008
SYSTEM:	PA1/PA2/25CM/30/30A/31A/21P/PA/CA/TELEST
P/No	
REV DATE:	1988-10
DRAWN BY:	HGX