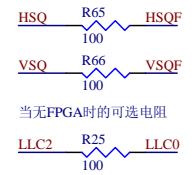
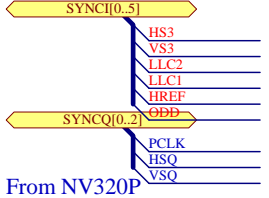
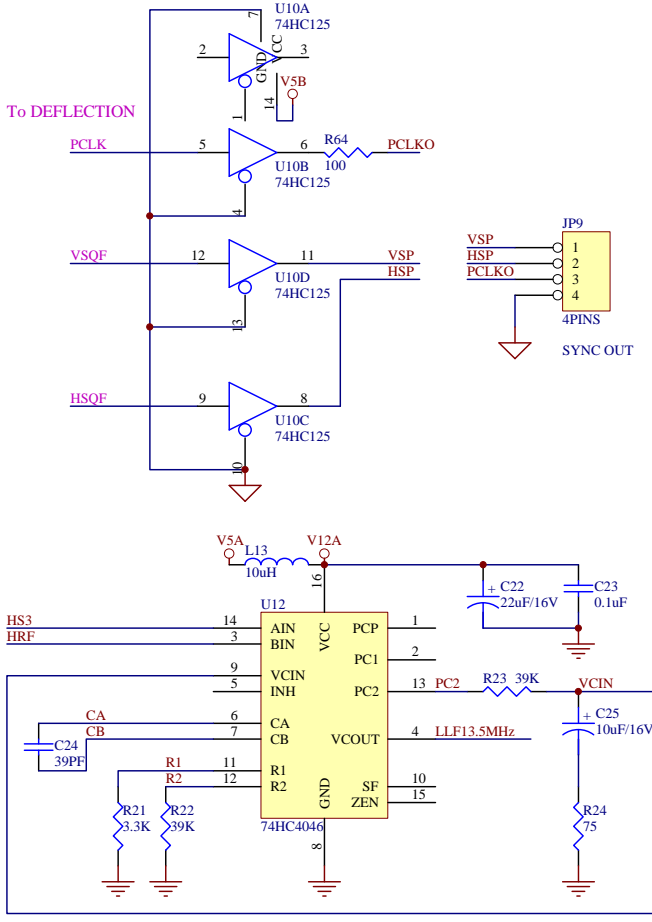
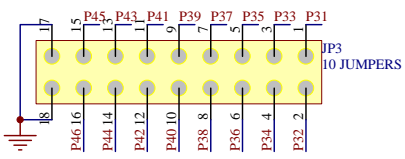
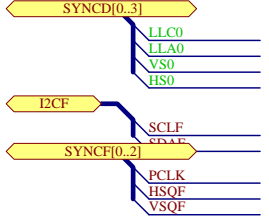


From VPC3210P



To NV320P



Title		
NV320P Application Board - Sync Generator		
Size	Number	Revision
A4	00801242000	A
Date:	8-Jun-2002	Sheet of 8/8
File: D:\Program Files\Design Explorer 99 SE\Examples\PCB Auto-Routing\Sync.DDB		