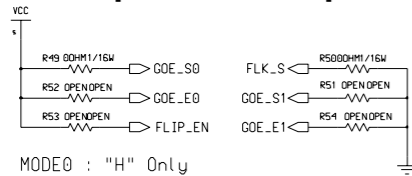
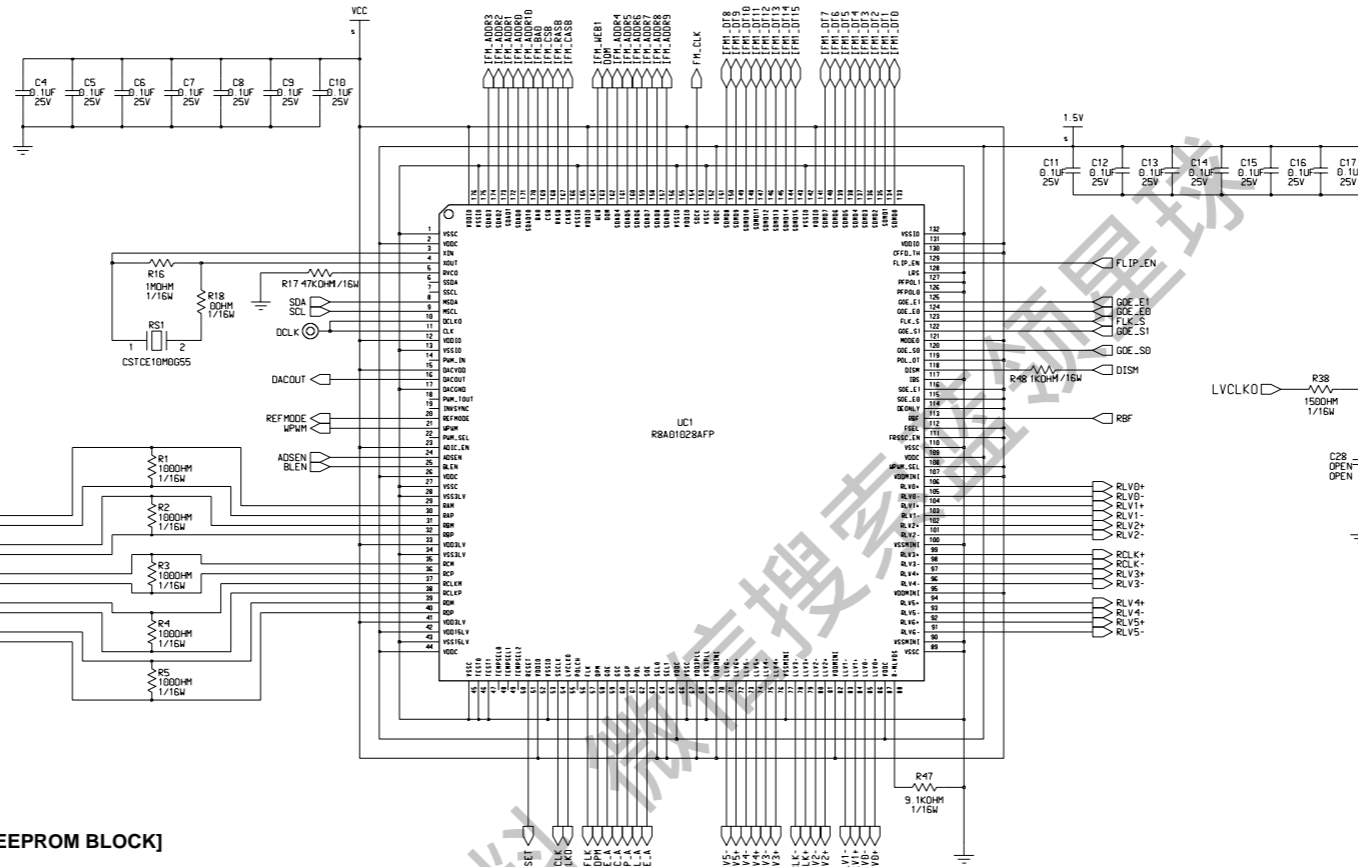


[ASIC OPTION BLOCK]

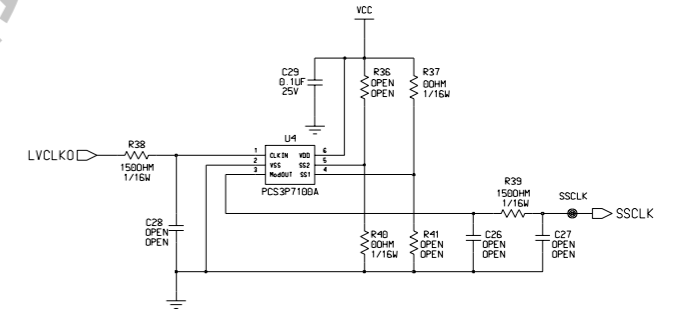


MODE0 : "H" Only
 ADIC_EN : "H" Only
 CFFD_TH : "H" Only
 WPWM_SEL : "H" Only
 SOE_E1&E0 : "HH" Only
 POL_OT : "H" Only

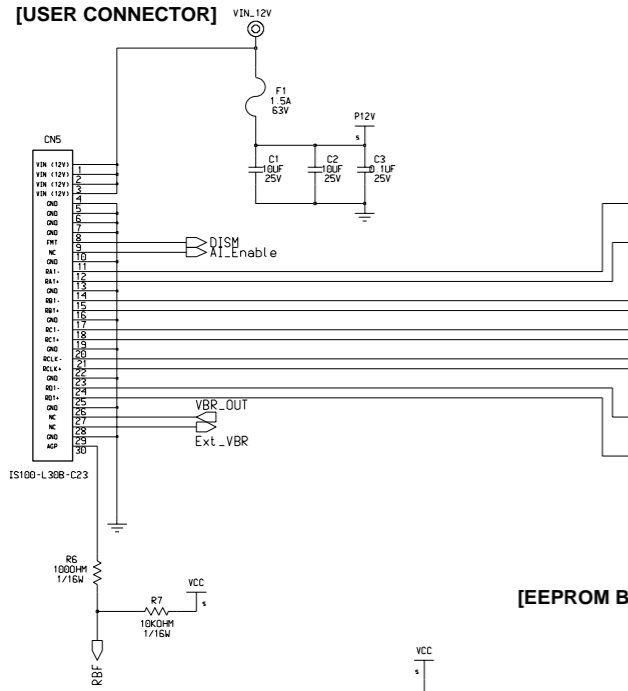
[T_CON BLOCK]



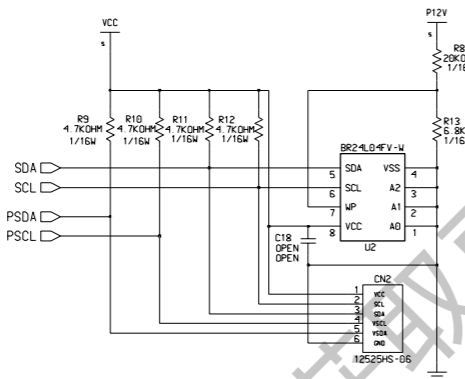
[SPREAD SPECTRUM]



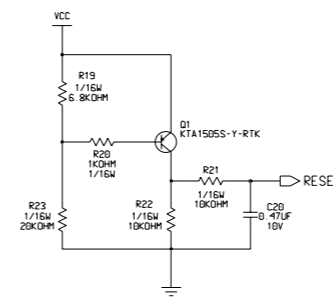
[USER CONNECTOR]



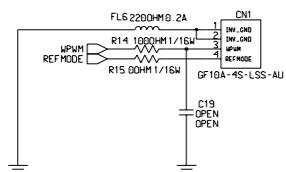
[EEPROM BLOCK]



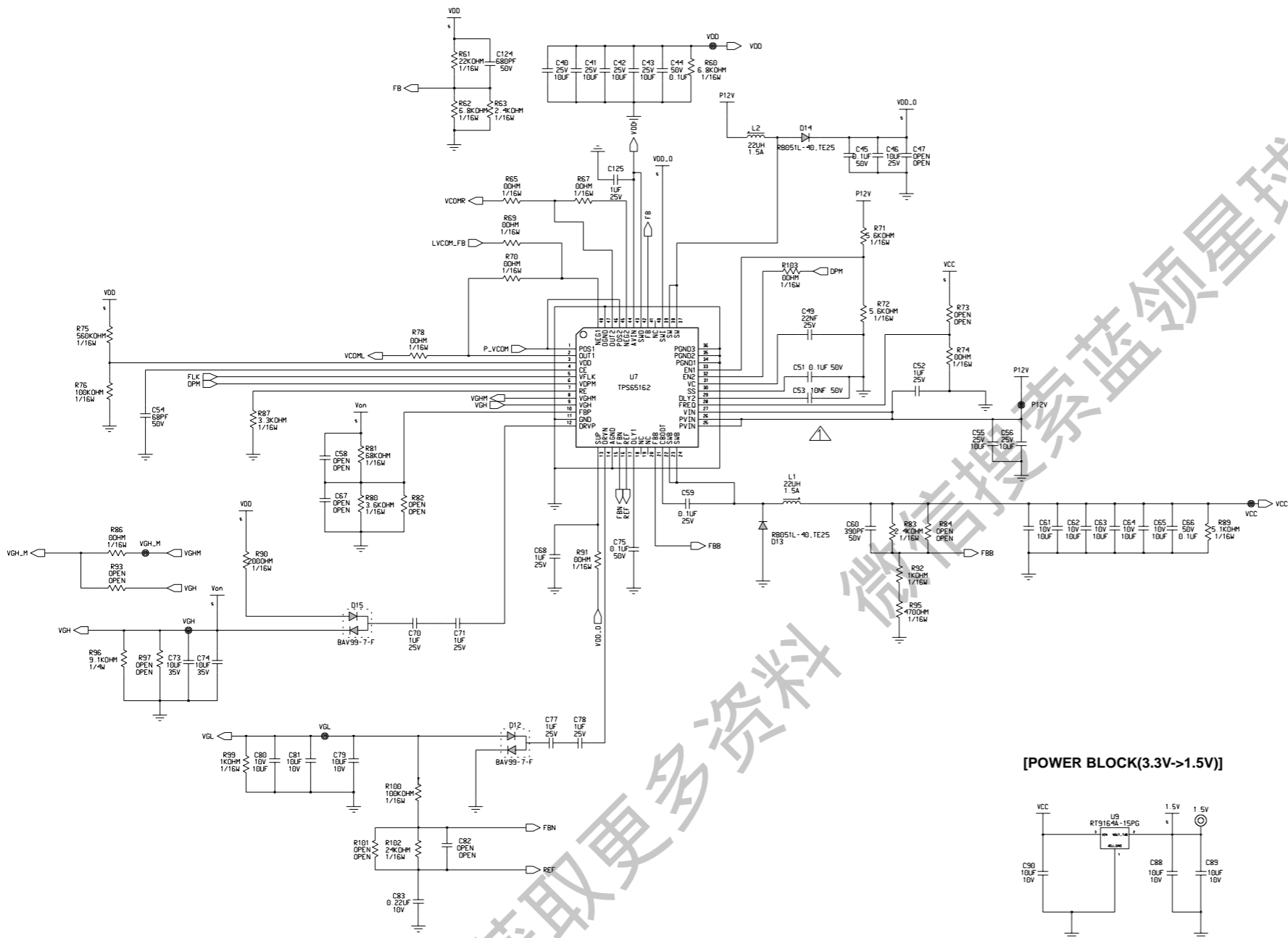
[T_CON RESET BLOCK]



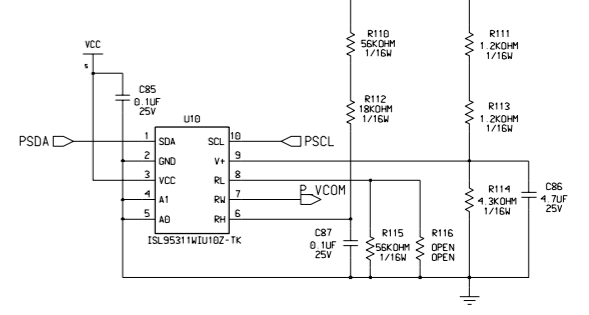
[INVERTER SYNC CONNECTOR]



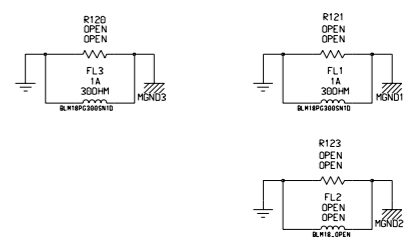
[POWER BLOCK]



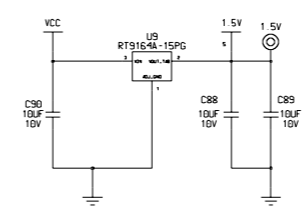
[P-VCOM BLOCK]



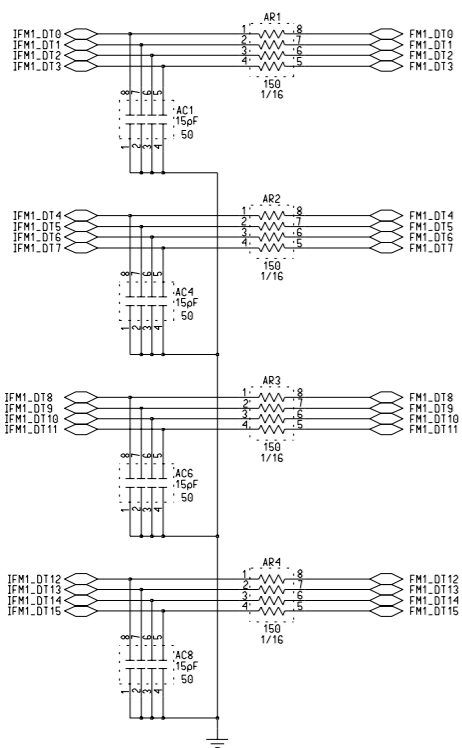
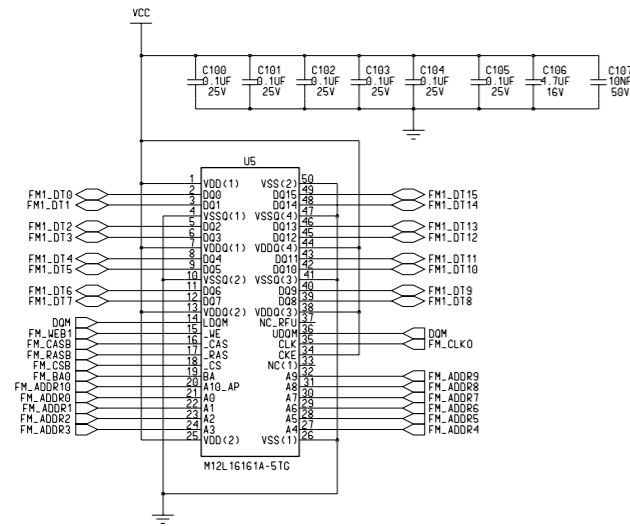
[MECH_CIRCUIT GND BLOCK]



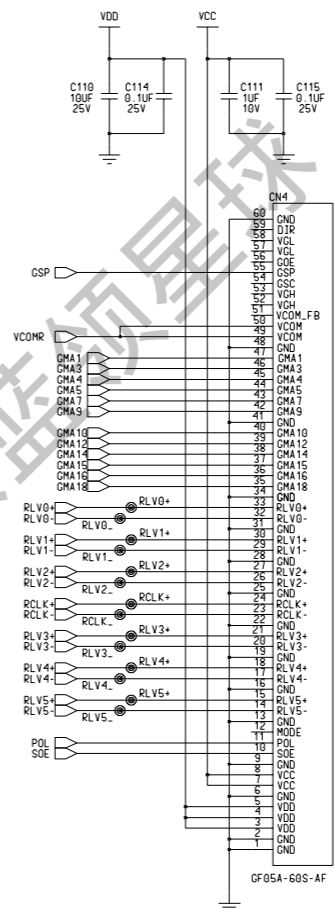
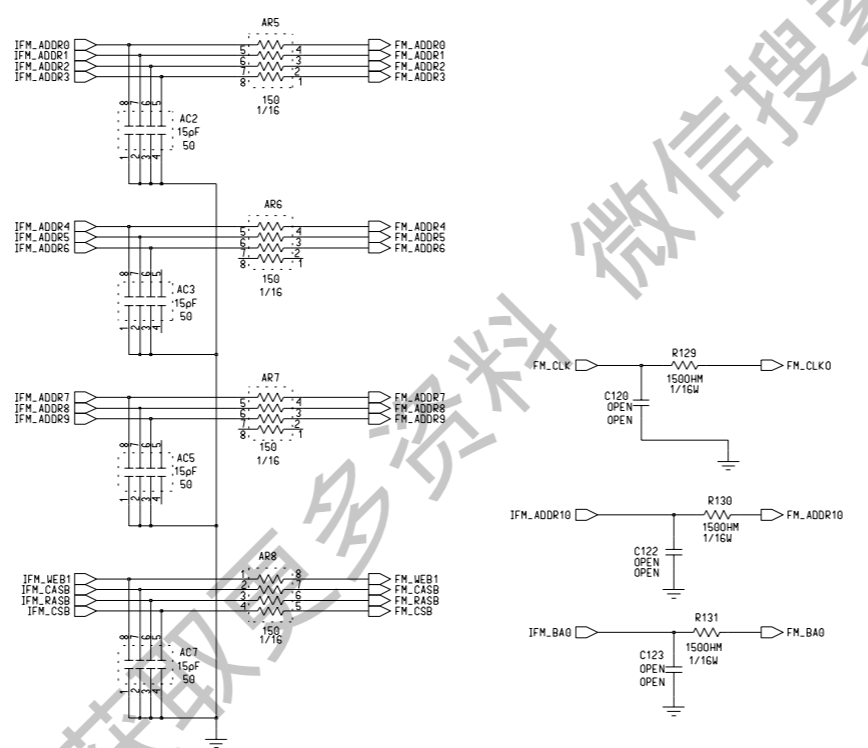
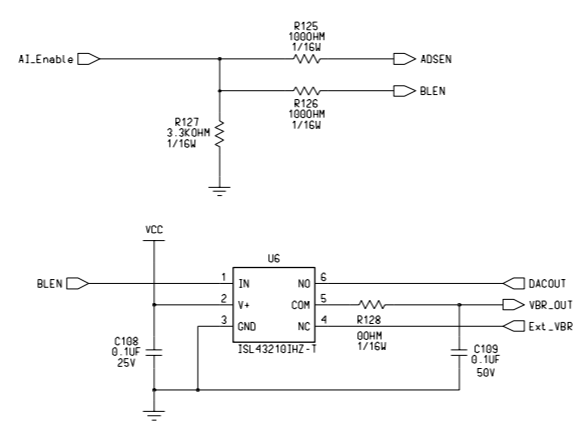
[POWER BLOCK(3.3V->1.5V)]



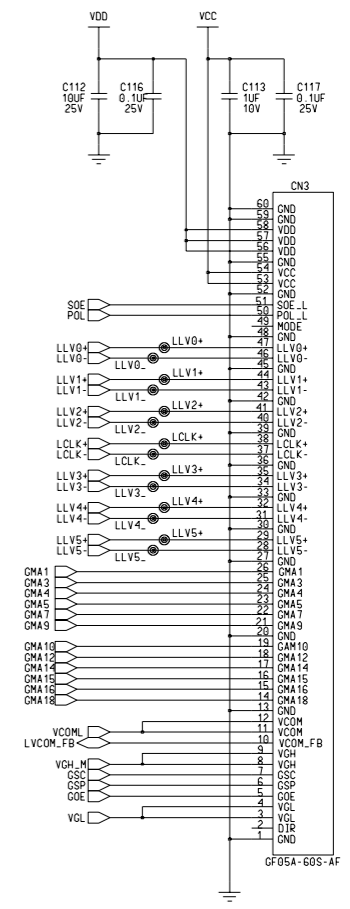
[SDRAM I/F BLOCK]



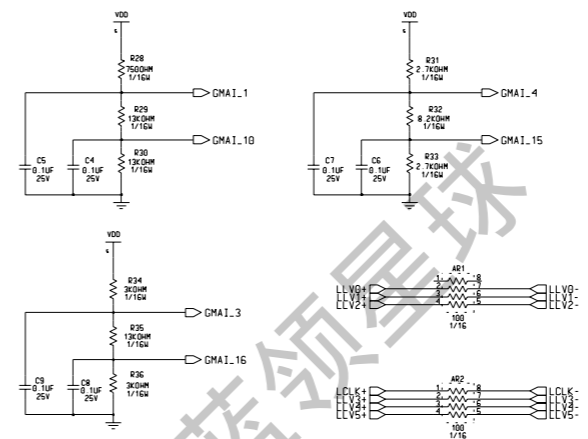
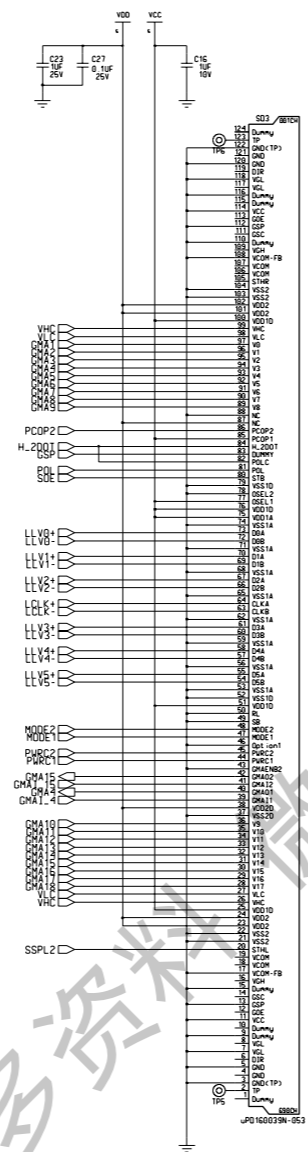
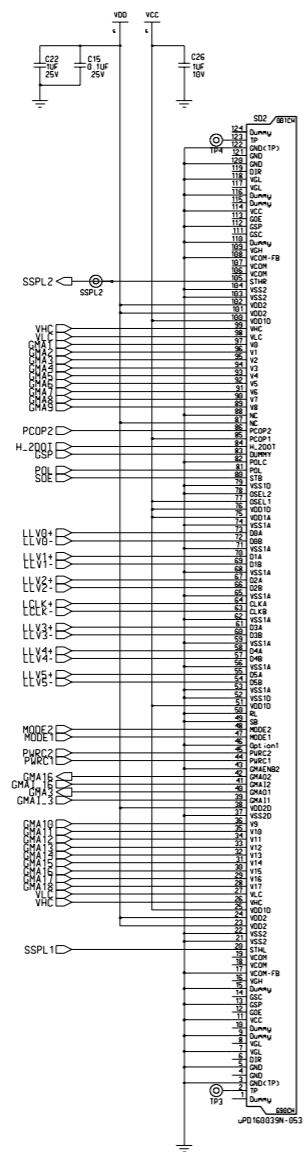
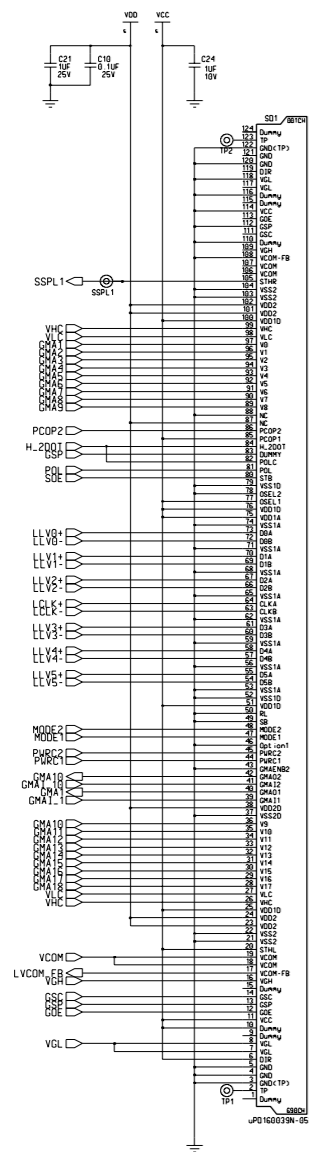
[AI I/F BLOCK]



[CONTROL-SOURCE RIGHT CONNECTOR]



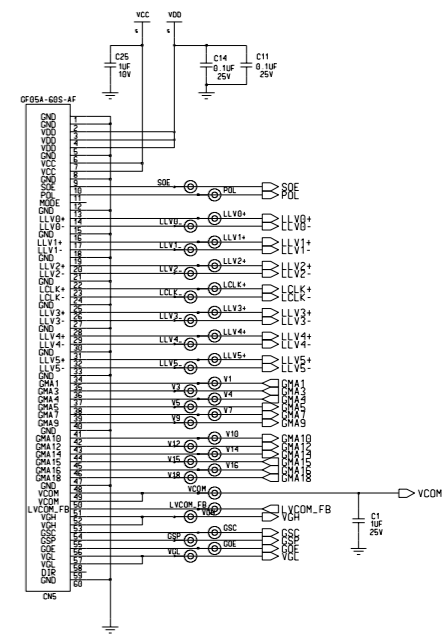
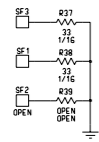
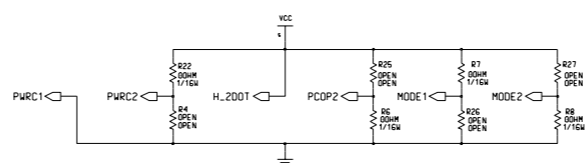
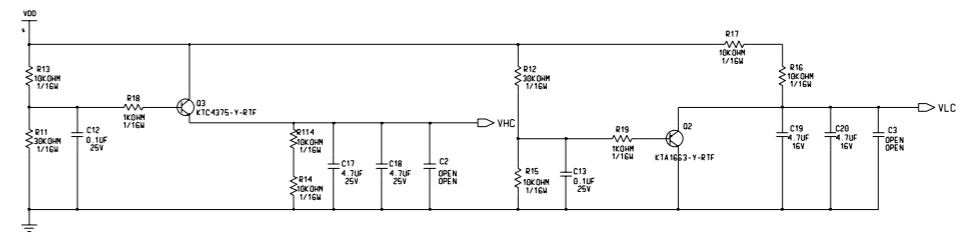
[CONTROL-SOURCE LEFT CONNECTOR]

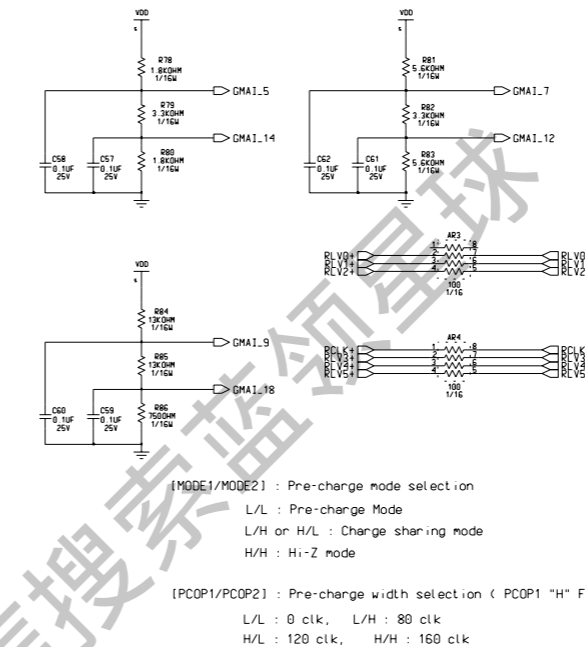
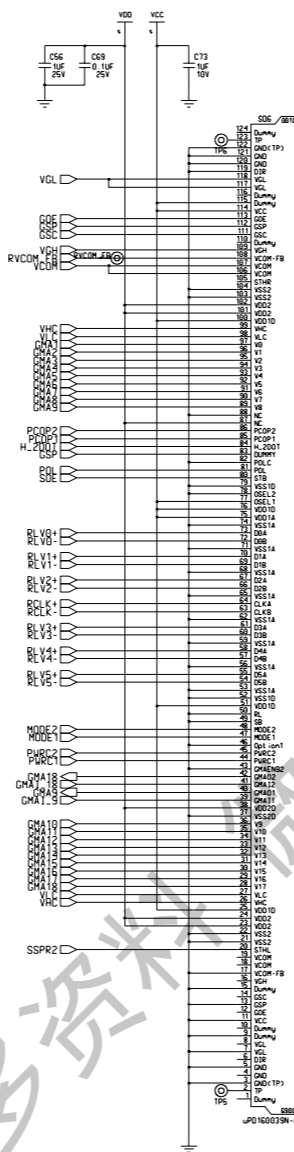
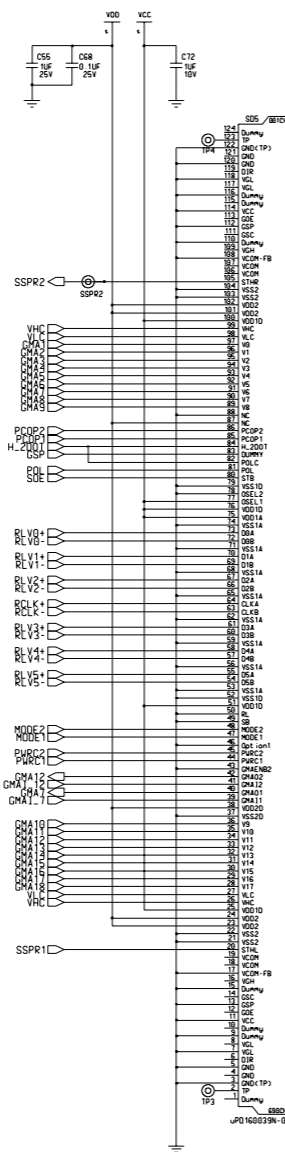
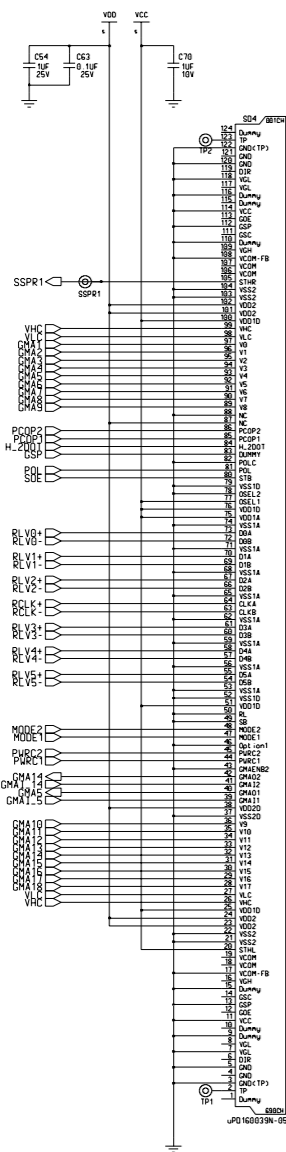


[MODE1/MODE2] : Pre-charge mode selection
 L/L : Pre-charge Mode
 L/H or H/L : Charge sharing mode
 H/H : Hi-Z mode

[PCOP1/PCOP2] : Pre-charge width selection (PCOP1 "H" Fixed)
 L/L : 0 clk, L/H : 80 clk
 H/L : 120 clk, H/H : 160 clk

[PWRC1/PWRC2] : Output power control (PWRC1 "L" Fixed)
 L/L : Minimum, L/H : Medium small
 H/L : Medium large, H/H : Maximum

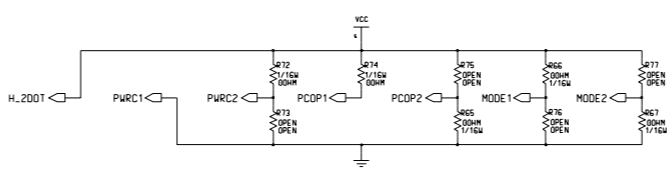
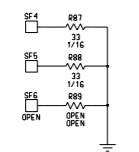
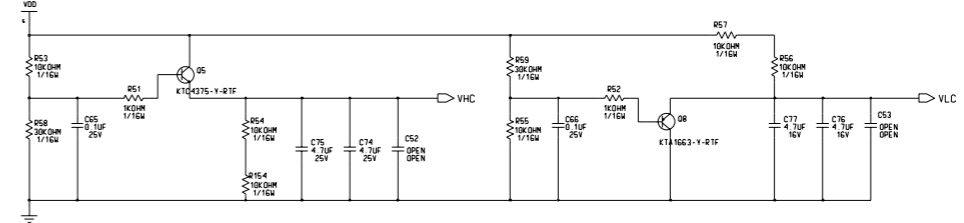
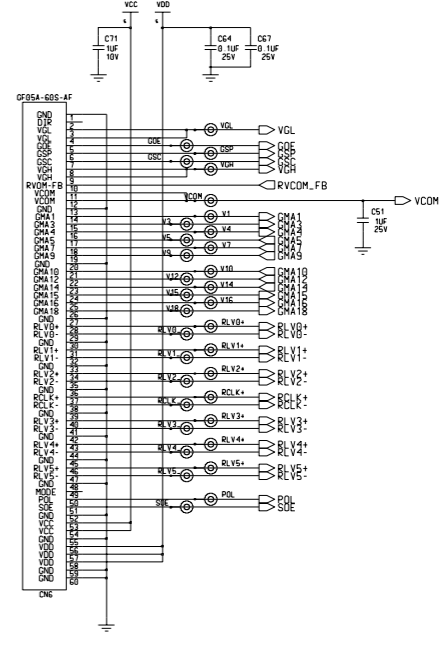




[MODE1/MODE2] : Pre-charge mode selection
 L/L : Pre-charge Mode
 L/H or H/L : Charge sharing mode
 H/H : Hi-Z mode

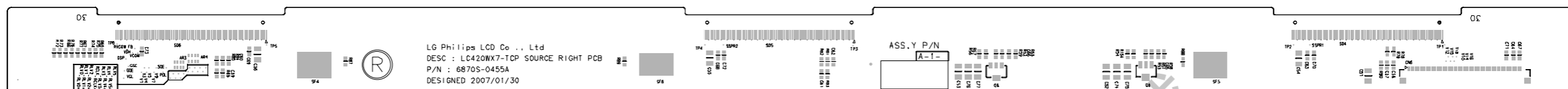
[PCOP1/PCOP2] : Pre-charge width selection (PCOP1 "H" Fixed)
 L/L : 0 clk, L/H : 80 clk
 H/L : 120 clk, H/H : 160 clk

[PWRC1/PWRC2] : Output power control (PWRC1 "L" Fixed)
 L/L : Minimum, L/H : Medium small
 H/L : Medium large, H/H : Maximum

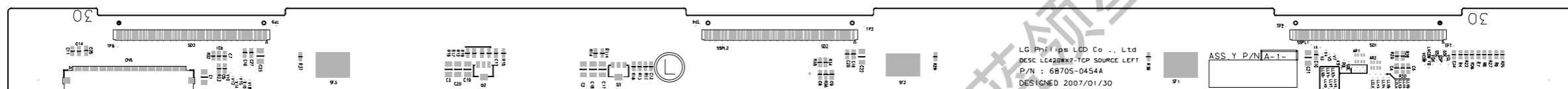


Printed Circuit Board / 회로기판

SOURCE(Right_Top)



SOURCE(Left_Top)



Control(Top)

