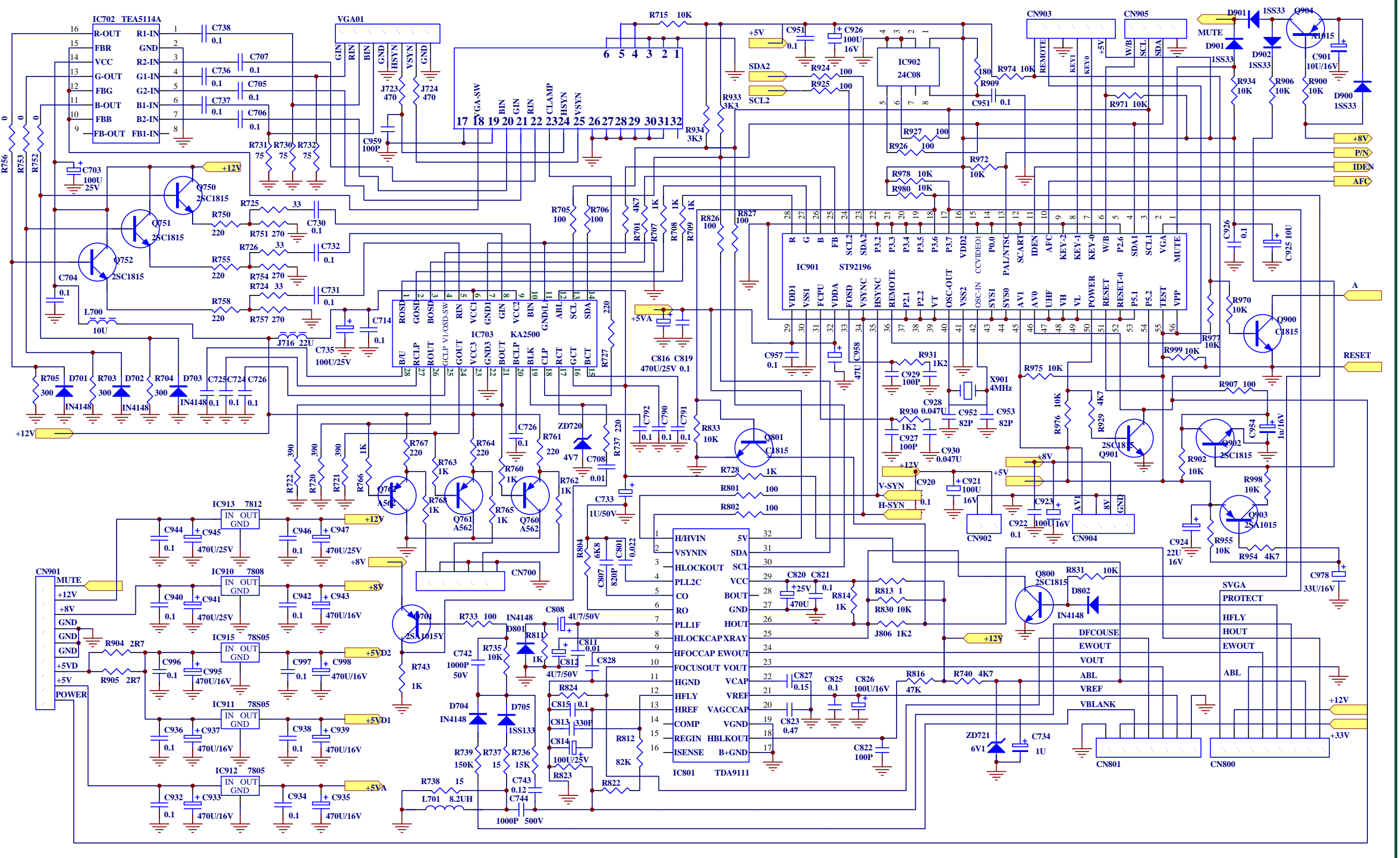
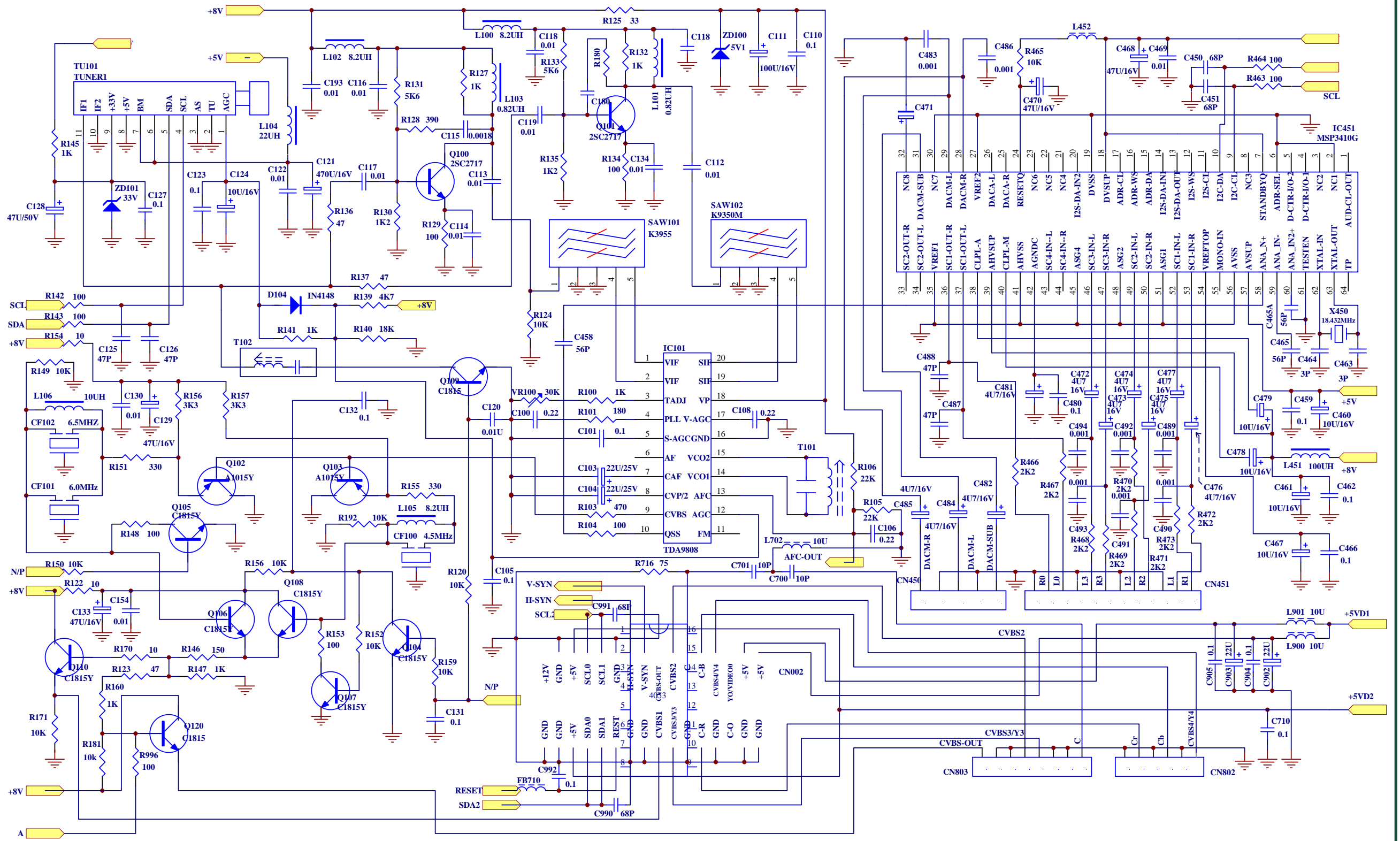
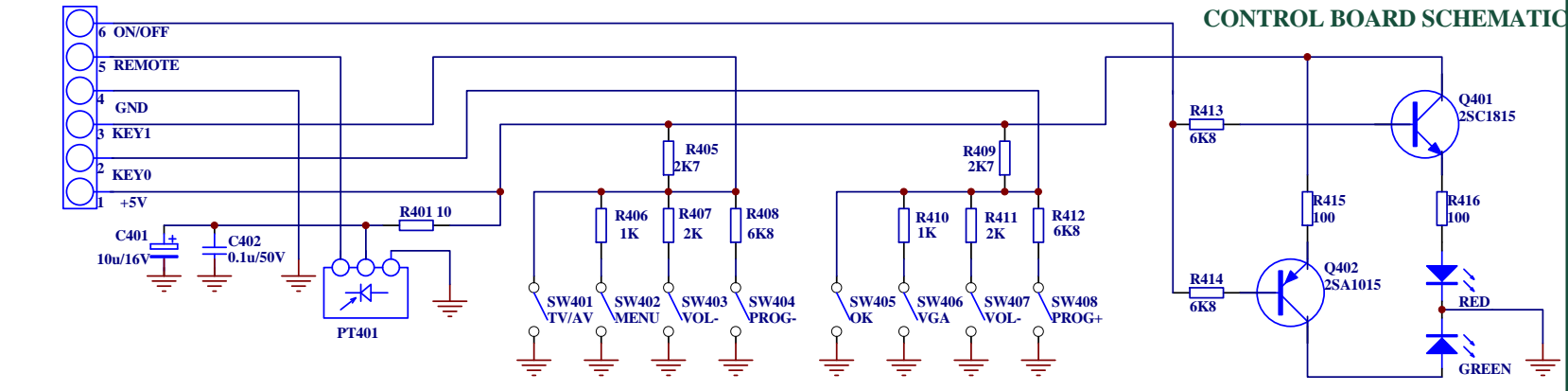


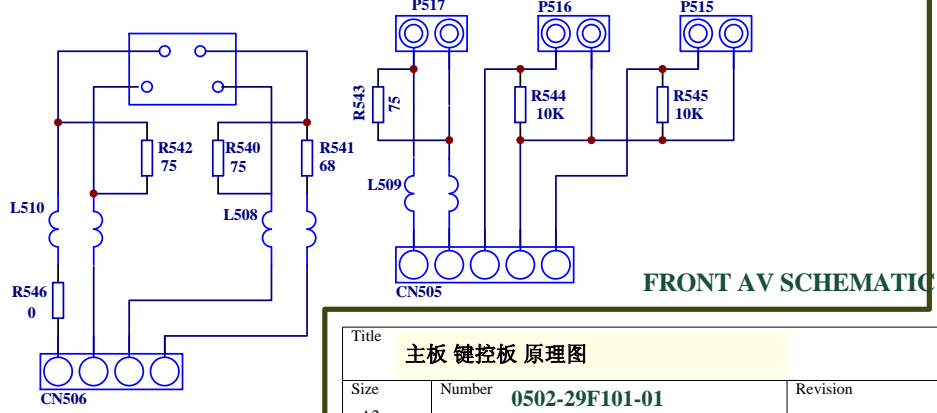
MAIN BOARD SCHEMATIC



CONTROL BOARD SCHEMATIC



FRONT AV SCHEMATIC



Title		
主板 键控板 原理图		
Size	Number	Revision
A2	0502-29F101-01	
Date:	8-Jun-2002	Sheet of
File: D:\Program Files\Design Explorer 99 SE\Projects\PCB Auto-Routing\NEWMAL11.DDB		