

机种名	类型	制冷量		输入功率	能效比
		W	BTU/H	W	COP
6TD075XAA41	变频	995	3395	365	2.726
4TS023KAA	定速	350/435	1194/1484	180/190	1.944/2.289
4TS023SAA	定速	350/435,400	1194/1484,1365	178/188,192	1.966/2.314
6TD046SCB	定速	480/580	1638/1979	215/235	2.233/2.468
6TD046DAB	定速	480/485	1638/1655	205/230	2.341/2.109
6TD046UAA41	定速	585	1996	260	2.25
6TD068SCB	定速	700/835	2388/2849	310/350	2.258/2.386
6TD068DBB41	定速	700/705	2388/2405	300/335	2.333/2.104
6TD068UAA41	定速	850	2900	380	2.237
6TD075SBB	定速	785/950	2678/3241	345/385	2.275/2.468
5SS072XAA	变频	1805	6159	675	2.674
5VD420ZAA21	变频	13200	45038	4220	3.128
5VS245EAA21	定速	6090/6135	20779/20933	2075/2125	2.935/2.887
5VS270EAA21	定速	6685/6740	22809/22997	2265/2360	2.951/2.856
5VS295EAA21	定速	7160/7220	24430/24635	2440/2545	2.934/2.837
5PS102EAA22	定速	2410/2440	8223/8325	835/850	2.886/2.871
5PS108EAA22	定速	2515/2535	8581/8649	880/900	2.858/2.817
5PS132EAA22	定速	3120/3150	10645/10748	1085/1115	2.876/2.825
4PS132EBB	定速	2225/2250	7592/7677	735/765	3.027/2.941
4PS146EAA	定速	2470/2495	8428/8513	810/835	3.049/2.988
5RS102XAB	变频	2630	8974	980	2.684
5RS132ZAA21	变频	3385	11550	1250	2.708
5RS080XBD01	变频	1985	6773	765	2.595
5RS092XDC	变频	2305	7865	870	2.649
5RS080EAB21	定速	1840/1870	6278/6380	665/680	2.767/2.75

获取更多资料

电容		净重	冷媒
电容值 (μF)	耐压值 (V)		
-	-	4.2	R134A
5 μF	370V	3.1	R407C
30 μF	200V	3.1	R407C
20 μF	200V	3.6	R134A
7.5 μF	400V	3.6	R134A
20 μF	210V	3.6	R134A
30 μF	200V	4	R134A
7.5 μF	400V	4	R134A
30 μF	210V	4	R134A
35 μF	200V	4.2	R134A
-	-	5.9	R410A
-	-	21.1	R410A
60 μF	400V	20	R410A
60 μF	400V	21	R410A
60 μF	400V	21	R410A
30 μF	370V	11.7	R410A
30 μF	370V	11.7	R410A
30 μF	370V	12	R410A
30 μF	370V	12	R407C
30 μF	370V	11.8	R407C
-	-	8.5	R410A
-	-		R410A
-	-	7.9	R410A
-	-	8.4	R410A
20 μF	370V	9.6	R410A

获取更多资料 微信搜索蓝领星球

机种名	类型	制冷量		输入功率	能效比	电
		W	BTU/H	W	COP	电容值
2P14C225DUA	定速	2185/2205	7455/7523	725/750	3.014/2.94	25μF
2P14S126B1G	定速	2685	9161	885	3.034	40μF
2P14S225BUB	定速	2220/2240	7574/7642	705/735	3.149/3.048	30μF
2P14S236A1J	定速	2695	9195	850	3.171	30μF
2P15C225FUA	定速	2475	8444	875	2.829	25μF
2P15C225FUA	定速	2475	8444	875	2.829	25μF
2P15S126B1P	定速	2965	10117	950	3.121	40μF
2P15S225BUB	定速	2450	8359	795	3.082	30μFμF
2P15S236A1E	定速	2970	10134	930	3.194	30μF
2P16C225ANE	定速	2605	8888	875	2.977	25μF
2P16S126B1K	定速	3145	10731	1000	3.145	45μF
2P16S225BUA	定速	2635	8990	840	3.137	30μFμF
2P17C225ANB	定速	2745	9366	915	3	25μF
2P17C225FUA	定速	2715	9264	910	2.984	30μFμF
2P17S126B1F	定速	3300	11260	1070	3.084	45μF
2P17S225BUA	定速	2770	9451	885	3.13	30μFμF
2P17S236A1C	定速	3325	11345	1040	3.197	30μF
2P18S126B1F	定速	3570	12181	1140	3.132	45μF
2P18S225BUA-GR	定速	2940	10031	960	3.062	30μF
2P18S236A1D	定速	3525	12027	1140	3.092	30μF
2P19S126B1H	定速	3720	12693	1195	3.113	45μF
2P19S236A1J	定速	3710	12659	1165	3.185	30μF
2P20C225CUA	定速	3245	11071	1080	3.005	30μF
2P20S126B1F	定速	3860	13170	1260	3.063	45μF
2P20S236A1G	定速	3905	13324	1235	3.162	30μF
2P21S225AUA	定速	3480	11873	1220	2.852	35μF
2P22C225AND	定速	3625	12368	1190	3.046	35μF

获取更多资料

容	净重	冷媒
耐压值		
370V	10.7	R22
250V	11.8	R22
370V	11.5	R22
300V	12.6	R22
370V	11.5	R22
370V	11.5	R22
250V	11.8	R22
370V	11.5	R22
330V	12.1	R22
370V	10.7	R22
250V	11.8	R22
370V	11.5	R22
370V	11.4	R22
370V	11.6	R22
250V	12.5	R22
370V	11.6	R22
330V	12.5	R22
260V	12.5	R22
370V	12.1	R22
330V	12.1	R22
260V	12.4	R22
370V	12.6	R22
370V	12.2	R22
260V	12.4	R22
370V	12.7	R22
400V	12.3	R22
400V	12.3	R22

获取更多资料 微信搜索蓝领星球

机种名	类型	制冷量		输入功	能效比	电容		净重
		W	BTU/H	W	COP	电容值 (μ F)	耐压值 (V)	
2K21S225BUA	定速	3595	12266	1140	3.154	35 μ F	400V	16.4
2K21S236AGE	定速	4220	14399	1390	3.036	35/40 μ F	370V	16
2K22C225HUB	定速	3810	13000	1250	3.048	35 μ F	400V	15.5
2K22S225EUA-	定速	3835	13085	1230	3.118	35 μ F	400V	15.6
2K23S225DUA-	定速	4000	13648	1295	3.089	35 μ F	400V	16.2
2K25S225CUA	定速	4245	14484	1380	3.076	40 μ F	400V	16.7
2K25S236AHE	定速	5235	17862	1700	3.079	35/40 μ F	370V	16.1
2K28C225DUB	定速	4660/46	15900/1	1550/16	3.006/2.	45 μ F	370V	17.5
2K28C226AUC	定速	6055	20660	2000	3.028	50 μ F	370V	17.3
2K30C225AHD	定速	5020	17128	1665	3.015	50 μ F	370V	18.2
2K31S225AUA	定速	5205/52	17759/1	1680/17	3.098/2.	50 μ F	400V	18.7
2K32C225CUD	定速	5200	17742	1730	3.006	50 μ F	370V	17.5
2K32S225AUD	定速	5310/53	18118/1	1725/18	3.078/2.	50 μ F	400V	18
2K34C225EUA	定速	5795	19773	1920	3.018	50 μ F	400V	18.3

获取更多资料 微信搜索 蓝盾

冷媒
R22
R22
R22
R22
R22
R22
R22
R22
R22
R22
R22
R22
R22
R22

获取更多资料 微信搜索蓝领星球

机种名	类型	制冷量		输入功	能效比	电容		净重
		W	BTU/H	W	COP	电容值 (μ F)	耐压值 (V)	
2R7S3R126	定速	1270	4333	468	2.714	35 μ F	230V	8.4
2R8S126A6	定速	1640	5596	520	3.154	35 μ F	230V	8.5
2R9S126A6	定速	1880	6415	595	3.16	35 μ F	250V	8.8
2R10B225A	定速	1595/16	5442/54	540/590	2.954/2.	15 μ F	370V	8.2
2R10S126A	定速	1955	6670	620	3.153	35 μ F	250V	8.8
2R10S236A	定速	1915	6534	610	3.139	15 μ F	370V	8.7
2R11B3R22	定速	1745	5953	585	2.983	12.5 μ F	460V	8.2
2R11S236A	定速	2100	7165	665	3.158	15 μ F	370V	8.7
2R11S3R12	定速	2099	7162	665	3.156	35 μ F	230V	8.7
2R12B225C	定速	1895	6466	660	2.871	20 μ F	400V	8.4
2R12B225C	定速	1895	6466	660	2.871	20 μ F	400V	8.4
2R12S126A	定速	2330	7950	740	3.149	35 μ F	250V	8.9
2R12S126A	定速	2330	7950	740	3.149	35 μ F	250V	8.9
2R12S3R23	定速	2325	7933	737	3.155	15 μ F	370V	8.8
2R12S3R23	定速	2325	7933	737	3.155	15 μ F	370V	8.8
2R13C225B	定速	2020/20	6892/69	690/745	2.928/2.	15 μ F	400V	8.8
2R13C225B	定速	2020/20	6892/69	690/745	2.928/2.	15 μ F	400V	8.8
2R13S126A	定速	2470	8428	790	3.127	40 μ F	230V	8.9
2R13S126A	定速	2470	8428	790	3.127	40 μ F	230V	8.9
2R13S236A	定速	2505	8547	795	3.151	15 μ F	370V	9
2R13S236A	定速	2505	8547	795	3.151	15 μ F	370V	9

获取更多资料 微信: 4000000000

冷媒
R22
R22
R22
R22
R22
R22
R22
R22
R22
R22
R22
R22
R22
R22
R22
R22
R22
R22
R22
R22
R22

获取更多资料 微信搜索 蓝领星球

机种名	类型	制冷量		输入功	能效比	电容		净重
		W	BTU/H	W	COP	电容值	耐压值	
2V32S225BUB	定速	5410/55	18458/1	1695/17	3.192/3.	60μF	370V	19.6
2V34S225BUA	定速	5810/58	19824/1	1815/18	3.201/3.	60μF	400V	20
2V34S236AUA	定速	7270	24805	2315	3.14	50μF	370V	19.4
2V36S225BUA	定速	6140	20950	1980	3.101	50μF	400V	19.6
2V36S225CUA	定速	6375/64	21752/2	2020/21	3.156/3.	50μF	400V	20.1
2V36S236AUA	定速	7615	25982	2455	3.102	50μF	370V	19.5

获取更多资料 微信搜索蓝领星球

冷媒
R22
R22
R22
R22
R22
R22

获取更多资料 微信搜索蓝领星球

型号	用途	冷媒	排气量	电源	制冷能力	
					W	BTU/h
ATH270CV-C9LU	T1工况	R-410A	27.0ml/rev	220-240V/50Hz/1PH	6400	21824
ATH280CV-C9LU	T1工况	R-410A	28.8ml/rev	220-240V/50Hz/1PH	6860	23392
ATH290CV-C9LU	T1工况	R-410A	29.0ml/rev	220-240V/50Hz/1PH	7125	24296
ATH325CV-C9LU	T1工况	R-410A	32.5ml/rev	220-240V/50Hz/1PH	7780	26529
CTHK33XC6-U	T1工况	R-407C	45.4ml/rev	220-240V/50Hz/1PH	7690	26222
CTHU33WC6-U	T1工况	R-407C	48.8ml/rev	220-240V/50Hz/1PH	8200	27962
THK33PC6-U	T1工况	R-22	47.2ml/rev	220-240V/50Hz/1PH	8050	27450
THK33PC6-UA	T1工况	R-22	46.5ml/rev	220-240V/50Hz/1PH	8050	27450
THK33XC6-E	T3工况	R-22	45.4ml/rev	220-240V/50Hz/1PH	7730	26359
THK33XC6-S	T1工况	R-22	45.5ml/rev	220-240V/50Hz/1PH	7600	25916
THK33XC6-U	T1工况	R-22	45.4ml/rev	220-240V/50Hz/1PH	7750	26427
THK40PC6-U	T1工况	R-22	47.2ml/rev	380V/50Hz/3PH	7850	26768
THK40XC6-U	T1工况	R-22	45.4ml/rev	380V/50Hz/3PH	7600	25916
THK73XC6-U	null	null	null	null	7600	25916
THU33WC6-E	T3工况	R-22	48.8ml/rev	220-240V/50Hz/1PH	8240	28098
THU33WC6-U	T1工况	R-22	48.8ml/rev	220-240V/50Hz/1PH	8350	28473
THU40WC6-U	T1工况	R-22	48.8ml/rev	380V/50Hz/3PH	8200	27962

型号	用途	冷媒	排气量	电源	制冷能力	
					W	BTU/h
TE800CC3Q9JK	null	R-22	80.0ml/rev	380V/50Hz/3PH	0	0
TE848CC3Q9JK	null	R-22	84.8ml/rev	380V/50Hz/3PH	0	0

型号	用途	冷媒	排气量	电源	制冷能力	
					W	BTU/h
ASL135SV-C7LU	T1工况	R-410A	13.5ml/rev	220-240V/50Hz/1PH	3250	11082
ASL140SV-C7LU	T1工况	R-410A	14.0ml/rev	220-240V/50Hz/1PH	3370	11491
ASL145SN-C7LU	T1工况	R-410A	14.5ml/rev	208-230V/60Hz/1PH	3370	11491
ASL145SV-C7LU	T1工况	R-410A	14.5ml/rev	220-240V/50Hz/1PH	3500	11935
ASL180SN-C7LU	T1工况	R-410A	18ml/rev	208-230V/60Hz/1PH	3500	11935
ASL180SV-C7LU	T1工况	R-410A	18.0ml/rev	220-240V/50Hz/1PH	4350	14833
CSL193CV-C7LU	T1工况	R-407C	19.3ml/rev	220-240V/50Hz/1PH	3270	11150
CSL211CV-C7LU	T1工况	R-407C	21.1ml/rev	220-240V/50Hz/1PH	3550	12105
CSL232CV-C7LU	T1工况	R-407C	23.2ml/rev	220-240V/50Hz/1PH	3875	13213
SL193CN-C7LU	T1工况	R-22	19.3ml/rev	208-230V/60Hz/1PH	3975	13554
SL193SN-C7LU	T1工况	R-22	19.3ml/rev	208-230V/60Hz/1PH	3975	13554
SL193SV-C7LU	T1工况	R-22	19.3ml/rev	220-240V/50Hz/1PH	3250	11082
SL211CN-C7LU	T1工况	R-22	21.1ml/rev	208-230V/60Hz/1PH	4350	14833
SL211CV-C7LU	T1工况	R-22	21.1ml/rev	220-240V/50Hz/1PH	3535	12054
SL211SN-C7LU	T1工况	R-22	21.1ml/rev	208-230V/60Hz/1PH	4350	14833
SL211SV-C7LU	T1工况	R-22	21.1ml/rev	220-240V/50Hz/1PH	3540	12071
SL222CV-C7LU	T1工况	R-22	22.2ml/rev	200-240V/50Hz/1PH	3740	12753

SL222SV-C7LU	T1工况	R-22	22. 2ml/rev	220-240V/50Hz/1PH	3740	12753
SL232CV-C5LU	T1工况	R-22	23. 2ml/rev	220-240V/50Hz/1PH	3900	13299
SL232CV-C7LU	T1工况	R-22	23. 2ml/rev	220-240V/50Hz/1PH	3900	13299
SL232SV-C7LU	T1工况	R-22	23. 2ml/rev	220-240V/50Hz/1PH	3900	13299
SL242CV-C7LU	T1工况	R-22	24. 2ml/rev	220-240V/50Hz/1PH	4100	13981
SL242SV-C7LU	T1工况	R-22	24. 2ml/rev	220-240V/50Hz/1PH	4150	14151
SL253CN-C7LU	T1工况	R-22	25. 3cc/rev	208-230V/60Hz/1PH	5200	17732
SL253CV-C7LU	T1工况	R-22	25. 3cc/rev	220-240V/50Hz/1PH	4210	14356
SL253SN-C7EU	T1工况	R-22	25. 3cc/rev	208-230V/60Hz/1PH	5200	17732
SL253SV-C7LU	T1工况	R-22	25. 3cc/rev	220-240V/50Hz/1PH	4270	14560

型号	用途	冷媒	排气量	电源	制冷能力	
					W	BTU/h
ASL135SV-C7LU	T1工况	R-410A	13. 5ml/rev	220-240V/50Hz/1PH	3250	11082
ASL140SV-C7LU	T1工况	R-410A	14. 0ml/rev	220-240V/50Hz/1PH	3370	11491
ASL145SN-C7LU	T1工况	R-410A	14. 5ml/rev	208-230V/60Hz/1PH	3370	11491
ASL145SV-C7LU	T1工况	R-410A	14. 5ml/rev	220-240V/50Hz/1PH	3500	11935
ASL180SN-C7LU	T1工况	R-410A	18ml/rev	208-230V/60Hz/1PH	3500	11935
ASL180SV-C7LU	T1工况	R-410A	18. 0ml/rev	220-240V/50Hz/1PH	4350	14833
CSL193CV-C7LU	T1工况	R-407C	19. 3ml/rev	220-240V/50Hz/1PH	3270	11150
CSL211CV-C7LU	T1工况	R-407C	21. 1ml/rev	220-240V/50Hz/1PH	3550	12105
CSL232CV-C7LU	T1工况	R-407C	23. 2ml/rev	220-240V/50Hz/1PH	3875	13213
SL193CN-C7LU	T1工况	R-22	19. 3ml/rev	208-230V/60Hz/1PH	3975	13554
SL193SN-C7LU	T1工况	R-22	19. 3ml/rev	208-230V/60Hz/1PH	3975	13554
SL193SV-C7LU	T1工况	R-22	19. 3ml/rev	220-240V/50Hz/1PH	3250	11082
SL211CN-C7LU	T1工况	R-22	21. 1ml/rev	208-230V/60Hz/1PH	4350	14833
SL211CV-C7LU	T1工况	R-22	21. 1ml/rev	220-240V/50Hz/1PH	3535	12054
SL211SN-C7LU	T1工况	R-22	21. 1ml/rev	208-230V/60Hz/1PH	4350	14833
SL211SV-C7LU	T1工况	R-22	21. 1ml/rev	220-240V/50Hz/1PH	3540	12071
SL222CV-C7LU	T1工况	R-22	22. 2ml/rev	200-240V/50Hz/1PH	3740	12753
SL222SV-C7LU	T1工况	R-22	22. 2ml/rev	220-240V/50Hz/1PH	3740	12753
SL232CV-C5LU	T1工况	R-22	23. 2ml/rev	220-240V/50Hz/1PH	3900	13299
SL232CV-C7LU	T1工况	R-22	23. 2ml/rev	220-240V/50Hz/1PH	3900	13299
SL232SV-C7LU	T1工况	R-22	23. 2ml/rev	220-240V/50Hz/1PH	3900	13299
SL242CV-C7LU	T1工况	R-22	24. 2ml/rev	220-240V/50Hz/1PH	4100	13981
SL242SV-C7LU	T1工况	R-22	24. 2ml/rev	220-240V/50Hz/1PH	4150	14151
SL253CN-C7LU	T1工况	R-22	25. 3cc/rev	208-230V/60Hz/1PH	5200	17732
SL253CV-C7LU	T1工况	R-22	25. 3cc/rev	220-240V/50Hz/1PH	4210	14356
SL253SN-C7EU	T1工况	R-22	25. 3cc/rev	208-230V/60Hz/1PH	5200	17732
SL253SV-C7LU	T1工况	R-22	25. 3cc/rev	220-240V/50Hz/1PH	4270	14560

型号	用途	冷媒	排气量	电源	制冷能力	
					W	BTU/h
ASL135SV-C7LU	T1工况	R-410A	13. 5ml/rev	220-240V/50Hz/1PH	3250	11082

ASL140SV-C7LU	T1工况	R-410A	14.0ml/rev	220-240V/50Hz/1PH	3370	11491
ASL145SN-C7LU	T1工况	R-410A	14.5ml/rev	208-230V/60Hz/1PH	3370	11491
ASL145SV-C7LU	T1工况	R-410A	14.5ml/rev	220-240V/50Hz/1PH	3500	11935
ASL180SN-C7LU	T1工况	R-410A	18ml/rev	208-230V/60Hz/1PH	3500	11935
ASL180SV-C7LU	T1工况	R-410A	18.0ml/rev	220-240V/50Hz/1PH	4350	14833
CSL193CV-C7LU	T1工况	R-407C	19.3ml/rev	220-240V/50Hz/1PH	3270	11150
CSL211CV-C7LU	T1工况	R-407C	21.1ml/rev	220-240V/50Hz/1PH	3550	12105
CSL232CV-C7LU	T1工况	R-407C	23.2ml/rev	220-240V/50Hz/1PH	3875	13213
SL193CN-C7LU	T1工况	R-22	19.3ml/rev	208-230V/60Hz/1PH	3975	13554
SL193SN-C7LU	T1工况	R-22	19.3ml/rev	208-230V/60Hz/1PH	3975	13554
SL193SV-C7LU	T1工况	R-22	19.3ml/rev	220-240V/50Hz/1PH	3250	11082
SL211CN-C7LU	T1工况	R-22	21.1ml/rev	208-230V/60Hz/1PH	4350	14833
SL211CV-C7LU	T1工况	R-22	21.1ml/rev	220-240V/50Hz/1PH	3535	12054
SL211SN-C7LU	T1工况	R-22	21.1ml/rev	208-230V/60Hz/1PH	4350	14833
SL211SV-C7LU	T1工况	R-22	21.1ml/rev	220-240V/50Hz/1PH	3540	12071
SL222CV-C7LU	T1工况	R-22	22.2ml/rev	200-240V/50Hz/1PH	3740	12753
SL222SV-C7LU	T1工况	R-22	22.2ml/rev	220-240V/50Hz/1PH	3740	12753
SL232CV-C5LU	T1工况	R-22	23.2ml/rev	220-240V/50Hz/1PH	3900	13299
SL232CV-C7LU	T1工况	R-22	23.2ml/rev	220-240V/50Hz/1PH	3900	13299
SL232SV-C7LU	T1工况	R-22	23.2ml/rev	220-240V/50Hz/1PH	3900	13299
SL242CV-C7LU	T1工况	R-22	24.2ml/rev	220-240V/50Hz/1PH	4100	13981
SL242SV-C7LU	T1工况	R-22	24.2ml/rev	220-240V/50Hz/1PH	4150	14151
SL253CN-C7LU	T1工况	R-22	25.3cc/rev	208-230V/60Hz/1PH	5200	17732
SL253CV-C7LU	T1工况	R-22	25.3cc/rev	220-240V/50Hz/1PH	4210	14356
SL253SN-C7EU	T1工况	R-22	25.3cc/rev	208-230V/60Hz/1PH	5200	17732
SL253SV-C7LU	T1工况	R-22	25.3cc/rev	220-240V/50Hz/1PH	4270	14560

型号	用途	冷媒	排气量	电源	制冷能力	
					W	BTU/h
ASH195SN-C8CU	T1工况	R-410A	19.5ml/rev	208-230V/60Hz/1PH	5640	19232
ASH201SN-C8LU	T1工况	R-410A	20.1ml/rev	208-230V/60Hz/1PH	5860	19982
ASH201SV-C8LU	T1工况	R-410A	20.1ml/rev	220-240V/50Hz/1PH	4820	16436
ASH210SV-C8LU	T1工况	R-410A	20.1ml/rev	220-240V/50Hz/1PH	4995	17032
ASH218SV-C8LU	T1工况	R-410A	21.8ml/rev	220-240V/50Hz/1PH	5180	17663
ASH232SV-C8LU	T1工况	R-410A	23.29ml/rev	220-240V/50Hz/1PH	5510	18789
ASH244SV-C8LU	T1工况	R-410A	24.4ml/rev	220-240V/50Hz/1PH	5800	19778
ASH264SN-C8LU	T1工况	R-410A	26.44CC	208-230V/60Hz/1PH	5800	19778
ASH264SV-C8LU	T1工况	R-410A	26.44ml/rev	220-240V/50Hz/1PH	6310	21517
ASH275CV-C8LU	T1工况	R-410A	27.5ml/rev	220-240V/50Hz/1PH	6500	22165
SH286DG-C7HU	T3工况	R-22	28.6ml/rev	220V/60Hz/1PH	5895	20101
SH307MV-C7HU	T3工况	R-22	30.7ml/rev	220-240V/50Hz/1PH	5200	17732
SH336MV-C8LU	T3工况	R-22	33.6ml/rev	220-240V/50Hz/1PH	5655	19283
SH356MV-C8LU	T3工况	R-22	35.6ml/rev	220-240V/50Hz/1PH	6010	20494
SH933RC2-E	T3工况	R-22	25.3ml/rev	220-240V/50Hz/1PH	4220	14390

SHV33YC1-E	T3工况	R-22	41.7ml/rev	220-240V/50Hz/1PH	6950	23699
SHV33YC6-G	T1工况	R-22	41.7ml/rev	220V/50Hz/1PH	7100	24211
SHV33YC6-S	T1工况	R-22	41.7ml/rev	220V/50Hz/1PH	7020	23938
SHV33YC6-U	T1工况	R-22	41.7ml/rev	220-240V/50Hz/1PH	7100	24211
SHV33ZC1-S	T1工况	R-22	40.0ml/rev	220V/50Hz/1PH	6770	23085
SHV33ZC1-U	T1工况	R-22	40.0ml/rev	220V/50Hz/1PH	6740	22983
SHV73YC1-E	T3工况	R-22	41.7ml/rev	208-230V/60Hz/1PH	8520	29053
SHV73YC1-U	T1工况	R-22	41.7ml/rev	208-230V/60Hz/1PH	8520	29053
SHW33TC4-E	T3工况	R-22	35.6ml/rev	220-240V/50Hz/1PH	6090	20766
SHW33TC4-S	T1工况	R-22	35.6ml/rev	220V/50Hz/1PH	6058	20657
SHW73TC2-U	T1工况	R-22	35.6ml/rev	208-230V/60Hz/1PH	7440	25370
SHW73TC2UU	T1工况	R-22	35.6ml/rev	208-230V/60Hz/1PH	7305	24910
SHW73TC4-E	T3工况	R-22	35.6ml/rev	208-230V/60Hz/1PH	7330	24995
SHW73TC4-U	T1工况	R-22	35.6ml/rev	208-230V/60Hz/1PH	7440	25370
SHW73TC9GU	T1工况	R-22	35.6ml/rev	208-230V/60Hz/1PH	7440	25370
SHW83TC4-P1	T3工况	R-22	35.6ml/rev	220V/60Hz/1PH	7330	24995
SHX33SC2-S	T1工况	R-22	33.6ml/rev	220-240V/50Hz/1PH	5710	19471
SHX33SC2US	T1工况	R-22	33.6ml/rev	220-240V/50Hz/1PH	5710	19471
SHX33SC2UU	T1工况	R-22	33.6ml/rev	220-240V/50Hz/1PH	5630	19198
SHY33MC2-E	T3工况	R-22	30.7ml/rev	220-240V/50Hz/1PH	5200	17732
SHY33MC2-S	T1工况	R-22	30.7ml/rev	220-240V/50Hz/1PH	5200	17732
SHY33MC2-U	T1工况	R-22	30.7ml/rev	220-240V/50Hz/1PH	5165	17612
SHY33MC2US	null	R-22	30.7cc/rev	220-240V/50Hz/1PH	5165	17612
SHY33MC2UU	T1工况	R-22	30.7ml/rev	220-240V/50Hz/1PH	5165	17612
SHY73MC4-U	T1工况	R-22	30.7ml/rev	208-230V/60Hz/1PH	6615	22557
SHZ33LC2-S	T1工况	R-22	28.6ml/rev	220-240V/50Hz/1PH	4820	16436
SHZ33LC2-U	T1工况	R-22	28.6ml/rev	220-240V/50Hz/1PH	4820	16436
SHZ33QC2-G	T1工况	R-22	27.5ml/rev	220V/50Hz/1PH	4620	15754
SHZ73LC2-U	T1工况	R-22	28.6ml/rev	208-230V/60Hz/1PH	5935	20238
SHZ83LC2-E	T3工况	R-22	28.6ml/rev	220V/60Hz/1PH	6030	20562
CH933RC2-U	T1工况	R-407C	25.4ml/rev	220-240V/50Hz/1PH	4300	14663
CHV33YC6-U	T1工况	R-407C	41.7ml/rev	220-240V/50Hz/1PH	7150	24381
CHW33TC4-U	T1工况	R-407C	33.7ml/rev	220-240V/50Hz/1PH	6010	20494
CHX33SC4-U	T1工况	R-407C	33.6ml/rev	220-240V/50Hz/1PH	5660	19300
CHY33MC4-U	T1工况	R-407C	30.8ml/rev	220-240V/50Hz/1PH	5250	17902
CHZ33LC4-U	T1工况	R-407C	28.6ml/rev	220-240V/50Hz/1PH	4870	16606

型号	用途	冷媒	排气量	电源	制冷能力	
					W	BTU/h
ASG080CV-B6DT	T1工况	R-410A	8.0ml/rev	220-240V/50Hz/1PH	1840	6274
ASG080SN-B6DT	T1工况	R-410A	8.0ml/rev	208-230V/60Hz/1PH	2270	7740
ASG088CV-B6DT	T1工况	R-410A	8.8ml/rev	220-240V/50Hz/1PH	2060	7024
ASG096CV-B6DT	T1工况	R-410A	9.6ml/rev	220-240V/50Hz/1PH	2200	7502
ASG108CV-B6DT	T1工况	R-410A	10.8ml/rev	220-240V/50Hz/1PH	2550	8695

ASG116CV-B6DT	T1工况	R-410A	11.6ml/rev	220-240V/50Hz/1PH	2730	9309
ASG125CV-B6DT	T1工况	R-410A	12.5ml/rev	220-240V/50Hz/1PH	2890	9854
ASG125SN-B6DT	T1工况	R-410A	12.5ml/rev	208-230V/60Hz/1PH	3550	12105
FG720CB1-N1	T1工况	R-22	10.9ml/rev	2610	8900	CCC
FG720CB1-Y	T1工况	R-22	10.9ml/rev	2620	8934	CCC
FGZ20DB2-N1	T1工况	R-22	12.5ml/rev	3115	10622	CCC
FGZ20DB2-YA	T1工况	R-22	12.5ml/rev	3440	11730	CCC
FGZ20DG2UYA	T1工况	R-22	12.5ml/rev	3440	11730	CCC
FGZ20TB2-N1	T1工况	R-22	13.8ml/rev	4085	13929	CCC
FGZ20TB2-YA	T1工况	R-22	13.8ml/rev	3915	13350	CCC
SG162SV-B6CT	T1工况	R-22	16.2ml/rev	220-240V/50Hz/1PH	2660	9070
SG162SV-G6CU	T1工况	R-22	16.2ml/rev	200-240V/50Hz/1PH	2650	9036
SG167SN-B6CT	T1工况	R-22	16.7ml/rev	220V/60Hz/1PH	3380	11525
SG167SV-B6CT	T1工况	R-22	16.7ml/rev	220-240V/50Hz/1PH	2770	9445
SG167SW-B6CT	T1工况	R-22	16.7ml/rev	115-120V/60Hz/1PH	3380	11525
SG173SN-B6CT	T1工况	R-22	17.3ml/rev	220V/60Hz/1PH	3465	11815
SG173SV-G6CU	T1工况	R-22	17.3ml/rev	220-240V/50Hz/1PH	2850	9718
SG173SW-B6CT	T1工况	R-22	17.3ml/rev	115-120V/60Hz/1PH	3495	11917
SG184SN-B6CT	T1工况	R-22	18.4ml/rev	220V/60Hz/1PH	3760	12821
SG633GA1UW	null	R-22	16.76CC	220-240V/50Hz/1PH	3760	12821

型号	用途	冷媒	排气量	电源	制冷能力	
					W	BTU/h
ASG080CV-B6DT	T1工况	R-410A	8.0ml/rev	220-240V/50Hz/1PH	1840	6274
ASG080SN-B6DT	T1工况	R-410A	8.0ml/rev	208-230V/60Hz/1PH	2270	7740
ASG088CV-B6DT	T1工况	R-410A	8.8ml/rev	220-240V/50Hz/1PH	2060	7024
ASG096CV-B6DT	T1工况	R-410A	9.6ml/rev	220-240V/50Hz/1PH	2200	7502
ASG108CV-B6DT	T1工况	R-410A	10.8ml/rev	220-240V/50Hz/1PH	2550	8695
ASG116CV-B6DT	T1工况	R-410A	11.6ml/rev	220-240V/50Hz/1PH	2730	9309
ASG125CV-B6DT	T1工况	R-410A	12.5ml/rev	220-240V/50Hz/1PH	2890	9854
ASG125SN-B6DT	T1工况	R-410A	12.5ml/rev	208-230V/60Hz/1PH	3550	12105
FG720CB1-N1	T1工况	R-22	10.9ml/rev	2610	8900	CCC
FG720CB1-Y	T1工况	R-22	10.9ml/rev	2620	8934	CCC
FGZ20DB2-N1	T1工况	R-22	12.5ml/rev	3115	10622	CCC
FGZ20DB2-YA	T1工况	R-22	12.5ml/rev	3440	11730	CCC
FGZ20DG2UYA	T1工况	R-22	12.5ml/rev	3440	11730	CCC
FGZ20TB2-N1	T1工况	R-22	13.8ml/rev	4085	13929	CCC
FGZ20TB2-YA	T1工况	R-22	13.8ml/rev	3915	13350	CCC
SG162SV-B6CT	T1工况	R-22	16.2ml/rev	220-240V/50Hz/1PH	2660	9070
SG162SV-G6CU	T1工况	R-22	16.2ml/rev	200-240V/50Hz/1PH	2650	9036
SG167SN-B6CT	T1工况	R-22	16.7ml/rev	220V/60Hz/1PH	3380	11525
SG167SV-B6CT	T1工况	R-22	16.7ml/rev	220-240V/50Hz/1PH	2770	9445
SG167SW-B6CT	T1工况	R-22	16.7ml/rev	115-120V/60Hz/1PH	3380	11525
SG173SN-B6CT	T1工况	R-22	17.3ml/rev	220V/60Hz/1PH	3465	11815

SG173SV-G6CU	T1工况	R-22	17.3ml/rev	220-240V/50Hz/1PH	2850	9718
SG173SW-B6CT	T1工况	R-22	17.3ml/rev	115-120V/60Hz/1PH	3495	11917
SG184SN-B6CT	T1工况	R-22	18.4ml/rev	220V/60Hz/1PH	3760	12821
SG633GA1UW	null	R-22	16.76CC	220-240V/50Hz/1PH	3760	12821

型号	用途	冷媒	排气量	电源	制冷能力	
					W	BTU/h
CSD145CV-H3AG	null	R-407C	14.5ml/rev	220-240V/50Hz/1PH	0	0
BSD122DT-P6AG	T1工况	R-134a	12.2ml/rev	230V/50-60Hz/1PH	1415	4825
BSD122DT-P6AU	T1工况	R-134a	12.2ml/rev	230V/50-60Hz/1PH	1415	4825
SD074CV-H3BG	T1工况	R-22	7.4ml/rev	220-240V/50Hz/1PH	1210	4126
SD074CV-H3BU	T1工况	R-22	7.4ml/rev	220-240V/50Hz/1PH	1210	4126
SD074CV-P3BG	T1工况	R-22	7.4ml/rev	220-240V/50Hz/1PH	1210	4126
SD074CV-P3BU	T1工况	R-22	7.4ml/rev	220-240V/50Hz/1PH	1210	4126
SD074CW-H3BU	T1工况	R-22	7.4ml/rev	115-120V/60Hz/1PH	1470	5012
SD074SN-H3BG	T1工况	R-22	7.4ml/rev	208-230V/60Hz/1PH	1460	4978
SD074SN-H3BU	T1工况	R-22	7.4ml/rev	208-230V/60Hz/1PH	1460	4978
SD074SW-H3BG	T1工况	R-22	7.4ml/rev	115-120V/60Hz/1PH	1520	5183
SD074SW-H3BU	T1工况	R-22	7.4ml/rev	115-120V/60Hz/1PH	1520	5183
SD074SW-H3BX	T1工况	R-22	7.4ml/rev	115-120V/60Hz/1PH	1520	5183
SD074SW-P3BD	T1工况	R-22	7.4ml/rev	115-120V/60Hz/1PH	1520	5183
SD074SW-P3BG	T1工况	R-22	7.4ml/rev	115-120V/60Hz/1PH	1520	5183
SD074SW-P3BU	T1工况	R-22	7.4ml/rev	115-120V/60Hz/1PH	1520	5183
SD074UW-H3BG	T1工况	R-22	7.4ml/rev	115-120V/60Hz/1PH	1530	5217
SD074UW-H3BU	T1工况	R-22	7.4ml/rev	115-120V/60Hz/1PH	1530	5217
SD074UW-H3BX	T1工况	R-22	7.4ml/rev	115-120V/60Hz/1PH	1530	5217
SD074UW-P3BD	T1工况	R-22	7.4ml/rev	115-120V/60Hz/1PH	1530	5217
SD074UW-P3BG	T1工况	R-22	7.4ml/rev	115-120V/60Hz/1PH	1530	5217
SD074UW-P3BU	T1工况	R-22	7.4ml/rev	115-120V/60Hz/1PH	1530	5217
SD080SW-P3BG	T1工况	R-22	8.0ml/rev	115-120V/60Hz/1PH	1645	5609
SD086CV-H3BG	T1工况	R-22	8.6ml/rev	220-240V/50Hz/1PH	1420	4842
SD086CV-H3BU	T1工况	R-22	8.6ml/rev	220-240V/50Hz/1PH	1420	4842
SD086CV-P3BG	T1工况	R-22	8.6ml/rev	220-240V/50Hz/1PH	1420	4842
SD086CV-P3BU	T1工况	R-22	8.6ml/rev	220-240V/50Hz/1PH	1420	4842
SD086SN-H3BG	T1工况	R-22	8.6ml/rev	208-230V/60Hz/1PH	1740	5933
SD086SN-H3BU	T1工况	R-22	8.6ml/rev	208-230V/60Hz/1PH	1740	5933
SD086SW-H3BG	T1工况	R-22	8.6ml/rev	115-120V/60Hz/1PH	1773	6045
SD086SW-H3BU	T1工况	R-22	8.6ml/rev	115-120V/60Hz/1PH	1773	6045
SD086SW-H3BX	T1工况	R-22	8.6ml/rev	115-120V/60Hz/1PH	1773	6045
SD086UW-H3BG	T1工况	R-22	8.6ml/rev	115-120V/60Hz/1PH	1785	6086
SD086UW-H3BU	T1工况	R-22	8.6ml/rev	115-120V/60Hz/1PH	1785	6086
SD086UW-P3BG	T1工况	R-22	8.6ml/rev	115-120V/60Hz/1PH	1785	6086
SD086UW-P3BU	T1工况	R-22	8.6ml/rev	115-120V/60Hz/1PH	1785	6086
SD091CV-H3BG	T1工况	R-22	9.1ml/rev	220-240V/50Hz/1PH	1490	5080

SD091CV-H3BU	T1工况	R-22	9.1ml/rev	220-240V/50Hz/1PH	1490	5080
SD091SN-H3BG	T1工况	R-22	9.1ml/rev	208-230V/60Hz/1PH	1845	6291
SD091SN-H3BU	T1工况	R-22	9.1ml/rev	208-230V/60Hz/1PH	1845	6291
SD091SW-P3BG	T1工况	R-22	9.1ml/rev	115-120V/60Hz/1PH	1900	6479
SD091SW-P3BU	T1工况	R-22	9.1ml/rev	115-120V/60Hz/1PH	1900	6479
SD104CV-H3AG	T1工况	R-22	10.4ml/rev	220-240V/50Hz/1PH	1740	5933
SD104CV-H3AU	T1工况	R-22	10.4ml/rev	220-240V/50Hz/1PH	1740	5933
SD104CV-P6AG	T1工况	R-22	10.4ml/rev	220-240V/50Hz/1PH	1740	5933
SD104SN-H3AG	T1工况	R-22	10.4ml/rev	208-230V/60Hz/1PH	2131	7266
SD104SN-H3AU	T1工况	R-22	10.4ml/rev	208-230V/60Hz/1PH	2131	7266
SD104SW-H3AG	T1工况	R-22	10.4ml/rev	115-120V/60Hz/1PH	2131	7266
SD104SW-H3AGF	T1工况	R-22	10.4ml/rev	115-120V/60Hz/1PH	2131	7266
SD104SW-H3AU	T1工况	R-22	10.4ml/rev	115-120V/60Hz/1PH	2131	7266
SD104SW-H3AUF	T1工况	R-22	10.4ml/rev	115-120V/60Hz/1PH	2131	7266
SD104SW-P3AU	T1工况	R-22	10.4ml/rev	115-120V/60Hz/1PH	2131	7266
SD111SW-H3AG	T1工况	R-22	11.1ml/rev	115-120V/60Hz/1PH	2320	7911
SD111SW-H3AU	T1工况	R-22	11.1ml/rev	115-120V/60Hz/1PH	2320	7911
SD122CV-H3AG	T1工况	R-22	12.2ml/rev	220-240V/50Hz/1PH	2040	6956
SD122CV-H3AU	T1工况	R-22	12.2ml/rev	220-240V/50Hz/1PH	2040	6956
SD122SN-H3AG	T1工况	R-22	12.2ml/rev	208-230V/60Hz/1PH	2490	8490
SD122SN-H3AU	T1工况	R-22	12.2ml/rev	208-230V/60Hz/1PH	2490	8490
SD122SN-P6AG	T1工况	R-22	12.2ml/rev	208-230V/60Hz/1PH	2490	8490
SD122SW-H3AG	T1工况	R-22	12.2ml/rev	115-120V/60Hz/1PH	2535	8644
SD134CV-H3AG	T1工况	R-22	13.4ml/rev	220-240V/50Hz/1PH	2260	7706
SD134CV-H3AU	T1工况	R-22	13.4ml/rev	220-240V/50Hz/1PH	2260	7706
SD134CV-H6AG	T1工况	R-22	13.4ml/rev	220-240V/50Hz/1PH	2260	7706
SD134CV-H6AU	T1工况	R-22	13.4ml/rev	220-240V/50Hz/1PH	2260	7706
SD134CV-P6AG	T1工况	R-22	13.4ml/rev	220-240V/50Hz/1PH	2260	7706
SD134SN-H3AG	T1工况	R-22	13.4ml/rev	208-230V/60Hz/1PH	2785	9496
SD134SN-H3AU	T1工况	R-22	13.4ml/rev	208-230V/60Hz/1PH	2785	9496
SD134SN-H6AG	T1工况	R-22	13.4ml/rev	208-230V/60Hz/1PH	2785	9496
SD134SN-H6AU	T1工况	R-22	13.4ml/rev	208-230V/60Hz/1PH	2785	9496
SD134SN-P6AG	T1工况	R-22	13.4ml/rev	208-230V/60Hz/1PH	2785	9496
SD134SV-H6AU	T1工况	R-22	13.4ml/rev	220-240V/50Hz/1PH	2785	9496
SD134SW-H3AG	T1工况	R-22	13.4ml/rev	115-120V/60Hz/1PH	2185	7450
SD134SW-H3AU	T1工况	R-22	13.4ml/rev	115-120V/60Hz/1PH	2185	7450
SD134SW-H6AG	T1工况	R-22	13.4ml/rev	115-120V/60Hz/1PH	2185	7450
SD134SW-H6AU	T1工况	R-22	13.4ml/rev	115-120V/60Hz/1PH	2185	7450
SD134SW-P6AG	T1工况	R-22	13.4ml/rev	115-120V/60Hz/1PH	2185	7450
SD145CV-H3AG	T1工况	R-22	14.5ml/rev	220-240V/50Hz/1PH	2480	8456
SD145CV-H3AU	T1工况	R-22	14.5ml/rev	220-240V/50Hz/1PH	2480	8456
SD145CV-H6AG	T1工况	R-22	14.5ml/rev	220-240V/50Hz/1PH	2480	8456
SD145CV-H6AU	T1工况	R-22	14.5ml/rev	220-240V/50Hz/1PH	2480	8456
SD145CV-P6AG	T1工况	R-22	14.5ml/rev	220-240V/50Hz/1PH	2480	8456

SD145SW-H6AG	null	null	null	null	2480	8456
SD156CV-H6AU	T1工况	R-22	15.6ml/rev	220-240V/50Hz/1PH	2760	9411
SD156CV-P6AG	T1工况	R-22	15.6ml/rev	220-240V/50Hz/1PH	2760	9411

TH428RV-C9EU, 排量43.8ml/rev, 额定能力7330w

获取更多资料 微信搜索蓝领星球

备注
认证中
CCC
CCC
认证中
认证中
CCC/TUV
CCC
CCC
认证中
CCC
CCC/TUV
认证中
CCC
认证中
认证中
CCC/TUV
CCC

备注
CCC
CCC

备注
CCC/TUV
CCC/TUV
UL
CCC/TUV
UL
CCC/TUV
CCC/TUV
CCC/TUV
CCC/TUV
UL
UL
CCC
UL
CCC
UL
CCC
CCC

获取更多资料 微信搜索蓝领星球

CCC
CCC
CCC
CCC
CCC
CCC
UL
CCC
UL
CCC

备注
CCC/TUV
CCC/TUV
UL
CCC/TUV
UL
CCC/TUV
CCC/TUV
CCC/TUV
CCC/TUV
UL
UL
CCC
UL
CCC
UL
CCC
CCC
CCC
CCC
CCC
CCC
CCC
CCC
CCC
UL
CCC
UL
CC

备注
CCC/TUV

获取更多资料 微信搜索蓝领星球

CCC/TUV
UL
CCC/TUV
UL
CCC/TUV
CCC/TUV
CCC/TUV
CCC/TUV
UL
UL
CCC
UL
CCC
UL
CCC
CCC
CCC
CCC
CCC
CCC
CCC
CCC
CCC
UL
CCC
UL
CCC

备注
UL
UL
CCC/TUV
CCC/TUV
CCC/TUV
CCC/TUV
CCC/TUV
CCC/TUV
UL
CCC/TUV
CCC/TUV
认证中
认证中
认证中
认证中
认证中

获取更多资料 微信搜索 蓝领星球

认证中
CCC/TUV
认证中
CCC/TUV
CCC
CCC
认证中
UL
认证中
CCC
UL
UL
认证中
UL
UL
UL
CCC
CCC
CCC
认证中
CCC
CCC
认证中
CCC
UL
CCC
CCC/TUV
CCC
UL
认证中
CCC/TUV
CCC/TUV
CCC/TUV
CCC/TUV
CCC/TUV
CCC/TUV
CCC/TUV

备注
CCC/TUV
UL
CCC/TUV
CCC/TUV
CCC/TUV

获取更多资料 微信搜索蓝领星球

CCC/TUV
CCC/TUV
UL
CCC
CCC
UL
CCC
UL
UL
CCC
UL
UL
认证中

备注
CCC/TUV
UL
CCC/TUV
CCC/TUV
CCC/TUV
CCC/TUV
CCC/TUV
UL
CCC
CCC
UL
CCC
UL
UL

获取更多资料 微信搜索蓝领星球

CCC/TUV
UL
UL
UL
UL
CCC/TUV
CCC/TUV
CCC/TUV
UL
UL
UL
UL
UL
UL
UL
UL
UL
UL
CCC/TUV
CCC/TUV
UL
UL
UL
UL
UL
CCC/TUV
CCC/TUV
CCC/TUV
CCC/TUV
CCC/TUV
UL
UL
UL
UL
UL
TUV
UL
UL
UL
UL
UL
CCC/TUV
CCC/TUV
CCC/TUV
CCC/TUV
CCC/TUV

获取更多资料 微信搜索 蓝领星球

UL
CCC/TUV
CCC/TUV

获取更多资料 微信搜索蓝领星球

CR系列压缩机性能参数								
型号 Model	马力 HP	冷凝温度 ℃	制冷量 (W)					
			R22					
			10	7.2	4.4	-1.1	-6.7	-12.1
CR18KQ	1.5	32.2	6790	6110	5470	4350	3360	2530
		43.3	5800	5190	4620	3610	2710	1970
		54.4	4870	4330	3820	2930	2140	1490
CR24KQ	2	32.2	8370	7550	6780	5410	4210	3210
		43.3	7170	6430	5740	4520	3450	2560
		54.4	6030	5380	4780	3720	2780	2010
CR33KQ	2.5	32.2	12510	11240	10040	7930	6050	4490
		43.3	10600	9450	8360	6450	4750	3340
		54.4	8740	7710	6750	5040	3550	2320
CR37KQ	3	32.2	14250	12840	11520	9180	7110	5390
		43.3	12150	10870	9670	7560	5690	4130
		54.4	10060	8920	7860	5980	4320	2960
CR47KQ	3.5	32.2	17040	15410	13880	11180	8800	6820
		43.3	14660	13180	11810	9370	7220	5440
		54.4	12280	10960	9740	7580	5680	4110
CR53KQ	4	32.2	19310	17400	15630	12480	9700	7370
		43.3	16680	14940	13330	10470	7940	5830
		54.4	14110	12570	11120	8570	6310	4440
		32.2	22070	19950	17970	14470	11830	8810

技术参数:

型号	HP	冷凝温度 °C	制冷量					
			R22					
			10°C	7.2°C	4.4°C	-1.1°C	-6.7°C	-12.1°C
ZR34K3-PFJ	2.83	37.8	10600	9700	8820	7210	5800	4570
		48.9	9580	8730	7910	6420	5130	3980
		60	8380	7620	6860	5510		
ZR36K3-3-PFJ	3	37.8	11400	10400	9460	7760	6270	4980
		48.9	10300	9350	8470	6890	5510	4340
		60	9050	8170	7380	5920		
ZR57KC-TFD	4.75	37.8	17800	16200	14700	12000	9640	7530
		48.9	16100	14600	13200	10600	8290	6240
		60	14200	12800	11500	9050		
ZR61KC-TFD	5.08	37.8	11800	17200	15700	12800	10300	8000
		48.9	17000	15500	14000	11300	897	6940
		60	15100	13700	12300	9900		
ZR72KC-TFD	6	37.8	22500	20600	18900	15600	12800	10400
		48.9	20500	18700	17100	14000	11400	9050
		60	18000	16100	14900	12000		
ZR94KC-TFD	8	37.8	29600	27100	24600	20200	16300	12800
		48.9	26900	24400	22100	17900	14200	10800
		60	23700	21400	19200	15200		
ZR125KC-TFD	10	37.8	39100	35700	32500	26700	21700	17300
		48.9	35500	32200	29300	24000	19300	15300

			输入功率 (W)	
-17.8	-23.3	-25	7.2	-12.1
1780	1160	990	1060	910
1310	770		1300	980
930	480		1500	1030
2300	1550	1390	1360	1140
1750	1140		1680	1240
1360	810		1960	1330
3070	1910	1590	1870	1520
2080	1080		2270	1570
1250	470		2570	1550
3830	2165	2200	2160	1770
2750	1620		2640	1860
1770	850		3030	1870
5030	3550	3140	2610	2160
3830	2510		3210	2330
2700	1590		3700	2420
5260	3520	3240	3080	2380
3920	2370		3670	2570
2770	1450		4140	2690
6470	4550	4020	3540	2840

		输入功率 (W)	
-17.8°C	-23.3°C	7.2°C	-12.1°C
3550	2720	1750	1800
		2240	2300
		2880	
3870	2850	1880	1950
		2400	2480
		3100	
5650	4040	3000	2890
		3720	3610
		4650	
6150	4750	3200	2960
		3960	3780
		4990	
8230	6450	3730	3610
		4670	4660
		6000	
9790	7060	5060	4910
		6260	6220
		7850	
13600	10500	6550	6300
		8100	7980

微信搜索蓝领星球

	东芝压缩机 型号	用途	冷媒/最大 容量	排气量	电源	冷量W	功率
YH系列	YH440X3 CS-	T1	R22*2.1K G	43.5	380V/50H z/3PH	7600	2375
	YH460X3 CS-	T1	R22*2.5KG	45.9ml/rev	380V/50H z/3PH	7100	2560
	YH480X3 CS-	T3	R22*2.6KG	47.9ml/rev	380V/50H z/3PH	8410	2610
PH系列	PH130X1 C-4DZ*2	T1	R22*0.85K G	13.2ml/rev	220- 240V/50H z/1PH	2090	675
	PH165X1C -4DZ*2	T1	R22*0.88K G	16.5ml/rev	220- 240V/50H z/1PH	2810	920
	PH225X2 C-4FT	T1	R22*1.22K G	21.6ml/rev	220- 240V/50H z/1PH	3870	1250
	PH290X2 C-4FT1	T1	R22*1.30K G	29ml/rev	220- 240V/50H z/1PH	5130	1739
	PH295X2C -4FT1	T1	R22*1.30K G	29.4ml/rev	220- 240V/50H z/1PH	5190	1780
	PH330X2 CS-4KU3	T1	R22*1.50K G	32.6ml/rev	220- 240V/50H z/1PH	5720	1920
	PG340X3C -4KU1	T1	R407*1.50 KG	34.2ml/rev	220- 240V/50H z/1PH	5950	1945
	PH420X3 CS-4MU1	T1	R22*1.80K G	40.2ml/rev	220- 240V/50H z/1PH	7400	2533
	PH440X3 CS-4MU1	T1	R22*1.85K G	44.2ml/rev	220- 240V/50H z/1PH	7650	2608
	PG480X3 CS-4MU1	T1	R22*1.90K G	47.8ml/rev	220- 240V/50H z/1PH	8365	2735

NO	机型名 Model Name	排量 Displ.	制冷量 Capacity	功率 Power	COP	电流 Current	噪音 Noise	电容 Capacitor
		(cm3/rev)	(±5%W)	(±5% W)	(±5%)	(A)	±3dB(A)	μ F-V
1	PH108X1CY- 8BGD2	10.8	1820	595	3.06	2.7	59	25/370
2	PH120X1CY- 8BGD2	12.2	2090	675	3.1	3.1	59	25/370
3	PH135X1C- 8DZD2	13.6	2280	750	3.04	3.4	59	25/370
4	PH150X1C- 8DZD2	14.8	2500	820	3.05	3.8	60	25/370
5	PH155X1C- 8DZD2	15.4	2600	850	3.06	4	59	25/370

6	PH160X1C-8DZD2	16.1	2720	890	3.06	4.1	59	25/370
7	PH165X1C-8DZD2	16.5	2810	920	3.05	4.2	59	25/370
8	PH170X1C-8DZD2	17.1	2920	960	3.04	4.5	59	25/370
9	PH180X1C-8DZD2	17.8	3050	1025	2.98	4.8	59	25/370
10	PH195X2C-8FTC	19.3	3330	1080	3.08	5	61	25/370
11	PH200X2C-8FTC	20	3470	1135	3.06	5.2	61	25/370
12	PH215X2C-8FTC	21.6	3750	1210	3.1	5.6	61	35/370
13	PH225X2C-8FTC	22.4	3870	1250	3.1	5.7	61	35/370
14	PH230X2C-8FTC	23.1	3990	1310	3.05	6	61	35/370
15	PH240X2C-8FTC	23.9	4140	1355	3.06	6.2	61	35/370
16	PH260X2C-8FTC1	26.2	4600	1510	3.05	7.3	63	35/370
17	PH280X2C-8FTC1	28	4900	1570	3.12	7.5	64	35/370
18	PH290X2C-8FTC1	29	5110	1650	3.1	8	64	35/370
19	PH295X2C-8FTC1	29.4	5180	1670	3.1	8	64	35/370
20	PH295X2CS-8KUC1	29.4	5200	1700	3.06	8	65	35/370
21	PH310X2CS-8KUC1	30.8	5410	1815	2.98	9.5	64	40/370
22	PH330X2CS-8KUC3	32.8	5720	1920	2.98	10	64	40/370
23	PH340X2CS-8KUC1	33.8	5860	1890	3.1	9	66	45/400
24	PH340X3C-8KUC1	34.2	5950	1945	3.06	9.1	66	50/400
25	PH360X3C-8KUC1	35.7	6220	2040	3.05	9.6	66	50/400
26	PH400X3C-8KUC1	40.2	6920	2245	3.08	10.5	66	50/400
27	PH420X3C-8KUC1	42	7400	2370	3.12	11.1	66	50/400
28	PH440X3C-8KUC1	43.5	7650	2510	3.05	12.3	66	50/400
29	PH460X3C-8KUC1	45.9	8060	2600	3.1	12.5	68	55/400
30	PH480X3C-8KUC1	47.9	8460	2730	3.1	13	67	55/400

1	PH120X1C-8BGD3	12.2	2095	655	3.2			
2	PH130X1C-8DZD3	13.1	2210	710	3.11	3.3	61	25/370
3	PH135X1C-8DZD*	13.6	2280	725	3.15			
4	PH150X1C-8FTD3	14.8	2550	810	3.15	3.7	61	30/370
5	PH160X1C-8FTD3	16.1	2770	880	3.15	4	61	30/370
6	PH165X1C-8FTD3	16.5	2815	895	3.15	4.1	61	30/370

7	PH170X1C-8FTD3	17.1	2945	935	3.15	4.3	61	30/370
8	PH180X1C-8FTD3	17.8	3040	965	3.15	4.5	61	30/370
9	PH185X2C-8FTC1	18.4	3200	985	3.25			
10	PH195X2C-8FTC1	19.3	3345	1045	3.2	4.8	64	35/370
11	PH200X2C-8FTC1	20	3465	1100	3.15	5.2	64	30/370
12	PH200X2C-8FTC*	20	3425	1070	3.2	4.9	64	35/370
13	PH215X2C-8FTC*	21.6	3740	1170	3.2			
14	PH225X2C-8FTC1	22.4	3870	1230	3.15	5.6	64	35/370
15	PH230X2C-8FTC1	23.1	3995	1250	3.2			
16	PH240X2C-8FTC1	23.9	4100	1280	3.2	7.5	64	35/370
17	PH260X2CS-8KUC3	26.2	4350	1440	3.15	5.9	63	35/400
18	PH261X2CS-8KUC*	26.2	4660	1455	3.2			
19	PH270X2CS-8KUC1	27	4770	1490	3.2	7	64	
20	PH280X2CS-8KUC3	28.1	4900	1530	3.2			
21	PH290X2CS-8KUC3	29	5050	1580	3.2	7.3	66	35/400
22	PH310X2CS-8KUC3	30.8	5350	1670	3.2			
23	PH330X2CS-8KUC4	32.8	5690	1820	3.13	8.5	66	50/400
24	PH340X3CS-8MUC3	34.2	6040	1860	3.25			

24	PH340X3CS-8MUC3	34.2	6040	1860	3.25			
25	PH360X3CS-8MUC3	35.7	6300	1940	3.25			
26	PH370X3CS-8MUC*	37.0	6550	2060	3.18	9.7	66	
27	PH400X3CS-8MUC3	40.2	6920	2165	3.20			
28	PH420X3CS-8MUC3	42.0	7400	2315	3.20			
29	PH440X3C-8KUC1	43.5	7650	2390	3.20			

NO	机型名	排量	制冷量	功率	COP	电流	噪音	油量
	Model Name	Displ. (cm3/rev)	Capacity (±5%W)	Power (±5% W)		Current (A)	Noise ±3dB(A)	Oil (POE) (ml)
R22 3 φ-380V~50Hz								
1	YH440X3CS-4MUC1	43.5	7540	2400	3.14	4.7	67	950
2	YH460X3CS-4MUC1	45.9	8000	2580	3.1	5.2	67	1100
3	YH480X3CS-4MUC1	47.9	8350	2690	3.1	5.4	67	1100
R407C 3 φ-380~50Hz								

4	YG440X3CS-9MU1	43.5	7800	2480	3.15	5	950
5	YG460X3CS-9MU1	45.9	8350	2690	3.1	5.4	1100
6	YG480X3CS-9MU1	47.09	8680	2800	3.1	5.6	1100

NO	机型名 Model Name	排量 Displ. (cm3/rev)	制冷量 Capacity		制冷量 Capacity		功率 Power	
			±5%(W)		±5%(Btu/H)		±5%(W)	
			220V	240V	220V	240V	220V	240V
1	PH108X1C-4DZDE2	10.8	1820	1840	6206	6274	595	615
2	PH120X1C-4DZDE3	12.2	2090	2110	7127	7195	675	695
3	PH130X1C-4DZDE3	13.1	2210	2230	7536	7604	710	735
4	PH135X1C-4DZDE2	13.6	2280	2300	7775	7843	750	770
5	PH150X1C-4DZDE2	14.8	2500	2535	8525	8644	820	855
6	PH150X1C-4DZDE3	14.8	2520	2535	8593	8644	810	850
7	PH160X1C-4DZDE2	16.1	2720	2750	9275	9378	890	920
8	PH160X1C-4DZDE3	16.1	2730	2740	9309	9343	880	915
9	PH165X1C-4DZDE2	16.5	2810	2840	9582	9684	920	950
10	PH165X1C-4DZDE3	16.5	2795	2820	9531	9616	895	930
11	PH170X1C-4DZDE2	17.1	2920	2940	9957	10025	970	1020
12	PH170X1C-4DZDE3	17.1	2920	2950	9957	10060	935	965
13	PH180X1C-4DZDE2	17.8	3050	3080	10401	10503	1025	1065
14	PH180X1C-4DZDE3	17.8	3015	3060	10281	10435	965	1000
15	PH200X2C-4FT	20	3470	3505	11833	11952	1135	1160
16	PH200X2C-4FT1	20	3465	3475	11816	11850	1100	1135
17	PH215X2C-4FT	21.6	3750	3760	12788	12822	1210	1255
18	PH225X2C-4FT	22.4	3870	3900	13197	13299	1250	1285
19	PH230X2C-4FT	23.1	3990		13606		1310	
20	PH240X2C-4FT	23.9	4140	4180	14117	14254	1355	1380
21	PH260X2C-4FT1	26.2	4600		15686		1510	
22	PH260X2C-4FT3	26.2	4530	4575	15447	15601	1440	1500
23	PH280X2C-4FT1	28	4890	4925	16675	16794	1580	1670
24	PH290X2C-4FT1	29	5100	5130	17391	17493	1670	1760
25	PH295X2C-4FT1	29.4	5130	5160	17493	17596	1680	1780

26	PH330X2CS-4KU1	32.8	5270	5770	19505	19676	1920	2060
27	PH340X2CSZ-4KU1	33.8	5860	5900	19983	20119	1890	1990
28	PH340X3C-4KU1	34.2	5950	6000	20290	20460	1945	2045
29	PH360X3C-4KU1	35.7	6240		21278	20460	2045	2045
30	PH400X3CS-4KU1	40.2	6920	6945	23579	23682	2245	2360
31	PH420X3CS-4MU1	43.5	7400	7430	25234	25336	2370	
32	PH440X3CS-4MU1	42	7650	7650	26087	26087	2510	2690
33	PH460X3CS-4MU1	45.9	8060		27485		2600	
34	PH480X3CS-4MU1	47.9	8460		28849		2730	

获取更多资料 微信搜索 蓝领星球

获取更多资料 微信搜索蓝领星球

油量 Oil (POE) (ml)	R22许容量 R22 Max (kg)	重量 Wt. (kg)	外形尺寸见 表10 Sizes Refer to
350	0.7	10.7	No.1
350	0.7	10.7	No.1
400	0.85	12	No.6
400	0.85	12	No.6
400	0.85	12	No.6

400	0.85	12	No.6
400	0.85	12	No.6
400	0.85	12	No.6
400	0.85	12	No.6
480	1.1	15.1	No.16
480	1.1	15.1	No.16
480	1.2	15.8	No.16
480	1.2	15.8	No.16
480	1.2	15.8	No.16
480	1.2	15.8	No.16
520	1.3	16.3	No.21
520	1.3	17.1	No.21
520	1.3	17.1	No.21
520	1.3	17.1	No.21
750	1.8	17.7	No.22
750	1.8	17.7	No.22
750	1.8	17.7	No.22
750	1.8	18.1	No.23
750	1.8	20.6	No.25
750	1.8	20.6	No.25
950	2.1	23.3	No.27
950	2.1	23.3	No.28
950	2.1	23.3	No.28
1100	2.45	25.2	No.29
1100	2.45	25.2	No.29

***开发中Underdevelopment

350	0.85	11.2	No.3
-----	------	------	------

***开发中Underdevelopment

400	1	12.4	No.9
400	1	12.4	No.9
400	1	12.4	No.9

微信搜索 蓝领星球

获取更多的资料

400	1	12.4	No.9
400	1	12.4	No.9
***开发中Underdevelopment			
480	1	16.5	No.16
480	1.1	15.8	No.16
480	1.1	15.1	No.16
***开发中Underdevelopment			
480	1.2	15.8	No.16
***开发中Underdevelopment			
480	1.2	16.5	No.16
520	1.8	17.7	No.22
***开发中Underdevelopment			
750	1.8	18.1	No.23
750	1.8	18.1	No.23
750	1.8	18.1	No.23
***开发中Underdevelopment			

冷媒许容量 Refrigerant tMax	重量 Wt.	外形尺寸见 表10 Sizes Refer to
(kg)	(kg)	
2.1	23.7	No.28
2.45	24.2	No.29
2.45	24.2	No.29

2.1	23.7	No.28
2.45	24.2	No.29
2.45	24.2	No.29

COP		EER		电流	噪音	电容	油量	R22许容量
(W/W)		(Btu/HW)		Current	Noise	Capacitor	Oil	R22 Max
220V	240V	220V	240V	(A)	±3dB(A)	μ F-V	(POE)	(kg)
3.06	2.99	10.4	10.2	2.7/2.6	59	25/370	350	0.85
3.1	3.04	10.6	10.4	3.1/2.9	59	25/370	350	0.85
3.11	3.03	10.6	10.3	3.3/3.2	61	25/370	350	0.85
3.04	2.99	10.4	10.2	3.4/3.2	59	25/370	400	0.85
3.05	2.96	10.4	10.1	3.8/3.7	60	25/370	400	0.85
3.11	2.98	10.6	10.2	3.7/3.7	61	30/370	400	0.85
3.06	2.99	10.4	10.2	4.1/4.0	59	25/370	400	0.85
3.1	2.99	10.6	10.2	4.0/3.9	61	30/370	400	0.85
3.05	2.99	10.4	10.2	4.2/4.0	59	25/370	400	0.85
3.12	3.03	10.6	10.3	4.1/4.0	61	30/370	400	0.85
3.01	2.88	10.3	9.8	4.5/4.4	59	25/370	400	0.85
3.12	3.06	10.6	10.4	4.3/4.2	61	30/370	400	0.85
2.98	2.89	10.1	9.9	4.8/4.8	59	25/370	400	0.85
3.12	3.06	10.7	10.4	4.5/4.3	61	30/370	400	0.85
3.06	3.02	10.4	10.3	5.2/5.0	61	25/370	480	1.1
3.15	3.06	10.7	10.4	5.2/5.2	64	30/370	480	1.1
3.1	3	10.6	10.2	5.6/5.4	61	35/370	480	1.2
3.1	3.04	10.6	10.3	5.7/5.5	61	35/370	480	1.2
3.05		10.4		6	61	35/370	480	1.2
3.06	3.03	10.4	10.3	6.2/5.9	61	35/370	480	1.2
3.05		10.4		7.3	64	35/370	520	1.3
3.15	3.05	10.7	10.4	6.8/6.8	65	35/400	520	1.3
3.09	2.95	10.6	10.1	7.6/8.0	64	35/370	520	1.3
3.05	2.91	10.4	9.9	8.0/8.3	64	35/370	520	1.3
3.05	2.9	10.4	9.9	8.1/8.5	64	35/370	520	1.3

2.98	2.8	10.2	9.6	9.4/10.1	64	40/370	750	1.8
3.1	2.96	10.6	10.1	9.0/9.4	66	45/400	750	1.8
3.06	2.93	10.4	10	9.1/9.6	66	50/400	750	1.8
3.05	2.93	10.4	10	9.6	66	50/400	750	1.8
3.08	2.94	10.5	10	10.5/11.1	66	50/400	950	2.1
3.12		10.6		11.1/11.4	66	50/400	950	2.1
3.05	2.84	10.4	9.7	12.3/13.8	66	50/400	950	2.1
3.1		10.6		12.5	68	55/400	1100	2.45
3.1		10.6		13	67	55/400	1100	2.45

获取更多资料 微信搜索蓝领星球

获取更多资料 微信搜索蓝领星球

获取更多资料 微信搜索蓝领星球

获取更多资料 微信搜索蓝领星球

重量 Wt. (kg)	外形尺寸见 表10 Sizes refer to
11.2	No.3
11.2	No.3
11.2	No.3
12	No.6
12	No.6
12	No.6
12	No.6
12	No.6
12	No.6
12	No.6
12	No.6
12	No.6
12	No.6
12	No.6
12	No.6
12	No.6
12	No.6
15.1	No.16
15.8	No.16
15.8	No.16
15.8	No.16
15.8	No.16
15.8	No.16
15.8	No.16
16.3	No.21
17.1	No.21
17.1	No.21
17.1	No.21
17.1	No.21

获取更多资料 微信搜索 蓝领星球

17.7	No.22
18.1	No.23
20.6	No.25
20.6	No.25
23.3	No.27
23.3	No.28
23.3	No.28
25.2	No.29
25.2	No.29

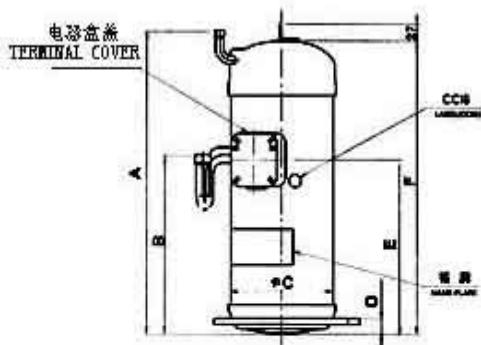
获取更多资料 微信搜索蓝领星球

序号	压缩机型号	电源	额定功率	制冷量	电机输入	能效比	噪音
			HP	KW	KW	W/W	db (A)
1	JT90BHBY1L	三相380V	3	8.55	2.67	3.2	58
2	JT95BHBY1L	三相380V	3	9.2	2.8	3.25	58
3	JT125BCBY1L	三相380V	4	11.9	3.8	3.13	60
4	JT160BCBY1L	三相380V	5	15	4.66	3.22	60
5	JT160BHBY1L	三相380V	5				
6	JT90BHBV1L	单相220V	3	8.55	2.67	3.2	58
7	JT95BHBV1L	单相220V	3	9.2	2.83	3.25	58
8	JT95BH-V1L	单相220V	3	9.2	2.83	3.25	58
9	JT212D-YE	三相380V/50Hz	7.5	21.8/25.6	6.4/7.6	3.37	72/75
10	JT236D-YE	三相380V/50Hz	7.5	24.3/28.7	7.21/8.52	3.37	72/75
11	JT265D-YE	三相400V/60Hz	8	26.8/31.9	7.91/9.41	3.39	72/75
12	JT300D-YE	三相400V/60Hz	12	30.5/35.8	8.94/10.5	3.41	72/75

四、外型

B型:

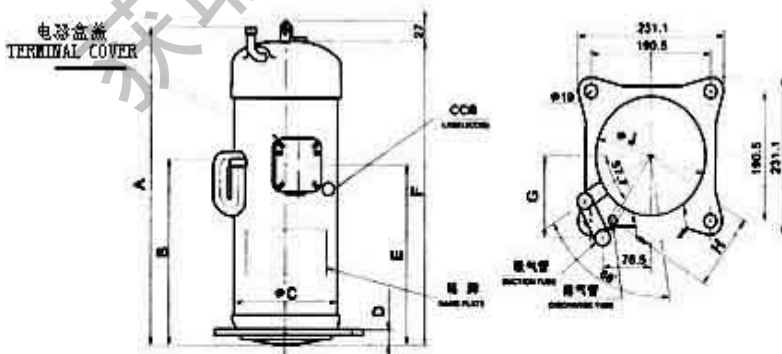
B型:



型号	A	B	C	D	E	F	G	H	J
JT90(95)BC(H)-Y1L	448.8	260.0	158.4	20.9	262.5	445.0	124.4	102.2	164.2
JT125BC-Y1L	462.3	273.0	166.1	20.8	273.0	445.8	129.3	111.7	174.0
JT160BC-Y1L	476.3	283.0	166.1	20.8	275.5	459.8	129.3	111.7	174.0
JT90(95)BC(H)-V1L	462.8	274.0	158.4	20.9	276.5	459.0	124.4	102.2	164.2

一、特

1. 7



2. 1

以达到越简

型号	A	B	C	D	E	F	G	H	J

2. 1

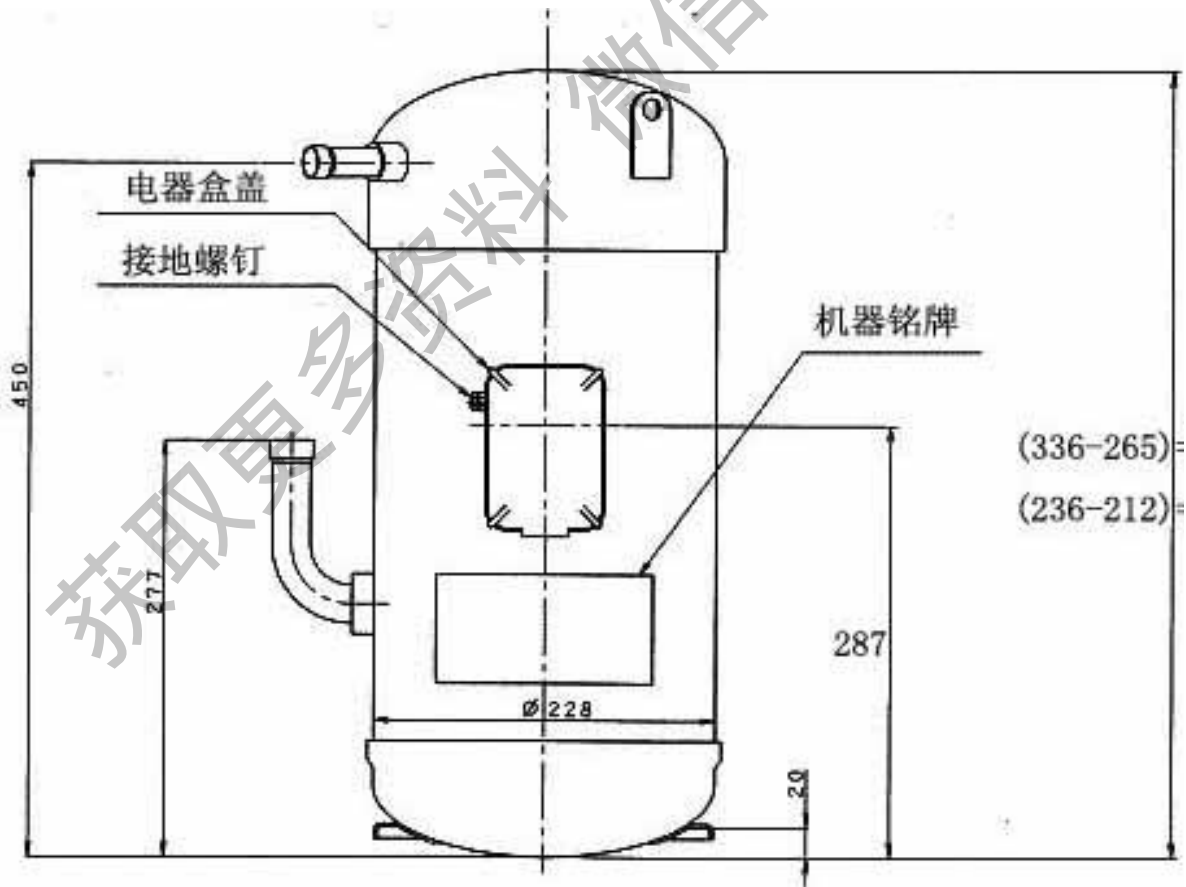
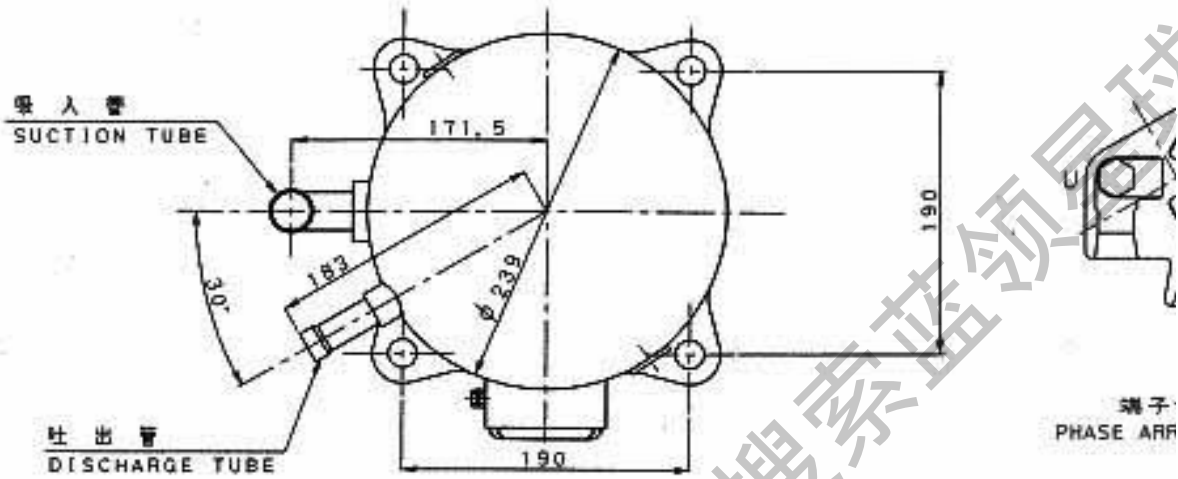
JT90(95)BC(H)BY1L	448.8	280.0	156.4	20.9	282.5	445.0	110.5	102.2	164.2
JT125BCBY1L	462.3	273.0	166.1	20.8	273.0	445.8	120.1	111.7	174.0
JT160BCBY1L	462.3	283.0	166.1	20.8	275.5	459.8	120.1	111.7	174.0
JT90(95)BC(H)BV1L	462.8	274.0	156.4	20.9	276.5	459.0	110.5	102.2	164.2

5. /

用户有更多

4. 7

D 型 :



吸气管	排气管	净重
mm	mm	kg
19.1	9.5	29
19.1	9.5	31.2
19.1	12.7	33.5
19.1	12.7	35.5
22.2	9.5	30
22.2	9.5	33
22.2	9.5	33
25.4	19.1	66
25.4	19.1	67
31.8	19.1	68
31.8	19.1	69



特点:

高性能

- 大金压缩机是一种无余隙（即无冷媒二次膨胀），且运转范围很宽的高效率压缩机。
- 在室外低温制热时，柔性结构压缩机有很强的能力。

低噪音、低震动

- 无吸、排气阀，压缩机吸排气噪音大大降低。
- 通过采用高精度，非接触式涡旋盘，压缩机的噪音性能得到进一步的提高。
- 在空调系统安装时压缩机无须增加隔音盖板、消音棉。
- 由于压缩机的振动小，这样大大提高了管路抗共振、断裂能力。使空调产品的管路设计可简单越好。

小径、长行程

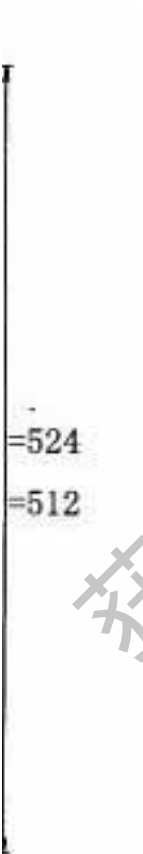
- 因压缩机筒径小、细长，从而为室外机的小型、轻量化提供了最佳选择。
- 为了节约空间位置设计的灵活性，在原有四脚底盘的基础上新增加了三脚底盘的机型。使

高可靠性

件数量少、且可靠性极高。



位置
ARRANGEMENT



获取更多资料 微信搜索蓝领星球



获取更多资料 微信搜索蓝领星球

获取更多资料 微信搜索蓝领星球

型号 Model	额定制冷量		输入功率	电源	运行电容	最大工质 充注量
	NOMINAL		INPUT	POWER	RUN	MAX
	CAPACITY		POWER	SOURCE	CAPACITY	REFRIGERA NT CHARGE
	(W)	(Btu/h)	(W)	(V/Hz)	(μ F)	(g)
QX-17	2840	9690	955	220~/50	30	950
QX-17r	3570	12183	1190	208~230~/60	20	950
QX-18	2950	10065	9900	220~/50	30	950
QX-184	3060	10441	1005	220~/50	30	950
QX-19	3280	11191	1100	220~/50	30	1150
QX-21	3630	12386	1210	220~/50	30	1150
QX-21g	3650	12457	1380	220~/50	30	1150
QX-222	3750	12795	1250	220~/50	30	1150
QX-222g	3750	12795	1530	220~/50	35	1150
QX-23	3930	13409	1310	220~/50	30	1150
QX-23g	3930	13413	1180	220~/50	35	1150
QX-242	4030	13750	1250	220~/50	35	1350
QX-242g	4040	13788	1310	220~/50	35	1350
QX-248	4120	14057	1310	220~/50	35	1350
QX-26	4600	15700	1350	220~/50	35	1350
QX-18r	3650	12457	1220	208~230~/61	20	950
QX-184r	3800	12696	1260	208~230~/62	20	950
QX-19r	3970	13549	1330	208~230~/63	30	1150
QX-21r	4400	45017	1480	208~230~/64	30	1150
QX-23r	4850	16553	1630	208~230~/65	30	1150
QX-D25g	4240	14471	1370	220~/50	40	1350
QX-26r	5580	19044	1880	208~230~/66	30	1150
QX-D28g	4680	15972	1510	220~/50	40	1400
QX-D30g	5020	17133	1630	220~/50	40	1400
QX-D32g	5250	17918	1720	220~/50	40	1400
QX-34g	5700	19795	1830	220~/50	50	1600
QX-36g	6080	20751	1950	220~/50	51	1800
QX-38	6390	21810	2060	220~/50	52	1900
QX-40	6750	23040	2250	220~/50	53	2300
QX-42	7150	24403	2380	220~/50	54	2300
QX-45	7600	25939	2600	220~/50	55	2700

QX-B12	1930	6585	670	220~/50	\	750	开发中
QX-B14	2200	7510	710	220~/50	\	800	开发中
QX-B15	2420	8260	790	220~/50	\	850	开发中
QX-B16	2630	8975	850	220~/50	\	900	开发中
QX-B17	2750	9380	875	220~/50	\	1100	开发中
QX-B18	2900	9895	975	220~/50	\	1100	开发中
QX-B19	3100	10580	1040	220~/50	\	1100	开发中
QX-B20	3250	11090	1085	220~/50	\	1100	开发中

50Hz power supply specifications models

Refrigerant	Out Put	Displacement cm ³ /rev	Power Source			Compressor Code	Compressor Model
	HP		Ph	Hz	V		
R22	8	131.9	3	50	380,415	809 284 88	C-SC583H8
		137	3	50	220,230,240	809 281 85	C-SC603H5
		137	3	50	380,415	809 281 88	C-SC603H8
		137	3	50	380,415	809 283 88	* ¹ C-SC603H8
	9	148.8	3	50	380,415	809 291 88	C-SC673H8
	10	171.2	3	50	220,230,240	809 201 85	C-SC753H5
		171.2	3	50	380,415	809 201 88	C-SC753H8
		171.2	3	50	380,415	809 203 88	* ¹ C-SC753H8
	12	197	3	50	380,415	809 224 88	C-SC863H8
		205.4	3	50	220,230,240	809 221 85	C-SC903H5
		205.4	3	50	380,415	809 221 88	C-SC903H8
		205.4	3	50	380,415	809 223 88	* ¹ C-SC903H8
R407C	8	137	3	50	380,415	809 181 88	C-SCN603H8
		137	3	50	380,415	809 183 88	* ¹ SCN603H8
	10	171.2	3	50	380,415	809 101 88	C-SCN753H8
		171.2	3	50	380,415	809 103 88	* ¹ SCN753H8
	12	205.4	3	50	380,415	809 121 88	C-SCN903H8
		205.4	3	50	380,415	809 123 88	* ¹ SCN903H8

60Hz power supply specifications models

Refrigerant	Out Put	Displacement cm ³ /rev	Power Source			Compressor Code	Compressor Model
	HP		Ph	Hz	V		
R22	8	131.9	3	60	440,460	809 284 88	C-SC583H8
		131.9	3	60	208,230	809 284 86	C-SC583H6
		137	3	60	208,230	809 281 86	C-SC603H6
		137	3	60	208,230	809 283 86	* ¹ C-SC603H6
		137	3	60	440,460	809 281 88	C-SC603H8
		137	3	60	440,460	809 283 88	* ¹ C-SC603H8
	10	137	3	60	380	809 281 89	C-SC603H9
		137	3	60	380	809 283 89	* ¹ C-SC603H9
		171.2	3	60	208,230	809 201 86	C-SC753H6
		171.2	3	60	208,230	809 203 86	* ¹ C-SC753H6
		171.2	3	60	440,460	809 201 88	C-SC753H8
		171.2	3	60	440,460	809 203 88	* ¹ C-SC753H8
R407C	8	171.2	3	60	380	809 201 89	C-SC753H9
		171.2	3	60	380	809 203 89	* ¹ C-SC753H9
	10	137	3	60	440,460	809 181 88	C-SCN603H8
		137	3	60	440,460	809 183 88	* ¹ SCN603H8
		171.2	3	60	440,460	809 101 88	C-SCN753H8
		171.2	3	60	440,460	809 103 88	* ¹ SCN753H8

Japanese power supply specifications models

Refrigerant	Out Put	Displacement	Power Source			Compressor Code		Compressor Model
			HP	cm ³ /rev	Ph			
R22	8	137	3	50/60	200/200,220	809 280 83	* ²	-SC603H3
	10	171.2	3	50/60	200/200,220	809 200 83	* ²	-SC753H3
	12	205.4	3	50	200	809 220 83	* ²	-SC763H3
R407C	8	137	3	50/60	200/200,220	809 180 83	* ²	-SCN603H3
	10	171.2	3	50/60	200/200,220	809 100 83	* ²	-SCN753H3
	12	205.4	3	50	200	809 120 83	* ²	-SCN763H3

Available in 2006

*1 The connection port of oil balance tube is attached to this model.

*2 The connection port of oil level sensor is attached to this model.

*3 Starting capacitor is necessary for this model.

RATING CONDITION

		R22/R410	R407C
Condensing	°C/°F	54.4/130	54.4/130
Evaporating	°C/°F	7.2/45	7.2/45
Liquid Temp	°C/°F	46.1/115	43.8/111
Return Gas	°C/°F	18.3/65	18.3/65

* Condensing/Evaporating Temperature of R407C are mid point temperature.

28 JUL, 2005

获取更多资料 微信搜索 蓝领星球

Nominal Capacity	
50Hz	50Hz
kW	x1000 BTU/h
23.2	79.2
24.3	83
24.3	83
24.3	83
26.2	89.5
30.7	104.8
30.7	104.8
30.7	104.8
35.2	120.2
36	122.9
36	122.9
36	122.9
24.3	83
24.3	83
30	102.4
30	102.4
34.8	118.8
34.8	118.8

Nominal Capacity	
60Hz	60Hz
kW	x1000 BTU/h
27.9	95.3
27.9	95.3
30.5	104.1
30.5	104.1
29.6	101.1
29.6	101.1
30.5	104.1
30.5	104.1
37.8	129.1
37.8	129.1
37.2	127
37.2	127
37.8	129.1
37.8	129.1
29.1	99.4
29.1	99.4
36.2	123.6
36.2	123.6

微信搜索 蓝领星球

更多资料

Nominal Capacity	
50Hz	60Hz
kW	kW
24.5	29.1
30.9	36.2
36.3	-
24.5	28.8
30.7	35.9
36	-

获取更多资料 微信搜索蓝领星球

Model	Displacement	Normal Output		Cooling Capacity			Weight	Electric Power source
	cc./rev.	Kw	Hp	Kcal/h	BTU/h	Watts		
RS186	18.6	0.86	1.15	2,778	10,987	3,222	15.3	V
RS198	19.8	0.9	1.21	2,960	11,710	3,434	15.3	V
RS208	20.8	1.01	1.35	3,117	12,331	3,616	15.3	V
RS221	22.1	1.03	1.38	3,295	13,071	3,830	15.3	V
RS232	23.2	1.1	1.48	3,467	13,752	4,030	15.3	V

Model	Displacement	Cly	Normal Output		Cooling Capacity			Weight Kg
	cc./rev.		Kw	Kcal/h	BTU/h	Watts		
RHV154	15.4	1	0.75	1.01	1,350	3,060	4,970	13.7
RHV207	20.7	1	1	1.34	1,910	4,210	6,620	14.4
KHV104	10.4	1	0.55	0.73	875	2,095	3,250	9.1
SHV130	13	2	0.65	0.87	1,120	2,540	4,170	10.2
THV310	31	2	1.3	1.74	2,945	6,480	10,368	18

三菱压缩机参数:

压缩机型号	制冷量	COP	高效	适用冷媒			运行电容	电源规格
				R22	R407C	R410A		
KH122	2,020	2.93		●			17 μF	220-240V/50HZ
KH134	2,260	2.93		●			17 μF	220-240V/50HZ
KH145	2,440	2.94		●			20 μF	220-240V/50HZ
KS154	2,613	3.13	●	●			25 μF	220-240V/50HZ
KS165	2,810	3.11	●	●			25 μF	220-240V/50HZ
KS169	2,899	3.02	●	●			25 μF	220-240V/50HZ
KS173	2,939	3.04	●	●			25 μF	220-240V/50HZ
RH135	2,280	3.04		●			25 μF	220-240V/50HZ
RH145	2,450	3.02		●			25 μF	220-240V/50HZ
RH154	2,670	3.05		●			25 μF	220-240V/50HZ
RH165	2,810	3.09		●			25 μF	220-240V/50HZ
RH174	2,970	3.09		●			25 μF	220-240V/50HZ
RH247	4,290	3.09	●	●			35 μF	220-240V/50HZ
RH277	4,830	3.1	●	●			40 μF	220-240V/50HZ
RS186	3,250	3.16	●	●			30 μF	220-240V/50HZ
RS198	3,460	3.17	●	●			30 μF	220-240V/50HZ
RS208	3,650	3.17	●	●			30 μF	220-240V/50HZ

RS221	3,850	3.18	●	●			30 μF	220- 240V/50HZ
RS232	4,000	3.17	●	●			30 μF	220- 240V/50HZ
TS31	5,300	3.21	●	●			50 μF	220- 240V/50HZ
TS32	5,470	3.22	●	●			50 μF	220- 240V/50HZ
TS33	5,790	3.22	●	●			50 μF	220- 240V/50HZ
TS35	6,090	3.17	●	●			50 μF	220- 240V/50HZ
TS36	6,240	3.17	●	●			50 μF	220- 240V/50HZ
LH42V	7,500	3.19	●	●			60 μF	220- 240V/50HZ
LH45V	8,000	3.2	●	●			60 μF	220- 240V/50HZ
LH48V	8,550	3.21	●	●			60 μF	220- 240V/50HZ
LH53V	9,400	3.16	●	●			60 μF	220- 240V/50HZ
LH42Y	7,400	3.13	●	●				380V/50HZ
LH48Y	8,500	3.27	●	●				380V/50HZ
LH53Y	9,350	3.19	●	●				380V/50HZ
RE135	2,270	3.03			●		25 μF	220- 240V/50HZ
RE165	2,770	3.08			●		25 μF	220- 240V/50HZ
RE174	2,920	3.07			●		25 μF	220- 240V/50HZ
RE220	3,840	3.09			●		30 μF	220- 240V/50HZ
RE231	3,940	3.05			●		30 μF	220- 240V/50HZ
TE310	5,230	3.08			●		50 μF	220- 240V/50HZ
TE338	5,720	3.09			●		50 μF	220- 240V/50HZ
TE365	6,117	3.09			●		50 μF	220- 240V/50HZ
LE48	8,620	3.21			●		60 μF	220- 240V/50HZ
KN092	2,280	2.84				●	25 μF	220- 240V/50HZ
KN104	2,580	2.9				●	25 μF	220- 240V/50HZ
RN110	2,700	2.94				●	30 μF	220- 240V/50HZ
RN125	3,070	2.93				●	30 μF	220- 240V/50HZ
RN130	3,200	2.91				●	30 μF	220- 240V/50HZ
RN135	3,290	2.94				●	30 μF	220- 240V/50HZ
RN140	3,440	2.92				●	30 μF	220- 240V/50HZ

RN145	3,610	2.95					●	30 μF	220-240V/50HZ
RN154	3,800	2.9					●	30 μF	220-240V/50HZ
RN165	4,100	2.93					●	30 μF	220-240V/50HZ
RN196	4,800	2.86					●	40 μF	220-240V/50HZ
TN220	5,430	2.92					●	50 μF	220-240V/50HZ

Model	Displacement	Normal Output		Cooling Capacity			Weight	Electric Power source	Refrigerant
	cc./rev.	Kw	Hp	Kcal/h	BTU/h	Watts			
RE165	16.5	0.80	1.07	2,383	9,453	2,770	13.2	V	R407C
RE174	17.3	0.80	1.07	2,512	9,965	2,920	13.2	V	R407C
RE231	23.1	1.10	1.48	3,389	13,444	3,940	14.6	V	R407C
TE310	31.0	1.30	1.74	4,500	17,852	5,230	18.3	V	R407C
TE338	33.8	1.50	2.01	4,920	19,528	5,720	18.5	V	R407C

Model	Displacement	Normal Output	Cooling Capacity			Weight	Frequency Range		
	cc./rev.		Cly	Kcal/h	BTU/h			Watts	Kg
RHV154	15.4	1	0.75	1.01	1,350	3,060	4,970	13.7	30~130
RHV207	20.7	1	1.00	1.34	1,910	4,210	6,620	14.4	30~130
KHV104	10.4	1	0.55	0.73	875	2,095	3,250	9.1	30~130
SHV130	13.0	2	0.65	0.87	1,120	2,540	4,170	10.2	10~140
THV310	31.0	2	1.30	1.74	2,945	6,480	10,368	18.0	10~120

Model	Displacement	Normal Output		Cooling Capacity			Weight	Electric Power source	Refrigerant
	cc./rev.	Kw	Hp	Kcal/h	BTU/h	Watts			
RS186	18.6	0.86	1.15	2,778	10,987	3,222	15.3	V	R22
RS198	19.8	0.90	1.21	2,960	11,710	3,434	15.3	V	R22
RS208	20.8	1.01	1.35	3,117	12,331	3,616	15.3	V	R22
RS221	22.1	1.03	1.38	3,295	13,071	3,830	15.3	V	R22
RS232	23.2	1.10	1.48	3,467	13,752	4,030	15.3	V	R22

Model	Displacement	Normal Input	Cooling capacity			weight	Electric Power	Refrigerant	
	cc./rev.		Cly.	Kcal/h	BTU/h				Watts
LH42	42.8	2	2.35	6,490	25,760	7,550	26.2	V,(Y)	R22
LH45	45.4	2	2.50	6,880	27,300	8,000	26.2	V,(Y)	R22
LH48	48.5	2	2.66	7,350	29,180	8,550	26.7	V,Y	R22
LH53	53.7	2	3.05	8,170	32,420	9,500	26.7	V,Y	R22

Model	Displacement	Normal Output		Cooling Capacity			Weight	Electric Power source	Refrigerant
	cc./rev.	Kw	Hp	Kcal/h	BTU/h	Watts			
KH122	12.2	0.60	0.80	1,737	6,888	2,020	9.2	R.W.S.V.T	R22

KH134	13.4	0.65	0.87	1,943	7,706	2,260	9.2	R.S.V.T	R22
KH145	14.5	0.70	0.94	2,098	8,320	2,440	9.5	V	R22
TH310	31.0	1.30	1.73	4,523	17,936	5,260	18.5	V	R22
TH338	33.8	1.50	2.00	4,979	19,743	5,790	18.5	V	R22
TH365	36.5	1.60	2.14	5,443	21,585	6,330	20.5	V	R22

Model	Displacement cc./rev.	Normal Output		Cooling Capacity			Weight Kg	Electric Power source	Refrigerant
		Kw	Hp	Kcal/h	BTU/h	Watts			
RE165	16.5	0.80	1.07	2,383	9,453	2,770	13.2	V	R407C
RE174	17.3	0.80	1.07	2,512	9,965	2,920	13.2	V	R407C
RE231	23.1	1.10	1.48	3,389	13,444	3,940	14.6	V	R407C
TE310	31.0	1.30	1.74	4,500	17,852	5,230	18.3	V	R407C
TE338	33.8	1.50	2.01	4,920	19,528	5,720	18.5	V	R407C

Model	Displacement cc./rev.	Cly	Normal Output		Cooling Capacity			Weight Kg	Frequency Range Hz
			Kw		Kcal/h	BTU/h	Watts		
RHV154	15.4	1	0.75	1.01	1,350	3,060	4,970	13.7	30~130
RHV207	20.7	1	1.00	1.34	1,910	4,210	6,620	14.4	30~130
KHV104	10.4	1	0.55	0.73	875	2,095	3,250	9.1	30~130
SHV130	13.0	2	0.65	0.87	1,120	2,540	4,170	10.2	10~140
THV310	31.0	2	1.30	1.74	2,945	6,480	10,368	18.0	10~120

获取更多资料

微信搜索

全球

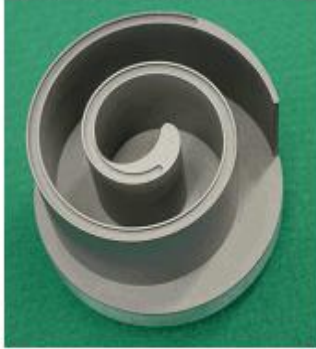
Refrigerant
R22
R22
R22
R22
R22

Frequency Range Hz
30~130
30~130
30~130
10~140
10~120

三次元スクロール

Three Dimensional Scroll 3

現行スクロール (Current Scroll)



三次元スクロール (3D Scroll)



三次元スクロールは段差部を有し、内側と外側で歯の高さが異なる。
 3D Scroll has steps and inner scroll height is different from outer height.

获取更多资料 微信搜索 蓝领星球

获取更多资料 微信搜索蓝领星球

获取更多资料 微信搜索蓝领星球

获取更多资料 微信搜索蓝领星球