

# **SIDE BY SIDE**

## CARE AND USE INFORMATION



# CARE AND USE – CONTENTS

<b>INTRODUCTION</b> .....	3
<b>PARTS OF YOUR REFRIGERATOR</b>	
Standard models .....	4
Ice and water models .....	4
<b>GENERAL INSTALLATION</b>	
Clearances around your refrigerator .....	5
Installation .....	5
Adjusting door alignment .....	6
Internal Packaging .....	7
Ice and water models .....	7
<b>INITIAL START UP</b>	
Refrigerator / Freezer operation .....	8
Ice maker start up .....	8
<b>USING YOUR REFRIGERATOR</b>	
Electronic Display Panel .....	9
Adjusting Temperature .....	9
Turning the clock on and off .....	11
Setting the clock .....	11
Quick freeze function .....	12
Holiday mode .....	12
Door alarm .....	12
Freezer Temperature Alarm .....	13
Drinks chill timer .....	13
Other electronic features / Temperature troubleshooting .....	15
Food compartment features .....	16
Door storage bins .....	16
Dairy compartment .....	16
Store Safe .....	16
Crisper bins .....	16
Slide Out Glass shelves .....	16
<b>AUTOMATIC ICE AND WATER DISPENSER</b>	
Ice and water dispenser features .....	17
Dispenser light .....	17
How the water dispenser works .....	17
How the ice dispenser works .....	17
Ice dispenser tips .....	18
Cleaning the ice dispenser .....	18
<b>CHANGING THE WATER FILTER</b>	
When to change the filter .....	19
To change the filter .....	19
<b>CHANGING THE LIGHT BULB</b>	
Food compartment light bulb .....	20
Freezer compartment light bulb .....	20
Ice dispenser light bulb .....	20
<b>CLEANING</b> .....	21
<b>HELPFUL HINTS</b> .....	21
<b>FOOD STORAGE GUIDE</b> .....	24

All rights in this publication are reserved and no part may be reproduced without the prior written permission of Electrolux Home Products Pty Ltd (“Electrolux”). The contents of this publication are believed to be correct at the time of publication but any information, products or services mentioned may be modified, supplemented or withdrawn at any time. Due to its’ policy of continuous product development and improvement Electrolux reserves the right in its’ sole discretion to change products specification and materials without notice.

# INTRODUCTION

Dear Customer,  
**Congratulations on the purchase of your new refrigerator.**

Follow the instructions below to ensure that you install your refrigerator safely and that it runs efficiently.

**Important :-** Before you install your refrigerator PLEASE INSPECT YOUR NEW APPLIANCE. If you consider these goods have been supplied to you damaged, please contact your authorised dealer as soon as possible. Failure to do so may affect your claim under the manufacturer's warranty. Please refer to the enclosed Electrolux Warranty for further information.

## STOP & READ

### The power point

#### DO

- Ensure that your power points are earthed. Ask an electrician to check if you are not sure.
- Check the refrigerator cord can reach the power point.



#### DON'T

- Don't plug your refrigerator into an extension cord or double adaptor.
- Don't plug your refrigerator into a timer fitted to the power point.



### Location

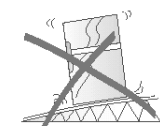
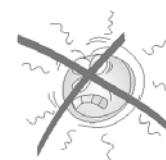
#### DO

- Choose a location that is not too cold - the ambient temperature should be above 10°C.
- Put the refrigerator in a dry place avoiding areas of high moisture or humidity.



#### DON'T

- Don't put the refrigerator in frosty or unprotected areas, for example in a garage or on a veranda.
- Don't put the refrigerator in direct sunlight.
- Don't put the refrigerator near stoves, fires or heaters.
- Don't put the refrigerator on an uneven surface.

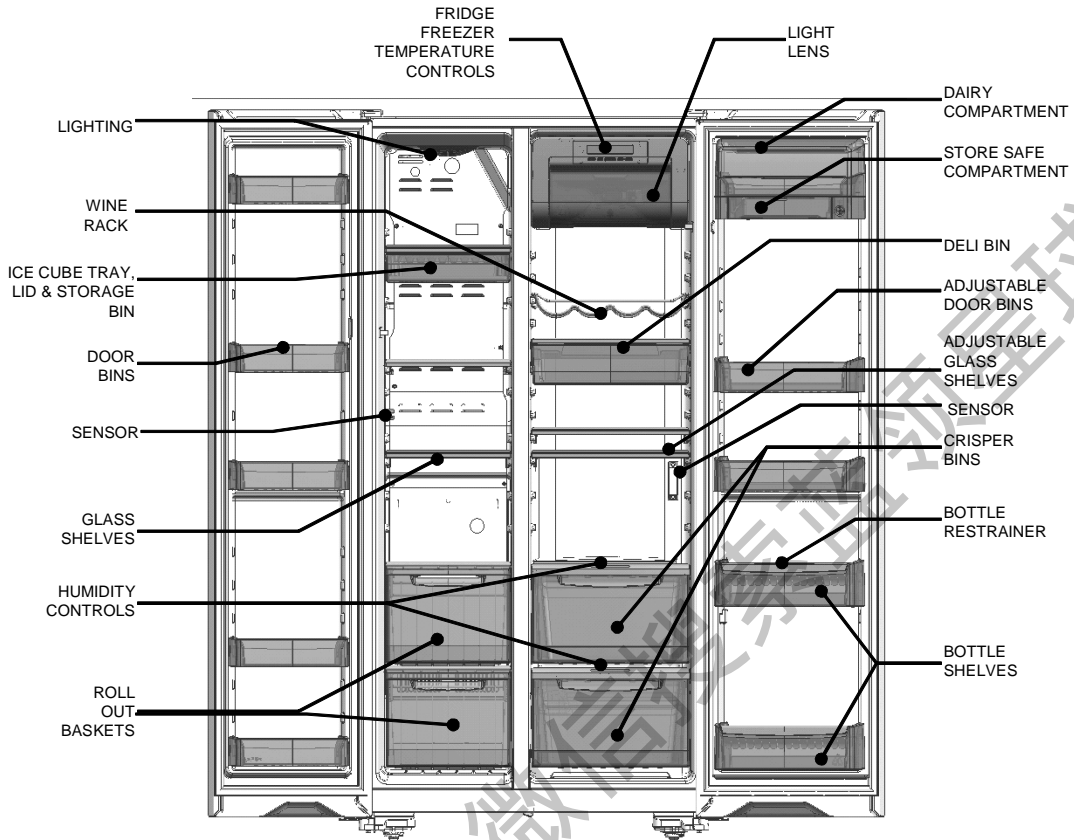


# PARTS OF YOUR REFRIGERATOR

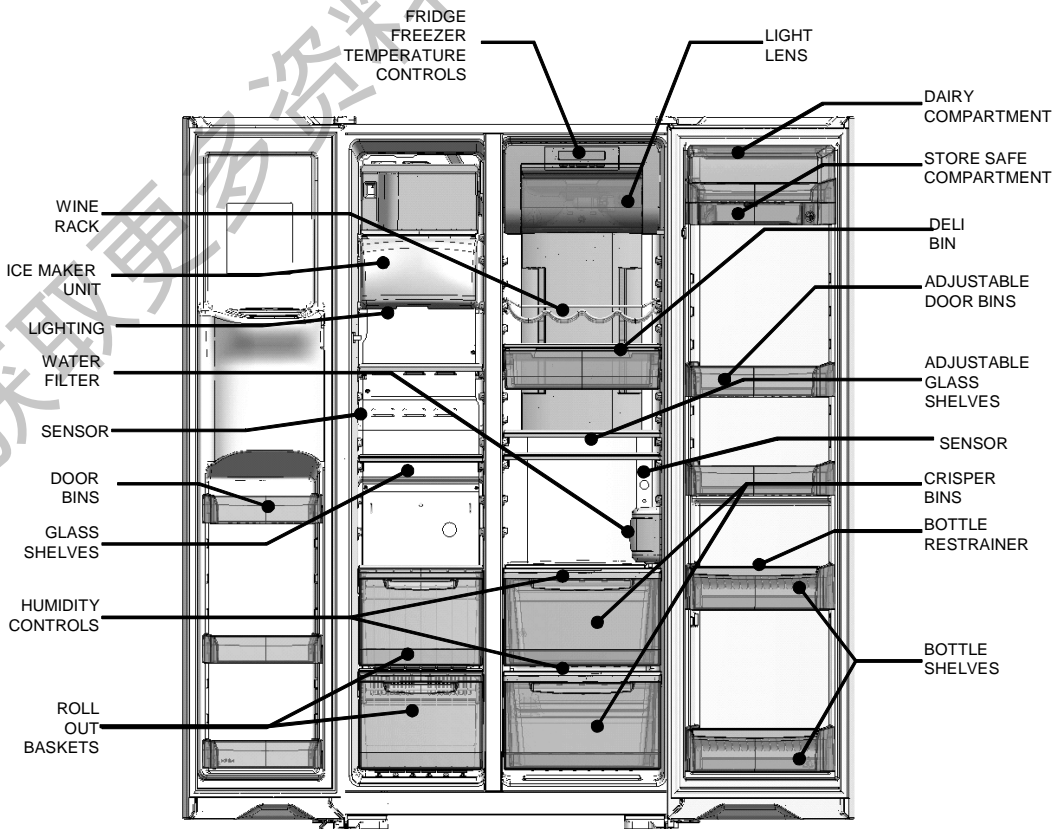
## The parts of your refrigerator

Please look at the diagrams below before reading about how to care for your refrigerator.

### Standard Model



### Icemaker Model



# GENERAL INSTALLATION

When correctly installed, your refrigerator should:

- Have adequate clearance to the back, sides and top.
- Be aligned to the surrounding cupboards.
- Have doors that will self close from a partially open position.

## Clearances around your refrigerator

Your Side by Side Refrigerator can be installed between cupboards or fixtures but you must allow for the following spaces around the cabinet.

- Allow a **minimum** of 0.5 centimetre clearance on both sides (see Diagram 1).
- Allow a minimum of 1 centimetre clearance above hinge covers. (see Diagram 1).
- Allow a 2 centimetre clearance at the back of the refrigerator (see Diagram 1).
- Allow a 25 to 30 centimetre clearance on the hinge side of the doors, if you place the refrigerator next to the wall. This will make cleaning easier (see Diagram 2).

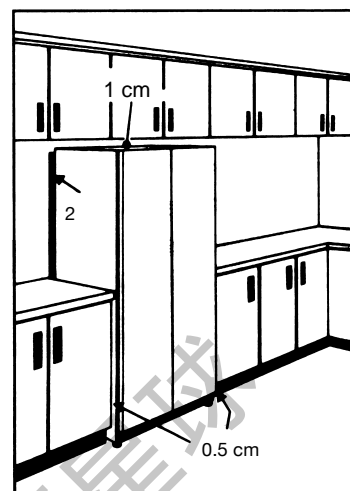


Diagram 1

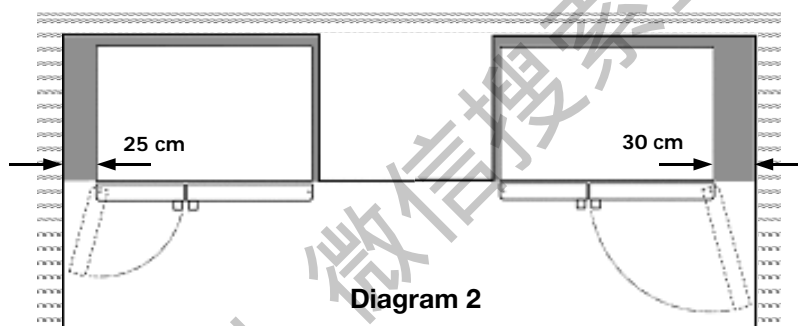


Diagram 2

- Make sure that cupboards or fixtures do not stick out further than the refrigerator cabinet (see Diagram 2).

## Installation

The refrigerator should arrive with the front rollers wound down to tilt the top of the refrigerator backwards by about 10-15 millimetres (see Diagram 3).

When you want to install your refrigerator, take the following steps.

1. Roll the refrigerator into its final position.



**WARNING: The rollers are designed for forward or backward movement only. They are not castors. Moving the refrigerator sideways may damage your floor, and the rollers.**

2. It is recommended that the top of the refrigerator be tilted back by approximately 10-15mm. This will allow the doors to self close providing a consistent door seal (see diagram 3).
3. If the refrigerator is not tilted back you can adjust the two front rollers by adjusting the large plastic roller nut (see diagram 6 on page 6). You may need two people, one to adjust rollers and one to tilt the refrigerator slightly back. This will increase or decrease the height of the rollers. One turn of the nut will change the tilt of the refrigerator by approximately 10mm.

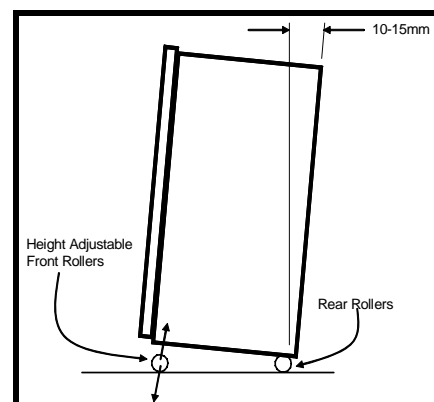
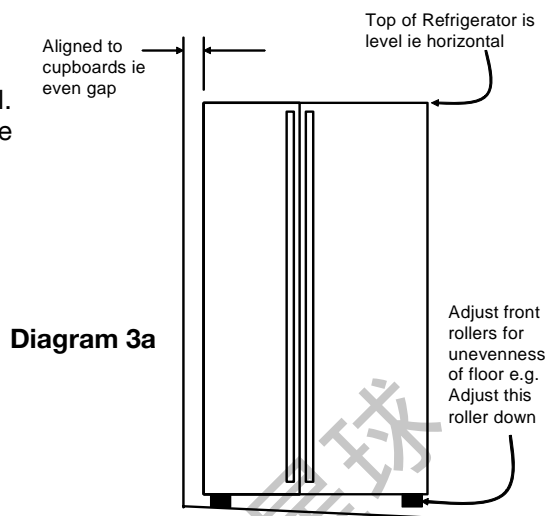


Diagram 3

# GENERAL INSTALLATION

## (Installation continued)

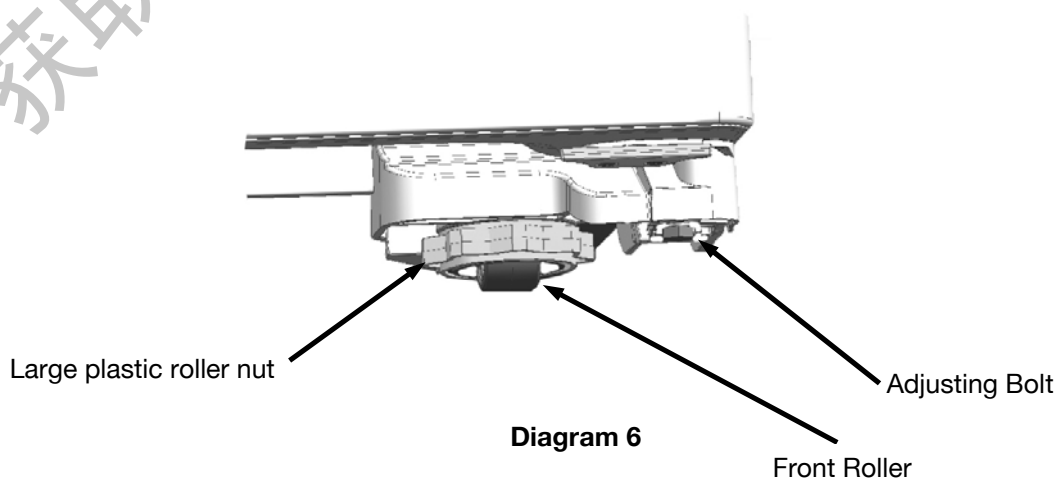
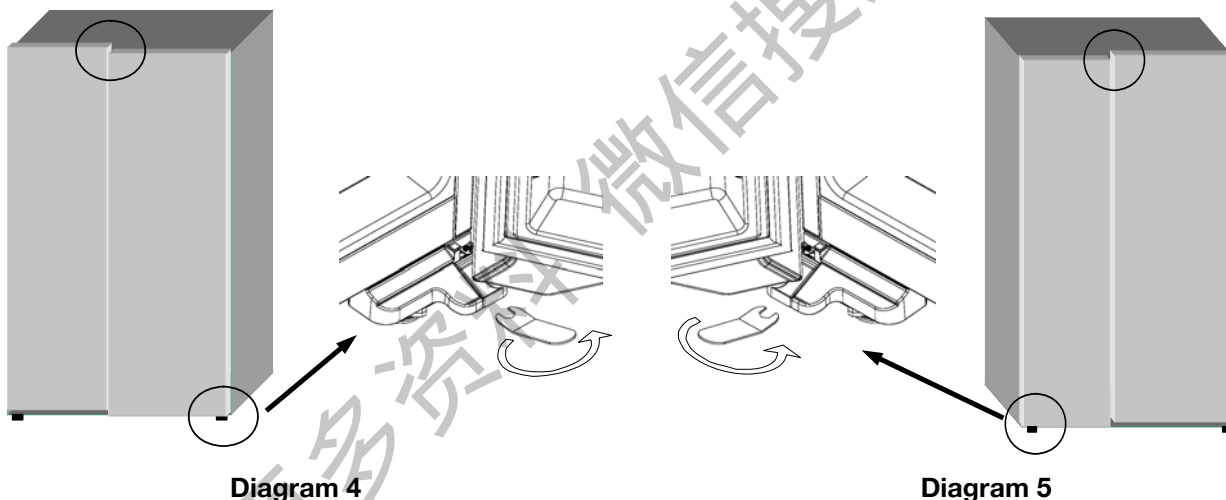
4. If the cabinet is level, then the side walls should be plumb or vertical. If the cabinet is built in or partly built in check the alignment of the cabinet side against the cupboard. (see diagram 3a)



## Adjusting door alignment

1. Each door is independently adjustable in the vertical direction by adjusting the adjusting bolts under the hinges (see Diagram 6). The doors can be adjusted up or down. Depending on the amount of adjustment required it may be sufficient to adjust only one door (see Diagrams 4,5).

**Note:** When the height of the rollers and adjusting bolts are correctly adjusted the refrigerator will stand firmly on the floor and the doors will be in line with one another.



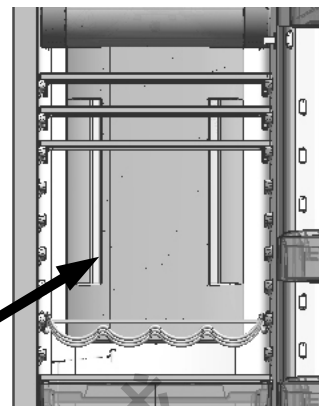
# GENERAL INSTALLATION

## Internal Packaging

Please remove any internal packing material before use.

For WSE6070W and WSE6070S models there is a sheet of protective film attached to the multiflow duct at the rear of the refrigerator section, please remove this prior to operation as it may obstruct airflow.

Multiflow Duct



## Ice and Water Models

Water connection to your ice and water product should only be done by a licensed refrigeration mechanic, plumber or electrician. All relevant information regarding the water connection is detailed in the water kit provided with your product for use by the professional installer only.

The automatic ice and water dispenser needs a drinkable water supply with a pressure of

- Minimum 206 kPa (30 psi, 2.11 kgf/cm<sup>2</sup>)
- Maximum 689 kPa (100 psi, 7.04 kgf/cm<sup>2</sup>)

In some areas local water pressure is significantly higher due to local conditions. In such areas a pressure reducing valve must be used. Ensure your plumber or installer checks your local water pressure when installing your refrigerator.

**If you are using your refrigerator for the first time, or if you have not used the dispenser for some time:**

- Discard the first seven or eight cups of water.
- Discard any ice that the ice maker produces in the first 24 hours (contaminants could have settled in the water pipes).

(see pages 8 & 16 for more information)

# INITIAL START-UP

## Refrigerator/freezer operation

**It is normal for the rear and sides of the refrigerator to feel warm.**

These areas are warm because the refrigerator transfers heat from food placed inside the refrigerator to the outside air.

There is a cooling coil located behind the rear wall of the freezer section. This coil cools and removes moisture from the air. A fan at the rear of the freezer section then circulates cold, dry air throughout the refrigerator.

This air circulation means that foods are refrigerated far more quickly than in refrigerators where there is less air circulation.

**Avoid placing food against air outlets as this will affect air circulation.**

A light frosting will occasionally appear on the interior of the freezer if the freezer door is opened frequently. This is normal and will disappear after a few days in most climates.

Make sure you fully close the freezer and fresh food doors after you load or remove food from these compartments. If the doors are left partly open, a heavy frost will coat the inside of the freezer. If a frost develops, remove it. Take care to properly close the doors and the frost will not reoccur.

Your new energy efficient refrigerator uses a high-speed compressor and other efficient components that may produce different noises to your old refrigerator. These sounds are normal and include:

- compressor running noise.
- air movement noise from the small fan motor.
- occasional gurgling, similar to water boiling.
- a popping noise, heard during defrosting.
- a clicking noise, just prior to the compressor starting up.

These noises are normal and are no cause for alarm.

Further details can be found on page 27.

## Ice maker start-up

If the ice maker is not connected to a water supply, check that the ice maker is turned off. To do this put the I/O switch in the "O" (OFF) position (see Diagram 7).

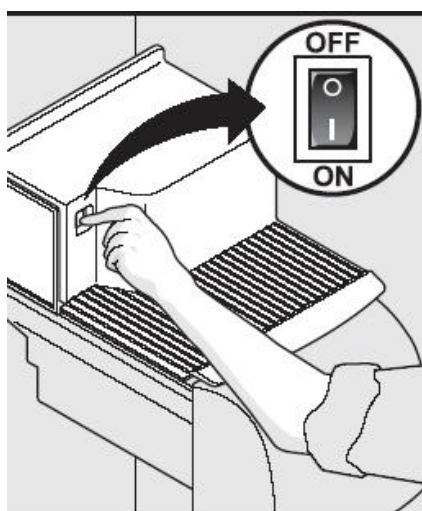


Diagram 7

If the ice maker is connected to a water supply, check that the ice maker is turned on. To do this put the I/O switch in the "I" (ON) position (see Diagram 7).



# USING YOUR REFRIGERATOR

## Electronic Display Panel

The electronic display panel is located at the top rear of the food storage compartment. It consists of an LCD display with blue lighting and 7 push buttons. When the power is first turned on, you will see the default settings shown in Diagram 8 below, with the blue backlighting on.

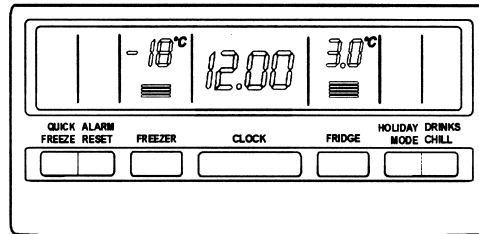


Diagram 8

## Adjusting temperatures

The default temperature for the refrigerator is 3°C, with a default of -18°C for the freezer. If you want to change the temperatures, use the instructions below. You should make only small adjustments and wait 24 hours to see whether you need to make further changes.

**Note:** The set temperature is an average temperature for the whole refrigerator cabinet. Temperatures inside each compartment may vary, depending on how much food you store and where you place it. High or low room temperature may also affect the actual temperature inside the refrigerator.

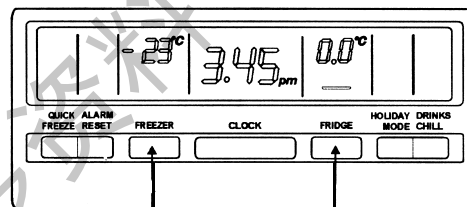


Diagram 9

### Changing the freezer temperature

Press the freezer button to make the freezer colder in 1°C steps. Once -23°C is reached the display will return to -14°C with the next button press. You'll notice that the bar graph gets smaller with colder freezer settings. If you set -14°C, the bar graph will flash continuously to warn that it is not cold enough for long-term storage of frozen food.

### Changing the refrigerator temperature

Press the fridge button to make the fridge colder in 1°C steps. Once 0.0°C is reached the display will return to 7.0°C with the next button press. The bar graph gets smaller with colder settings.

**Note:** Testing ice cream is a good way to check the freezer temperature. Testing drinking water is a good way to check the refrigerator compartment temperature.

# USING YOUR REFRIGERATOR

## Turning the clock on and off

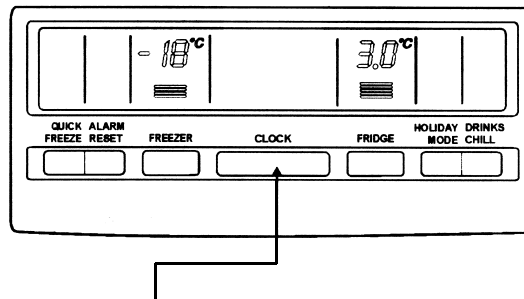


Diagram 14

Press the clock button to turn the clock display on or off (see Diagram 14).

**Note:** The time still advances while the display is off.

## Setting the clock

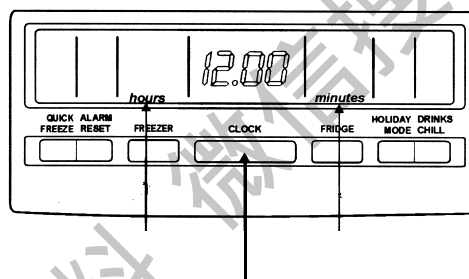


Diagram 15

1. Press and hold the clock button down for two seconds. Hours and minutes will then appear on the display as shown in Diagram 15.

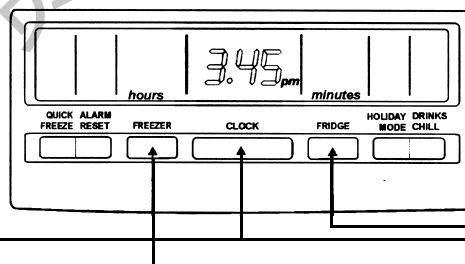


Diagram 16

2. While holding down the clock button, press the freezer button to advance the hours. (Hold the freezer button down for continuous and fast advance). After the first 12 hours the PM indicator will appear.

3. While holding down the clock button, press the fridge button to advance the minutes. (Hold the fridge button down for continuous and fast advance).

4. When the correct time is displayed, release the clock button.

# USING YOUR REFRIGERATOR

## Quick freeze function

Use the quick-freeze function when you add a large amount of food to the freezer compartment. This freezes the food

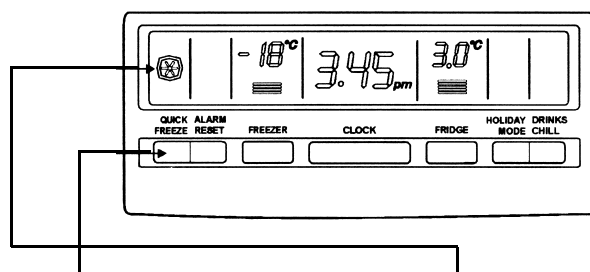


Diagram 17

To use this function, press the quick freeze button once. An animated icon above the button will light up. The quick freeze function will now operate for 90 minutes. If you want to turn the quick freeze function off before 90 minutes have passed, simply press the quick freeze button again. The icon will disappear and the refrigerator will return to normal operation.

## Holiday mode

Use the holiday mode when you go on holidays or leave the house for long periods. In holiday mode the refrigerator minimizes defrosting to save energy but maintains your temperature settings.

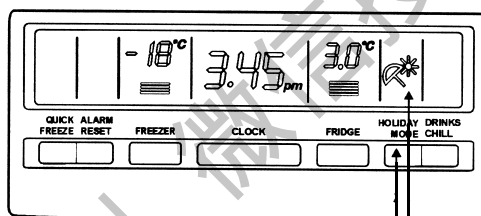


Diagram 18

To put the refrigerator into holiday mode, press the holiday mode button once. An animated icon above the button will light up. The holiday mode will now operate until the button is pressed again or the refrigerator door is reopened.

## Door alarm

If the refrigerator door is left open for longer than 2 minutes a buzzer will sound and the icon above the alarm reset button will flash. The refrigerator temperature settings and bar graph will also flash.

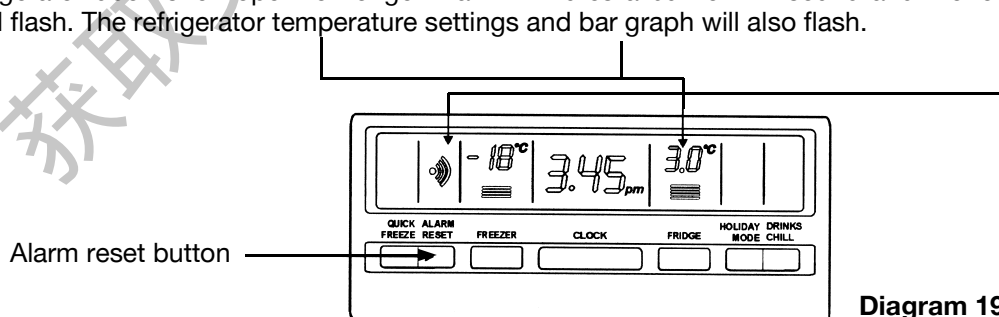


Diagram 19

If the alarm is sounding for no apparent reason, check whether anything is holding the door open. Closing the door resets the alarm for a further 2 minutes. If you want to leave the door open while you load the fridge, you can turn the alarm off for 8 minutes by pressing the alarm reset button.

# USING YOUR REFRIGERATOR

## Freezer temperature alarm

If the freezer becomes too warm, the freezer door has been left open or warm food has been placed too close to the temperature sensor in the freezer (see page 4, 'Parts of your refrigerator' for the sensor locations). A buzzer will sound and the icon above the Alarm Reset button, the freezer set temperature and the bar graph will flash until the alarm reset

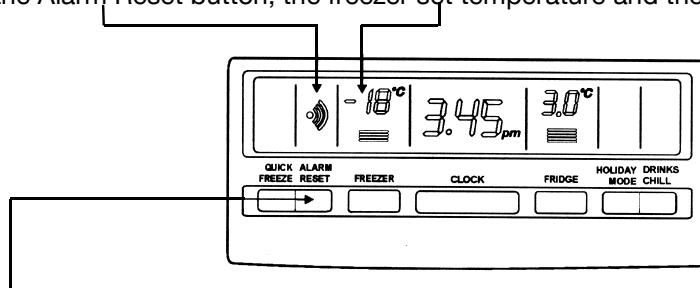


Diagram 20

Press the alarm reset button to stop the alarm (the freezer temperature setting and bar graph will flash for 15 minutes). Make sure nothing is holding the freezer door open and move any warm food away from the temperature sensor (page 4). If the freezer is still too warm the alarm will sound again in 50 minutes, indicating that something may be wrong with your refrigerator.

## Drinks chill timer

If you set the drinks chill timer it will sound an alarm to remind you that you have left drinks in your freezer for quick chilling.

Suggested chilling times:

- 10 minutes for cans of drink.
- 20 minutes for bottles of wine.
- 30 minutes for bottles of soft drink.

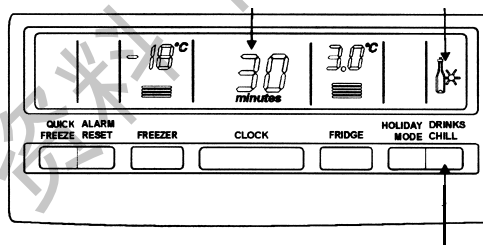


Diagram 21

To use the timer, press the drinks chill button (see Diagram 21). An animated icon appears above the drinks chill button and the clock display is replaced by the countdown timer. Press the button once to set a 10 minute time limit, twice for 20 minutes and three times for 30 minutes. Press four times to turn the timer off. The timer will count down in 1 minute increments; you can change the time or turn the timer off even after the countdown has started. When the countdown has finished a buzzer will sound and the icon above the alarm will flash until the alarm reset button is pressed (see Diagram 22).

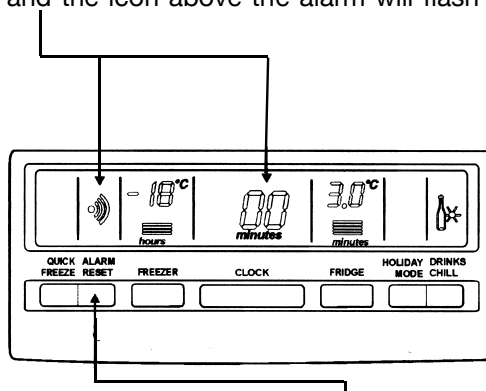


Diagram 22

To stop the alarm and turn off the drinks chill timer, press the Alarm Reset button. If your drink is chilled, take it out of the freezer. If it is not cold enough, reset the drink chill function (remembering that the drink is already partially chilled).

# USING YOUR REFRIGERATOR

## Other electronic features

Your refrigerator:

- controls the compressor and fan independently to provide the best performance.
- provides extra cooling depending on the number of door openings.
- automatically defrosts during periods when the door is not being opened frequently.
- has a 90 second memory backup on the display so that the time and settings are not lost during short power interruptions, and
- has blue feature lighting activated by opening the refrigerator door (Ice and Water models only)

**Note:** If you find that the display malfunctions, this may be due to brief power supply interruptions. If this is the problem, you simply need to turn the refrigerator off at the power point and wait 5 minutes for the refrigerator pressure to equalize. Then turn the refrigerator on again at the power point.

获取更多资料 微信搜索蓝领星球

# USING YOUR REFRIGERATOR

## Temperature Trouble Shooting

1. Do not store plates, trays or any object extending beyond the back edge of your shelves. This can block the cold air flow causing uneven temperatures in your refrigerator and freezing on the top shelf.

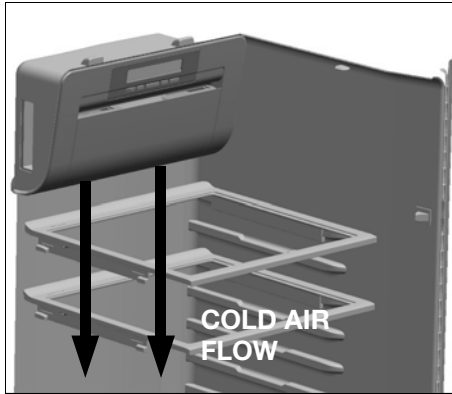


Diagram 10

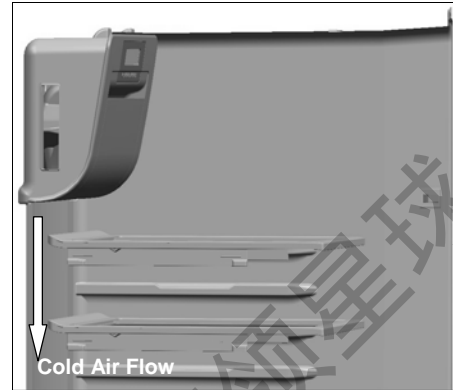


Diagram 11

2. Avoid loading food against your freezer temperature sensor. Doing so may adversely affect freezer temperatures. If warm food is inadvertently loaded against the sensor, it may also set off the freezer temperature alarm up to 50 minutes after the food is loaded against the sensor.

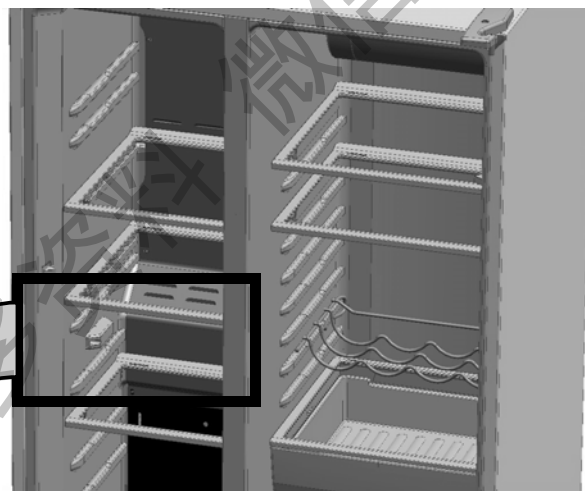


Diagram 12

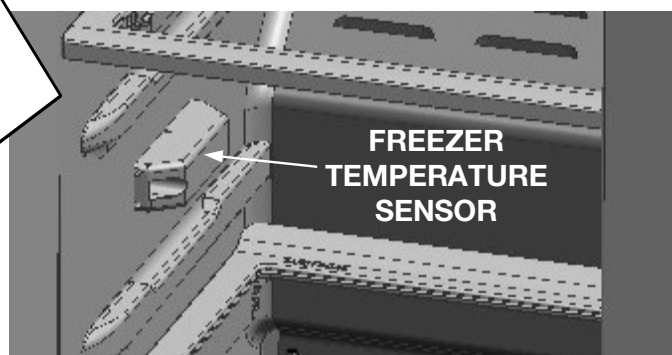


Diagram 13

# USING YOUR REFRIGERATOR

## Food compartment features

### DOOR STORAGE BINS

Both the refrigerator and freezer have door storage bins. You can adjust the refrigerator door bins to meet different storage needs. All the door bins are completely removable for cleaning. If you want to remove or adjust a bin, lift it over the support lugs on the inner door panel. Push the bin down over the support lugs to lock it in place. (See Diagram 23).

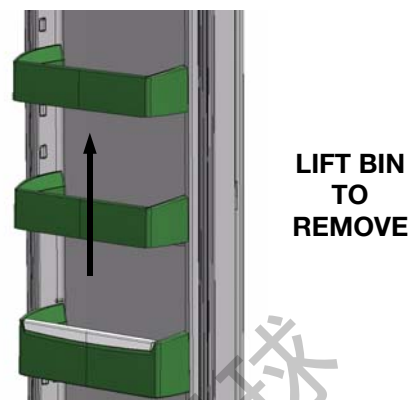


Diagram 23

### DAIRY COMPARTMENT

You can use the dairy compartment to store foods such as butter, margarine and cheese. The compartment is slightly warmer than the rest of the refrigerator compartment.

### STORE SAFE

Store safe is a coin lockable compartment (see Diagram 24). To lock, rotate the coin slot anti-clockwise until the slot is horizontal. To unlock, turn the coin slot clockwise until vertical.

To open the drawer, push the tab down with your thumb and pull the drawer forward.

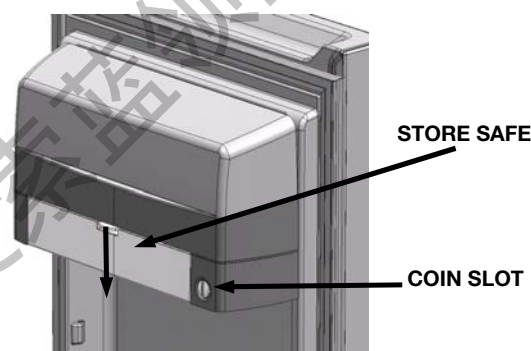


Diagram 24

### CRISPER BIN(S)

You can use the crisper bin to store vegetables, fruit or small goods. You can change the humidity inside the bin by adjusting the humidity slide control (see Diagram 25).

#### Storing Vegetables

You should store vegetables in the crisper bin remembering to set the humidity slide control to the vegetable indicator.

#### Storing Fruit and Small Goods

You can also store fruit and small goods in the crisper bin remembering to set the humidity control to the fruit indicator.

#### Crisper Bin Removal

Remove crisper bin(s) by pulling forward to stop, lifting up and then pulling further forward.



Diagram 25

### SLIDE OUT GLASS SHELVES

To make access to your food easier, both the refrigerator and freezer compartments are fitted with glass shelves. Follow this simple process to remove the shelves (see Diagram 26).

1. Gently pull the shelf forward until the shelf comes to a stop.
2. Lift shelf slightly to clear the stop.
3. Continue pulling the shelf forward.

To return the shelf, make sure there is nothing behind the shelf that may obstruct it, and gently push the shelf into the cabinet. It should slide back over the stops and sit into place.

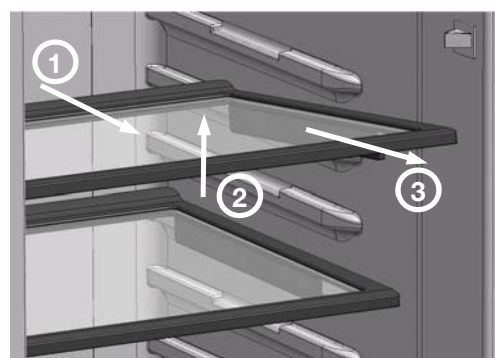


Diagram 26

# AUTOMATIC ICE AND WATER DISPENSER

## Ice and water dispenser features

The ice and water dispenser conveniently dispenses cool, filtered water and ice cubes or crushed ice.

To operate the ice dispenser, select an ice option using the touchpad. Press a glass against the dispensing paddle. Hold the top of the glass as close as possible to the ice outlet, so that you will catch all the ice. To stop dispensing ice, pull the glass away from the dispensing paddle. Do not remove the glass until the ice has finished coming out.

To operate the water dispenser, press a glass against the dispensing paddle. To stop dispensing water, pull the glass away from the dispensing paddle. A drip tray located at the base of the dispenser will catch small spills and allow them to evaporate. The drip tray is removable and dishwasher safe. Do not pour water or excess cubes into the drip tray because it is not connected to a drain.

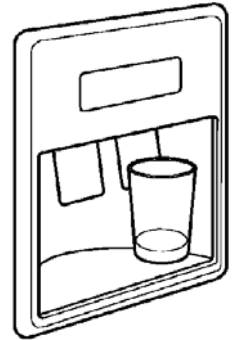


Diagram 27

## Dispenser light

The dispenser has a light which can be turned on and off by pressing the Light button on the touchpad (see Diagram 28). You can replace it with an identical bulb available from your nearest Electrolux Service Centre. Further information can be found on p19.

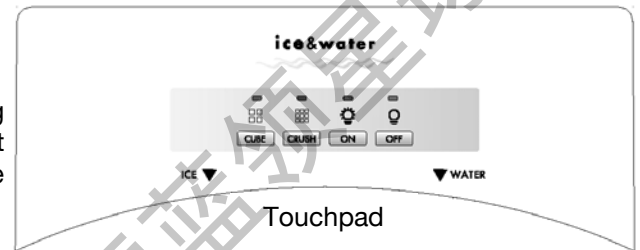


Diagram 28

## How the water dispenser works

After the refrigerator is connected to the water supply, fill the water tank by holding a glass against the dispenser paddle. You may need to hold the glass against the paddle for **up to 1 ½ minutes** before water begins to flow. Continue to draw water for a further 3 minutes to rid the tank and plumbing connections of any of these impurities, the tank will automatically refill as you dispense water. **Remember, do not drink this water as it may have impurities in it!**

The water dispenser water tank is located behind the crisper bin in the refrigerator compartment.

### Normal Operation—For icy cold water, add ice.

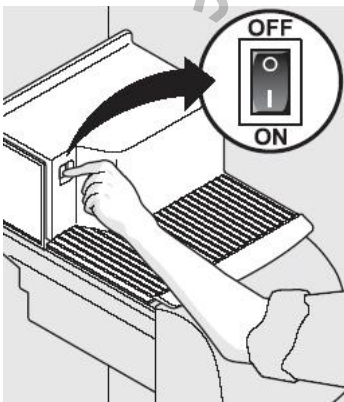
To provide the convenience of filtered water in the same location as the ice dispenser, it is necessary to rout the tubes from the refrigerator compartment. This means the first half glass of water will not be quite as cold as the following 3 or 4 glasses. If you do require icy cold water from the first glass, we recommend that you first add crushed or cubed ice to your glass then water.

It is possible in times of high to empty the cold water tank of your dispenser. Once this occurs, the dispensed water temperature will be similar to that of your normal tap water until the tank has had a chance to re-cool. The addition of cubed or crushed ice will still allow you to enjoy icy cold water should this occur.



**CAUTION:- Chemicals from a malfunctioning softener can damage the ice maker. If the ice maker is connected to soft water, ensure that the softener is maintained and working properly.**

## How the ice dispenser works



The ice maker and ice container are located in the top of the freezer compartment. After the refrigerator is installed properly and has cooled for several hours, the ice maker can begin making ice and the first batch will be ready within 24 hours. A full tray of ice may not be created for the first few batches, due to air in the refrigerator's new plumbing lines.

To begin ice production, switch the I/O switch to the ON position ("I"). If no ice is dispensed it will take about 2 days to fill the container. The ice maker turns off automatically when the ice container is full. To stop ice production, switch the I/O switch to the OFF position ("O"). (See Diagram 29).

The first batches of ice cubes may be discoloured or have an odd flavour, due to the refrigerator's new plumbing connections. Discard this ice until batches are free of discolouration or taste problems.

Diagram 29



# AUTOMATIC ICE AND WATER DISPENSER

## Ice dispenser tips

- Ice cubes stored too long may develop an odd flavour. Remove the ice container and discard the ice cubes. When replacing the tray, ensure that the wire signal arm sits within the ice cube containers. The ice maker will then produce more ice.
- Occasionally shake the ice container to keep ice separated.
- After you take delivery of the refrigerator, keep the “I/O” switch in the “O” (OFF) position until the refrigerator is connected to the water supply. The “I/O” switch should also be kept in the “O” (OFF) position whenever the water supply is turned off.



**CAUTION:-** If the dispensing paddle is pushed for more than 4 minutes, the dispenser motor may overload and stop. The overload protector will reset automatically after 3 or 4 minutes.

- If a large quantity of ice is needed at one time, it is best to remove cubes directly from the ice container.
- When the ice maker is operating, it is normal to hear the sound of:
  - the motor running.
  - ice dropping into the ice container.
  - the water valve opening or closing.
  - ice loosening in the tray.

## Cleaning the ice dispenser

Clean the dispenser and ice container at regular intervals, particularly before you take a vacation or move, also clean the dispenser if it sticks.

To clean the dispenser:

1. Switch the “I/O” switch to the “O” (OFF) position.
2. Remove the ice container by lifting it up and out. Empty and carefully clean the container with mild detergent. Rinse carefully ensuring no traces of detergent remain. Do not use harsh or abrasive cleaners. Allow the ice container to dry completely before replacing it in the freezer.
3. Remove ice chips from the shelf and chute that support the ice container; clean these areas.
4. Replace the ice container. Ensure the wire arm sits within the ice cube container



**IMPORTANT:** When removing or replacing the ice bin, do not rotate the auger in the ice bin. If the auger is accidentally turned, you must realign the auger by turning it in 90° turns until the ice bin fits into place with the drive mechanism (see Diagram 31).

**Remove and empty the ice storage bin if:**

1. An extended power failure (one hour or longer) causes ice cubes in the ice storage bin to melt and freeze together and jam the dispenser mechanism.
2. If the ice dispenser is not used frequently, ice cubes will freeze together in the bin and jam the dispenser mechanism. If this happens remove the ice storage bin and shake it to loosen the cubes.



**WARNING**  
Do not use the ice chute as a handle when removing or replacing the ice storage bin. Do not put fingers up ice chute. Surfaces there may be sharp

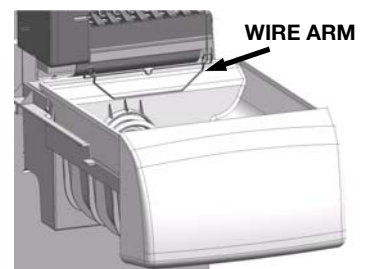


Diagram 30

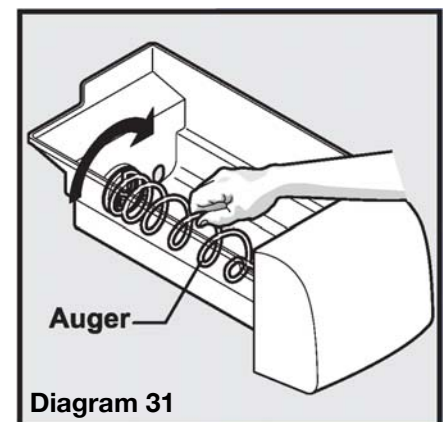


Diagram 31

**NEVER** use an ice pick or similar sharp instrument to break up the ice. This could damage the ice storage bin and dispenser mechanism.

# CHANGING THE WATER FILTER

If you purchased a refrigerator with an ice and water filter, please read the following care and use information.

Your ice and water filter system filters water to your ice maker and water dispenser. It is located above the upper crisper on the right hand side of the food compartment.

## When to change the filter

Water conditions vary throughout the world, but changing the water filter every 6-9 months will ensure the highest possible water quality. If the filter has been in a refrigerator that has not been in use for a while (because of a move for example), change the filter before you reinstall the refrigerator.

## Changing the filter

The water supply does not need to be turned off when you change the filter, however do ensure that the ice dispenser switch is in the "O" (OFF) position.

To change the filter:

1. Open the food compartment door and remove the filter housing cover by sliding it towards you (see Diagram 32).
2. Push the lever counter clockwise (see Diagram 33) to eject the old filter cartridge. Slide the old filter cartridge towards you to remove it from the housing.
3. Take a new filter (purchased from an authorised Electrolux Service Centre) and remove the caps from the inlet and outlet sockets.
4. Slide the new cartridge into the filter housing, and push it firmly into place.

**Note:** There is no audible click when the new filter cartridge is inserted correctly. To ensure the cartridge is properly located, gently pull the filter cartridge towards you. If the cartridge does not move forward it is correctly located.

6. Replace the filter housing cover.
7. Close the freezer door and fill a glass of water. Check filter for leaks. Wipe any water droplets from the filter housing and crisper area.
8. To condition the filter system and purge air from the water line, fill a few more glasses with water. Continue flushing the system for 30 seconds to assure that the purest water possible is stored in the tank.



Diagram 32

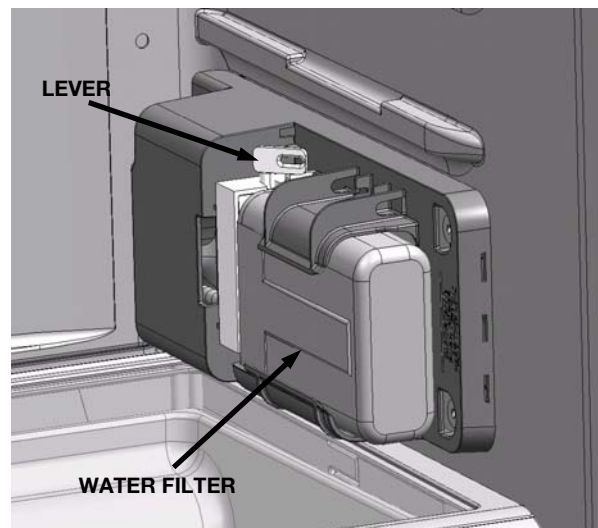


Diagram 33

# CHANGING THE LIGHT BULBS

## To change the food compartment light bulb:

1. Check your temperature settings and write them down.
2. Switch the refrigerator off at wall and remove plug from power point.
3. Unclip the light lens by inserting your fingers at point (1) in Diagram 34.
4. Lift the light lens until it is clear of the housing and unscrew the light bulb.
5. Replace the light bulb with a bulb of the same type and wattage.
6. Replace the light lens by inserting the tab on the lens at point (2) and pushing in the lens with both hands at points (3) (see Diagram 35).
7. Turn the refrigerator back on and reset your temperature to the previous settings.

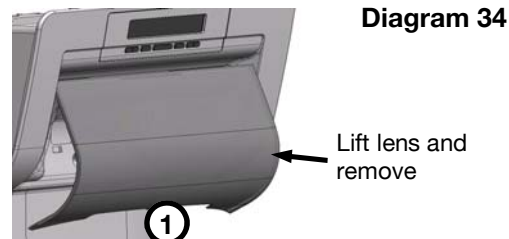


Diagram 34

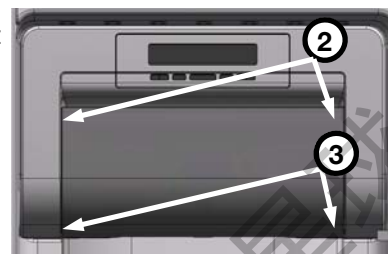


Diagram 35

## To change the freezer compartment light bulb - Standard models:

1. Check your temperature settings and write them down.
2. Switch the refrigerator off at the wall and remove plug from power point.
3. Carefully unclip the light cover by pulling the tab, point (1), at the rear of the cover towards the front of the cabinet (see Diagram 36).
4. Unscrew the light bulb and replace with a bulb of the same type and wattage.
5. Replace the light cover by engaging the tabs at the front of the cover and pushing the rear of the cover (point (1)) up.

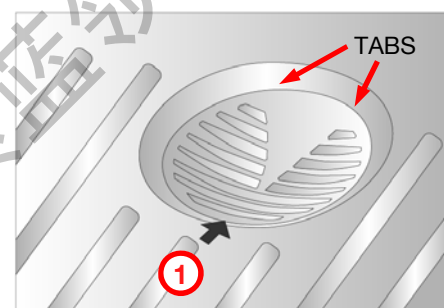


Diagram 36

## To change the freezer compartment light bulb - Ice & Water models:

1. Check your temperature settings and write them down.
2. Switch the refrigerator off at power point and remove the plug from wall.
3. Unscrew the light bulb and replace with a bulb of the same type and wattage (see Diagram 37).
4. Turn the refrigerator back on and reset the temperature to your previous

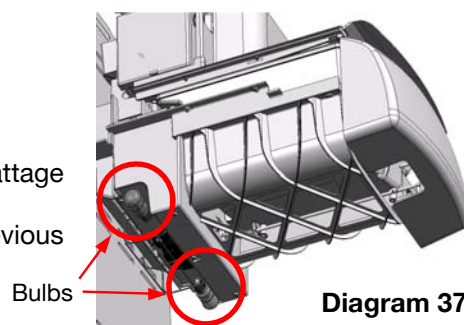


Diagram 37

## To change the ice dispenser light bulb:

1. Check your temperature settings and write them down.
2. Switch the refrigerator off at the wall and remove the plug from the power point.
3. Using your finger, slide the cover to the open position (do not remove the screw). (See Diagram 38).
4. Unscrew the light bulb and replace with a bulb of the same type and wattage.
5. Slide the cover back into position. (See Diagram 39, 40)
6. Turn the refrigerator back on and reset the temperature to your previous settings.

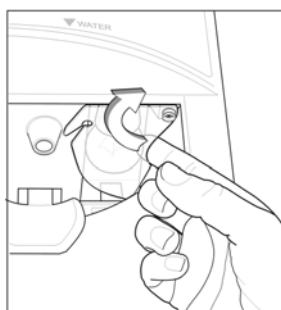


Diagram 38



Diagram 39

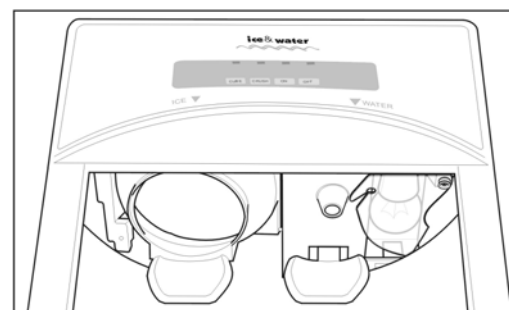


Diagram 40

# CLEANING YOUR REFRIGERATOR



**BEFORE CLEANING:-** Remove the power cord from the power socket. This will ensure that there is no chance of receiving an electric shock whilst cleaning the appliance.

## Cleaning the exterior

### CABINET

It is a good idea to polish the cabinet at least once a year, using a high grade wax like the one you use on your car. After that, an occasional wipe over with a clean, damp cloth will help remove finger marks.

**Note:** Do not wax plastic parts or decorative trim. Wash these in warm (not hot) water using an unscented detergent.

### DOORS - PAINTED

Clean as described above for the cabinet.

### DOORS - STAINLESS STEEL

Your stainless steel appliance is manufactured from a mark resistant stainless steel. This stainless steel has a special advanced protective coating that ease the removal of marks such as finger prints or water spots. To keep your stainless steel refrigerator looking its best, you should clean it regularly. You should only clean the stainless steel doors with lukewarm soapy water and a soft cloth. Rinse with clean water and then wipe the surface with clean water and a soft, clean cloth to remove any soap residue.



**Do not use abrasive pads or other cleaners as they are likely to scratch the surface. Damage to this product after installation is not covered by your warranty.**

**Note:** It is important to wipe in the direction of the grain of the stainless steel to avoid any undue marking of the surface.

### DRIP TRAY REMOVAL

Water may accumulate in the sump located under the drip tray. If this occurs the sump can be sponged out to prevent water overflowing down the front of the door.

For cleaning, remove the tray as described below:

1. Press down at the back of the drip tray with the tips of your fingers.
2. Pull the tray forward.
3. To refit, slide the drip tray back into position and push into place (see Diagram 41).

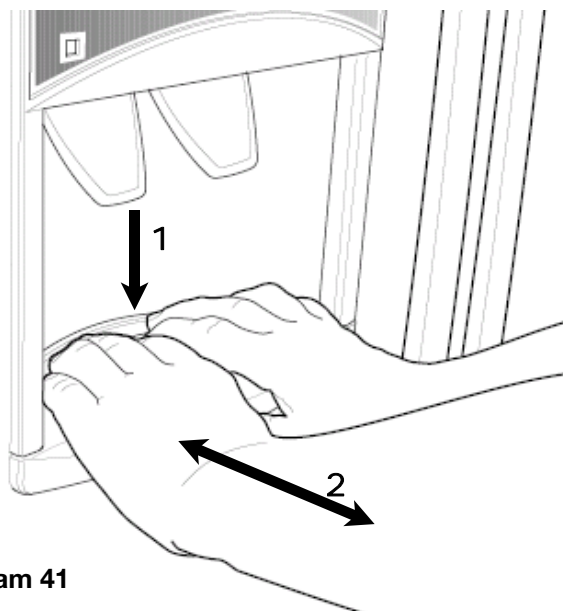


Diagram 41

# CLEANING YOUR REFRIGERATOR

## Cleaning the interior

You should clean the refrigerator interior regularly. It will be easiest to clean when the food supply is low. Wash the interior with a soft cloth and use an unscented mild soap with lukewarm water. Thoroughly dry all surfaces and removable parts. Avoid getting water on refrigerator controls. If you have taken out any removable parts, replace them and switch the power on before restocking the refrigerator with food. You should keep the interior of your refrigerator hygienic by promptly and thoroughly wiping up any food spills.

## Keep door seals clean

Take care to keep door seals clean. Sticky food and drink can cause seals to stick to the cabinet and tear when you open the door. Wash the seal with a mild detergent and warm water. Rinse thoroughly with clean water and dry.



**WARNING:- Never use hot water, solvents, commercial kitchen cleaners, aerosol cleaners, metal polishes, caustic or abrasive cleaners, or scourers to clean this appliance as they will damage it. Many commercially available cleaning products and detergents contain solvents that will damage your refrigerator. When cleaning, use only a soft cloth with an unscented mild soap and lukewarm water.**

## HELPFUL HINTS

### Energy consumption (electricity costs)

The following guide will help you reduce the running cost of your new refrigerator. This will save you money and help conserve our valuable energy resources.

- If you keep your old refrigerator, save power by switching it off when not in use.
- Do not set your freezer temperature too low. After 24 hours, ice cream should be firm but able to be scooped out with a spoon without bending the handle. If ice cream is firmer than this (or too soft), adjust the freezer temperature controls (see 'Adjusting Temperatures', page 9).
- Ensure that the refrigerator doors seal properly as you close them.
- Before you open the refrigerator doors, decide what you want to put in or take out. This will minimize the time you have the doors open.
- It is best to have the refrigerator in a place that is out of direct sunlight and away from heating appliances of any kind. For example, do not place the refrigerator next to a cooker, stove or dishwasher.
- Allow hot foods to cool to room temperature before you put them in your freezer.
- Thaw frozen food in the refrigerator section.
- If you keep the freezer compartment filled to capacity, your food mass will help maintain the freezer temperature when you open the door.
- Do not block air vents. Doing so causes the refrigerator to run longer and uses more energy.

## Turning off the refrigerator

If you are leaving for a short holiday, there is no need to turn off your refrigerator.

If you are going on a long holiday and want to turn the refrigerator off, following the steps below.

1. Take all the food out of the refrigerator and freezer compartments.
2. Switch off the refrigerator and remove the electric cord from the power point.
3. Clean the inside.
4. Leave the doors open. This prevents bacteria from growing and causing smells in the refrigerator.

# HELPFUL HINTS

## Power failure

If there is a power failure in your area, keep the door to the freezer closed. Most foods in your freezer will stay frozen for 24 hours.

## Safety

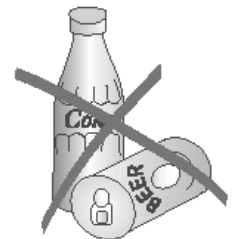
It is important to use your refrigerator safely. This means you need to supervise young children and infirm persons when they use it. You need to make sure that young children do not play with the refrigerator. Follow the tips below.

### DO

- Check the power point is properly earthed - if you are not sure get an electrician to check it. An unearthed power point can cause an electric shock.
- Switch off the refrigerator at the power point and remove the plug from the socket before you clean or move it.
- If the supply cord is damaged you should have it replaced by the manufacturer, its service agent or similarly qualified person. This will prevent a safety hazard.

### DON'T

- Let children play with the refrigerator.
- Store spray cans, explosive liquids or flammable liquids in the refrigerator.
- Store fizzy drinks in the freezer compartment.
- Lick icy foods when they first come out of the freezer. This can freeze burn your lips and mouth.
- Try to repair the refrigerator yourself.
- Use electric heaters or dryers to defrost the freezer because you can receive an electric shock.
- Use electrical appliances inside the food storage areas.



This refrigerator contains insulation formed with flammable blowing gases. For safety reasons, take care when you dispose of it.

Do not damage the pipes & cooling components containing refrigerant.



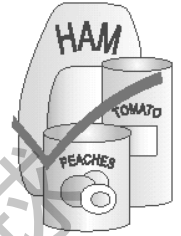
**WARNING:- When you dispose of your old refrigerator remove any doors. Children can suffocate if they get trapped inside.**

# HELPFUL HINTS

## Helpful hints for storing food

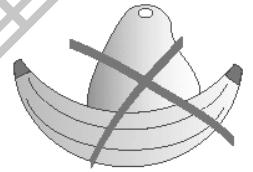
### DO

- Buy the freshest, best quality food and put it in the refrigerator as soon as possible.
- Cover food with plastic wrap or foil to stop it drying out.
- Cover food with plastic wrap or foil to prevent smells.
- Rinse and wrap fish and poultry before you put them in the refrigerator.
- Minimise bacteria by removing stuffing from poultry before you put it in the refrigerator.
- When you store eggs in the refrigerator compartment, store them with the pointed end down.



### DON'T

- Don't store bananas, avocados or mangoes in the refrigerator. This can cause them to go black or to go soft.
- Don't put hot or warm food in the refrigerator. Allow it to cool first.



## Helpful hints for freezing food

You can use the freezer to store food which you buy in bulk when prices are low. You can also cook extra food and freeze it for later use.

### DO

- Buy the freshest, best quality food and put it in the freezer as soon as possible.
- Place food in plastic bags or plastic wrap before you put it in the freezer.
- Squeeze the air out of plastic bags as this prevents frost.
- When you buy frozen foods in the supermarket, keep them in their packaging when you store them.
- Defrost food, especially chicken and fish, in the refrigerator compartment. This stops bacteria from growing.
- Leave food in its wrapping while it defrosts.
- Use defrosted food immediately.

Never refreeze defrosted food.



# FOOD STORAGE GUIDE

## FREEZING MEAT

- |                                                                                                                                                                                                                                                                                                                                        |                                                     |
|----------------------------------------------------------------------------------------------------------------------------------------------------------------------------------------------------------------------------------------------------------------------------------------------------------------------------------------|-----------------------------------------------------|
| <ul style="list-style-type: none"><li>• Separate pieces of meat with plastic wrap.</li><li>• Put the meat into plastic bags and remove air from under the wrap before placing them in the freezer.</li></ul>                                                                                                                           | Store up to 6 months                                |
| <ul style="list-style-type: none"><li>• Separate sausages and hamburger patties on a tray and freeze for an hour until hard. Wrap them separately in plastic wrap. Put them into plastic bags and remove air before placing them back in the freezer.</li></ul>                                                                        | Store sausages, mince and cured meats up to 1 month |
| <ul style="list-style-type: none"><li>• Wrap joints, large pieces of meat, steaks and chops separately in plastic wrap or put them into plastic bags and remove air before placing it in the freezer. Joints and large pieces of meat should be defrosted before cooking. Steaks and chops may be cooked while still frozen.</li></ul> | Store up to 6 months                                |
| <ul style="list-style-type: none"><li>• Wrap liver, kidney and other offal separately in plastic wrap or put them into plastic bags and remove air before placing it in the freezer.</li></ul>                                                                                                                                         | Store up to 2 months                                |

## FREEZING POULTRY

- |                                                                                                                                                                                                                                                          |                      |
|----------------------------------------------------------------------------------------------------------------------------------------------------------------------------------------------------------------------------------------------------------|----------------------|
| <ul style="list-style-type: none"><li>• Wash fresh poultry with cold water. Dry, cover and put it in the refrigerator compartment overnight. Wrap it in plastic wrap or put into plastic bags and remove air before placing it in the freezer.</li></ul> | Store up to 6 months |
| <ul style="list-style-type: none"><li>• Separate whole and half birds into plastic bags and remove air before placing them in the freezer.</li><li>• Do not stuff birds before freezing.</li></ul>                                                       | Store up to 6 months |
| <ul style="list-style-type: none"><li>• Pack chicken pieces into plastic bags in a single layer and remove air before placing them in the freezer.</li><li>• Chicken pieces may be cooked while still frozen.</li></ul>                                  | Store up to 4 months |
| <ul style="list-style-type: none"><li>• Freeze crumbed chicken pieces on a tray for one or two hours. Pack the pieces into plastic bags in a single layer and remove air before placing back in the freezer.</li></ul>                                   | Store up to 4 months |
| <ul style="list-style-type: none"><li>• Put cooked chicken dishes into sealed containers before freezing.</li></ul>                                                                                                                                      | Store up to 3 months |



# FOOD STORAGE GUIDE

## FREEZING SEAFOOD

- Buy only fresh seafood to freeze.

### FISH

Store 2-4 months

- Clean and prepare fish so that it will be ready to cook when you take it out of the freezer. Separate pieces of fish with plastic wrap. Pack into plastic bags and remove air. Fish fillets can be cooked when frozen although you won't be able to batter or crumb them.

### PRAWNS

Store up to 4 months

- Shell and clean cooked prawns. Put them into watertight containers. Cover them with salt water, seal and freeze quickly. Green prawns can be frozen whole and cooked while still frozen.

### CRABS AND CRAYFISH

Store up to 2 months

- Drop fresh crabs and crayfish into boiling salted water (add 1 tablespoon of salt per litre of water) Cook gently for 10-20 minutes. Drain well and cool. Open and clean. Remove all flesh and pack into watertight containers. Cover with salt water. Seal and freeze quickly.

## FREEZING CAKES & PASTRY

### BISCUITS

Store up to 3 months

- Pack baked or unbaked biscuits into plastic bags or containers before storing them.

### CAKES AND SPONGES

- Pack them in plastic wrap or plastic bags. Freeze whole or cut cakes and sponges. Cakes with whipped cream can also be frozen. Iced cakes can be stored for up to 4 months. Un-iced cakes can be stored up to 6 months.

# FOOD STORAGE GUIDE

## FREEZING CAKES & PASTRY

### FRESH BREAD AND ROLLS

Store up to 12 months

- Pack separately in plastic wrap or plastic bags.
- Leave in wrapping and defrost at room temperature or unwrap and reheat in an oven for 15-20 minutes.

### PIES AND TARTS

Store up to 3 months

- Pack pies and tarts in strong plastic bags before or after baking. Put them into freezer.

### SCONES

Store up to 3 months

- Cool them quickly after baking. Pack them into plastic bags and put in the freezer. After you remove frozen scones from the freezer, you can reheat them in an oven for 15-20 minutes.

获取更多资料

微信搜索蓝领星球

# BEFORE CALLING FOR SERVICE

## What to do before calling for service

If you think something may be wrong with your refrigerator, you can carry out some easy checks before calling for service. You may locate the problem, sparing yourself inconvenience and saving time and money.

Problem	Solution
<b>When your appliance is not operating</b>	<p>If your refrigerator does not seem to be running, try setting a lower temperature using the temperature controls. It is normal for the freezer fan NOT to operate during the automatic defrost cycle, or for a short time after the refrigerator is switched on. The refrigerator may start up as it tries to lower the temperature. If this does not work, check that the power cord is plugged into the power outlet properly and that the outlet is switched 'ON'. Try running another appliance from the power outlet to test if there is a problem with the outlet. If no power is coming from the outlet you may have blown a fuse or tripped a circuit of your household power supply. If you call for service and it is found that the power point is faulty, you may be charged for the service call.</p>
<b>When there is refrigerator noise</b>	<p>Modern refrigerator/freezers with increased storage capacity use high speed compressors. This can provide a seemingly high level of sound but it is quite normal.</p> <p>Normal operational sounds include:</p> <ul style="list-style-type: none"><li>• occasional gurgling, similar to water boiling.</li><li>• air flow noise (air circulates because of a small fan).</li><li>• a popping noise heard during automatic defrost.</li><li>• a clicking noise heard just before the compressor starts (this is merely the automatic switching action of the temperature control, turning the compressor on or off).</li></ul> <p>The following sounds are normal when the ice maker is operating:</p> <ul style="list-style-type: none"><li>• the motor running.</li><li>• ice dropping into the ice container.</li><li>• the water valve opening or closing.</li><li>• ice loosening from tray.</li><li>• running water.</li></ul> <p>Other strange sounds may mean that you need to check and take action. For example, noises may mean that:</p> <ul style="list-style-type: none"><li>• the cabinet is not level</li><li>• the floor is uneven or weak</li><li>• bottles are badly placed and rattling</li><li>• there are vibrations from an object on top of, behind or beside the refrigerator</li><li>• the back of the refrigerator cabinet is touching the wall.</li></ul> <p>Remember it is quite normal for noise to seem louder just after the refrigerator starts operating.</p>
<b>If there are odours inside the refrigerator</b>	<ul style="list-style-type: none"><li>• the interior may need cleaning.</li><li>• some foods produce odours.</li><li>• some containers and wrapping can cause odours.</li><li>• ask yourself if the odour started about the same time you started storing something unusual.</li></ul>

# BEFORE CALLING FOR SERVICE

Problem	Solution
<b>When the motor seems to operate more than expected</b>	<p>Your new refrigerator provides you with large capacities in both the refrigerator section and the separate freezer. It is normal for the motor to operate frequently. However, to keep operation to a minimum, check the following:</p> <ul style="list-style-type: none"> <li>• Are doors kept open too long or too often?</li> <li>• Are controls set too cold? See 'Adjusting Temperatures', page 9.</li> <li>• Have large amounts of warm food just recently been stored? Summer, festive seasons and holidays usually mean a lot more work for your refrigerator.</li> <li>• If the day is hot or the room is very warm, the refrigerator will need to run more than normal.</li> </ul> <p>The refrigerator will run more that normal just after you install it or when it has been turned off for a long time.</p>
<b>Warm air</b>	<p>Check that the refrigerator has enough clearance at the sides, back and top. See 'General Installation' on page 5 of this booklet.</p>
<b>If the temperature in the refrigerator is too warm</b>	<ul style="list-style-type: none"> <li>• See 'Adjusting Temperatures', on page 9 of this booklet. You may have kept the door open too long or too frequently. Food containers or packaging may be holding a door open.</li> <li>• Also refer to "Temperature Trouble Shooting" on page 10</li> </ul>
<b>If the temperature in the refrigerator is too cold</b>	<ul style="list-style-type: none"> <li>• See 'Adjusting Temperatures', on page 9 of this booklet.</li> <li>• Increase the temperature to avoid high energy consumption.</li> <li>• Also refer to "Temperature Trouble Shooting" on page 10</li> </ul>
<b>If the doors will not close</b>	<ul style="list-style-type: none"> <li>• Check whether the top of the refrigerator is tilted back 10-15 mm to allow the doors to self close.</li> <li>• Check whether something is holding the door open.</li> </ul> <p>It is normal for the freezer door to momentarily open and re-close when the food compartment door is closed. If the freezer door stays open, it indicates that the refrigerator cabinet needs to be tilted backwards a little further. If you call a service person to solve this problem you will be charged for the cost of the service call, as this is not a warranty fault.</p>
<b>If heavy frosting occurs in the freezer</b>	<p>Make sure you fully close the freezer and food compartment doors after you load or remove food from these compartments. If the doors are left partly open, a heavy frost will coat the inside of the freezer. If a frost develops, remove it. Take care to properly close the doors and the frost will not reoccur.</p>

# BEFORE CALLING FOR SERVICE

## ICE MAKER PROBLEM CHECKLIST

Problem	Possible Causes	Action
<b>Automatic Ice Maker</b>		
The ice maker is not making any ice	<ol style="list-style-type: none"> <li>1. Ice maker is in the OFF position.</li> <li>2. Household water line valve is not open.</li> <li>3. Freezer is not cold enough.</li> <li>4. The water dispenser may not be dispensing water.</li> </ol>	<ol style="list-style-type: none"> <li>1. Put switch in the ON position.</li> <li>2. Turn on the household water line valve.</li> <li>3. See the PROBLEM section TEMPERATURES ARE TOO WARM.</li> <li>4. If it isn't, the ice &amp; water filter cartridge may be clogged or restricted by foreign material, and would need to be replaced.</li> </ol>
The ice maker is not making enough ice	<ol style="list-style-type: none"> <li>1. The ice maker is producing less ice than you expect.</li> <li>2. The freezer is not cold enough.</li> <li>3. The household water line valve is not completely open.</li> <li>4. The water dispenser is dispensing slower than normal.</li> </ol>	<ol style="list-style-type: none"> <li>1. The ice maker should produce approximately 2 – 3 kilograms of ice every 24 hours.</li> <li>2. See section 'Adjusting Temperatures' on page 9.</li> <li>3. Turn on the household water line valve.</li> <li>4. Replace the ice &amp; water filter cartridge.</li> </ol>
The ice maker will not stop making ice.	<ol style="list-style-type: none"> <li>1. Ice maker wire signal arm is being held down by some item in the freezer.</li> </ol>	<ol style="list-style-type: none"> <li>1. Move the item and release the wire signal arm. Remove any ice cubes that have frozen together over the wire signal arm.</li> </ol>
The ice maker is not separating the ice cubes.	<ol style="list-style-type: none"> <li>1. Ice cubes are not being used frequently enough.</li> <li>2. Ice cubes are hollow or smaller than normal.</li> </ol>	<ol style="list-style-type: none"> <li>1. Remove and shake the ice container to separate cubes.</li> <li>2. Replace the filter cartridge, as the ice &amp; water filter cartridge may be clogged.</li> </ol>
The ice has bad odour and taste.	<ol style="list-style-type: none"> <li>1. The ice has picked up odour or flavour from strongly flavoured food stored in the refrigerator or freezer.</li> <li>2. The water running into the ice maker has poor taste or odour.</li> <li>3. Ice not used frequently enough.</li> </ol>	<ol style="list-style-type: none"> <li>1. Cover foods tightly. Discard stale ice. The ice maker will produce a fresh supply.</li> <li>2. Add a filter to water supply line. Consult a water purifying company.</li> <li>3. Discard stale ice.</li> </ol>
<b>Ice Dispenser</b>		
The dispenser will not dispense ice.	<ol style="list-style-type: none"> <li>1. The ice storage container is empty.</li> <li>2. The freezer temperature is set too warm.</li> <li>3. The household water line valve is not open.</li> <li>4. The freezer door is not closed.</li> <li>5. The Ice dispensing arm has been held in for more than 4-5 minutes.</li> </ol>	<ol style="list-style-type: none"> <li>1. When the first supply of ice drops into the container, the dispenser should operate.</li> <li>2. Turn the freezer control to a higher setting so that ice cubes will be made. When first supply of ice is made, dispenser should operate.</li> <li>3. Open the household water line valve. Allow sufficient time for the ice to be made. When ice is made, the dispenser should operate.</li> <li>4. Ensure the freezer door is closed.</li> <li>5. The motor is overloaded. The motor overload protector will reset in approximately 3 minutes. Ice can then be dispensed.</li> </ol>
The ice dispenser is jammed	<ol style="list-style-type: none"> <li>1. Ice has melted and frozen around the auger due to infrequent use, temperature fluctuations, and/or power outages.</li> <li>2. Ice cubes are jammed between the ice maker and back of ice container.</li> <li>3. Ice cubes are frozen together.</li> <li>4. Ice cubes are hollow or smaller than normal.</li> </ol>	<ol style="list-style-type: none"> <li>1. Remove the ice container and empty its contents. Clean and dry the container, and replace it to its proper position. When new ice is made, the dispenser should operate.</li> <li>2. Remove ice cubes that are jamming the dispenser.</li> <li>3. Use the dispenser often so that cubes do not freeze together.</li> <li>4. The ice &amp; water filter cartridge could be clogged. Cartridge may need replacing.</li> </ol>
		The dispensing system operates best at a water pressure of 30 – 100 psi.

# BEFORE CALLING FOR SERVICE

---

If you still require service

If you have a problem, and the problem persists after you have made the checks mentioned above, contact your nearest Service Centre or the dealer you bought the appliance from.

Be ready to quote the appliance model number and 8 digit serial number, which is stated on the data label inside the appliance.

## Important Notice

Before Calling a Service Technician please check carefully the operating instructions, service booklet

获取更多资料 微信搜索蓝领星球

# CARE & USE - สารบัญ

บทนำ.....	3
ชิ้นส่วนต่างๆของตู้เย็น	
รุ่นมาตรฐาน.....	4
รุ่น Ice & Water.....	4
การติดตั้งทั่วไป	
ระยะห่างโดยรอบตู้เย็น.....	5
การติดตั้ง.....	5
การปรับระดับพาตู้.....	6
บรรจุภัณฑ์ภายในตู้.....	7
รุ่น Ice & Water.....	7
การใช้งานเบื้องต้น	
การทำงานของตู้เย็น / ช่องแช่แข็ง.....	8
การใช้งานตู้เย็นรุ่น Ice & Water.....	8
การใช้งานตู้เย็น	
หน้าจอแสดงผลอิเล็กทรอนิกส์.....	9
การปรับอุณหภูมิ.....	9
การเปิดและปิดนาฬิกา.....	11
การตั้งเวลา.....	11
ฟังก์ชันแช่แข็งอย่างรวดเร็ว.....	12
โหมดการทำงานในวันหยุด.....	12
สัญญาณเตือนเปิดประตูค้างไว้.....	12
สัญญาณเตือนอุณหภูมิในช่องแช่แข็ง.....	13
นาฬิกาตั้งเวลาแช่แข็งเครื่องต้ม.....	13
คุณสมบัติด้านอิเล็กทรอนิกส์อื่นๆ / การแก้ไขปัญหาเบื้องต้นเกี่ยวกับอุณหภูมิ.....	15
คุณสมบัติของช่องแช่อาหาร.....	16
ช่องเก็บผัก.....	16
ช่องเก็บอาหารประเภทนมเนย.....	16
ช่องเก็บของพิเศษ.....	16
ช่องแช่ผักผลไม้.....	16
ชั้นแก้วชนิดเลื่อนออกได้.....	16
ช่องจ่ายน้ำและน้ำแข็งอัตโนมัติ	
คุณสมบัติของช่องจ่ายน้ำและน้ำแข็ง.....	17
ไฟที่ช่องจ่ายน้ำและน้ำแข็ง.....	17
การทำงานของช่องจ่ายน้ำ.....	17
การทำงานของช่องจ่ายน้ำแข็ง.....	17
เคล็ดลับการใช้งานช่องจ่ายน้ำแข็ง.....	18
การทำความสะอาดช่องจ่ายน้ำแข็ง.....	18
การเปลี่ยนไส้กรองน้ำ	
ระยะเวลาในการเปลี่ยนไส้กรอง.....	19
วิธีการเปลี่ยนไส้กรอง.....	19
การเปลี่ยนหลอดไฟส่องสว่าง	
วิธีเปลี่ยนหลอดไฟส่องสว่างในช่องเก็บอาหาร.....	20
วิธีเปลี่ยนหลอดไฟส่องสว่างในช่องแช่แข็ง.....	20
วิธีเปลี่ยนหลอดไฟส่องสว่างที่เครื่องจ่ายน้ำแข็ง.....	20
การทำความสะอาด.....	21
กลเม็ดการใช้งานที่มีประโยชน์.....	21
คู่มือในการเก็บรักษาอาหาร.....	21

เอกสารฉบับนี้สงวนลิขสิทธิ์ ห้ามมิให้มีการทำซ้ำโดยมิได้รับอนุญาตล่วงหน้าเป็นลายลักษณ์อักษรจาก Electrolux Home Products Pty Ltd (Electrolux) เนื้อหาในเอกสารฉบับนี้ถูกต้องตามข้อเท็จจริงขณะจัดพิมพ์ แต่อาจมีการเปลี่ยนแปลง เพิ่มเติมหรือยกเลิกข้อมูลผลิตภัณฑ์หรือบริการที่ระบุได้ในภายหลัง เนื่องจาก Electrolux มีนโยบายพัฒนาและปรับปรุงผลิตภัณฑ์อย่างต่อเนื่อง บริษัทจึงขอสงวนสิทธิ์ในการเปลี่ยนแปลงข้อกำหนดทางเทคนิคของผลิตภัณฑ์และวัสดุโดยไม่มีการแจ้งให้ทราบล่วงหน้า

# บทนำ

เรียนลูกค้าผู้มีอุปการคุณ

ขอแสดงความยินดีที่ท่านเลือกซื้อตู้เย็นเครื่องใหม่

ขอให้ปฏิบัติตามข้อแนะนำด้านล่างเพื่อการติดตั้งใช้งานอย่างปลอดภัย และมีประสิทธิภาพ

**ข้อควรทราบ:** ก่อนจะติดตั้งตู้เย็น ขอให้ตรวจสอบความเรียบร้อยของเครื่อง หากพบว่าสินค้าที่จัดส่งเสียหาย โปรดติดต่อตัวแทนจำหน่าย โดยด่วน หากไม่ติดต่ออาจมีผลต่อการรับประกันของผู้ผลิตได้ โปรดดูรายละเอียดเพิ่มเติมจากใบรับประกันของ Electrolux ที่แนบมาพร้อมเครื่อง

## หยุดอ่านตรงนี้สักนิด

### ปลั๊กไฟ

#### สิ่งที่คุณควรทำ

- ตรวจสอบให้แน่ใจว่าปลั๊กไฟเดินสายดินเรียบร้อยแล้ว ขอให้ช่างไฟตรวจสอบเช็คให้หากคุณไม่แน่ใจ
- ตรวจสอบสายไฟของตู้เย็นว่ายาวถึงปลั๊กไฟหรือไม่



#### สิ่งที่ไม่ควรทำ

- อย่าเสียบปลั๊กตู้เย็นกับสายต่อหรือสามตา
- อย่าเสียบปลั๊กตู้เย็นกับเครื่องตั้งเวลาที่เสียบไว้กับปลั๊กไฟ



### สถานที่ตั้ง

#### สิ่งที่คุณควรทำ

- เลือกสถานที่ที่มีอากาศไม่เย็นจนเกินไป อุณหภูมิโดยรอบควรสูงกว่า 10 องศา C
- ตั้งตู้เย็นไว้ในจุดที่แห้ง โดยหลีกเลี่ยงพื้นที่ที่มีความชื้นสูง



#### สิ่งที่ไม่ควรทำ

- อย่าตั้งตู้เย็นในที่ที่มีอากาศเย็นนอกตัวบ้าน เช่น ในโรงรถหรือระเบียง
- อย่าตั้งตู้เย็นไว้ในที่ที่ได้รับแสงแดดโดยตรง
- อย่าตั้งตู้เย็นไว้ใกล้เตา ไฟ หรือเครื่องทำความร้อน
- อย่าตั้งตู้เย็นบนพื้นที่ไม่เรียบ

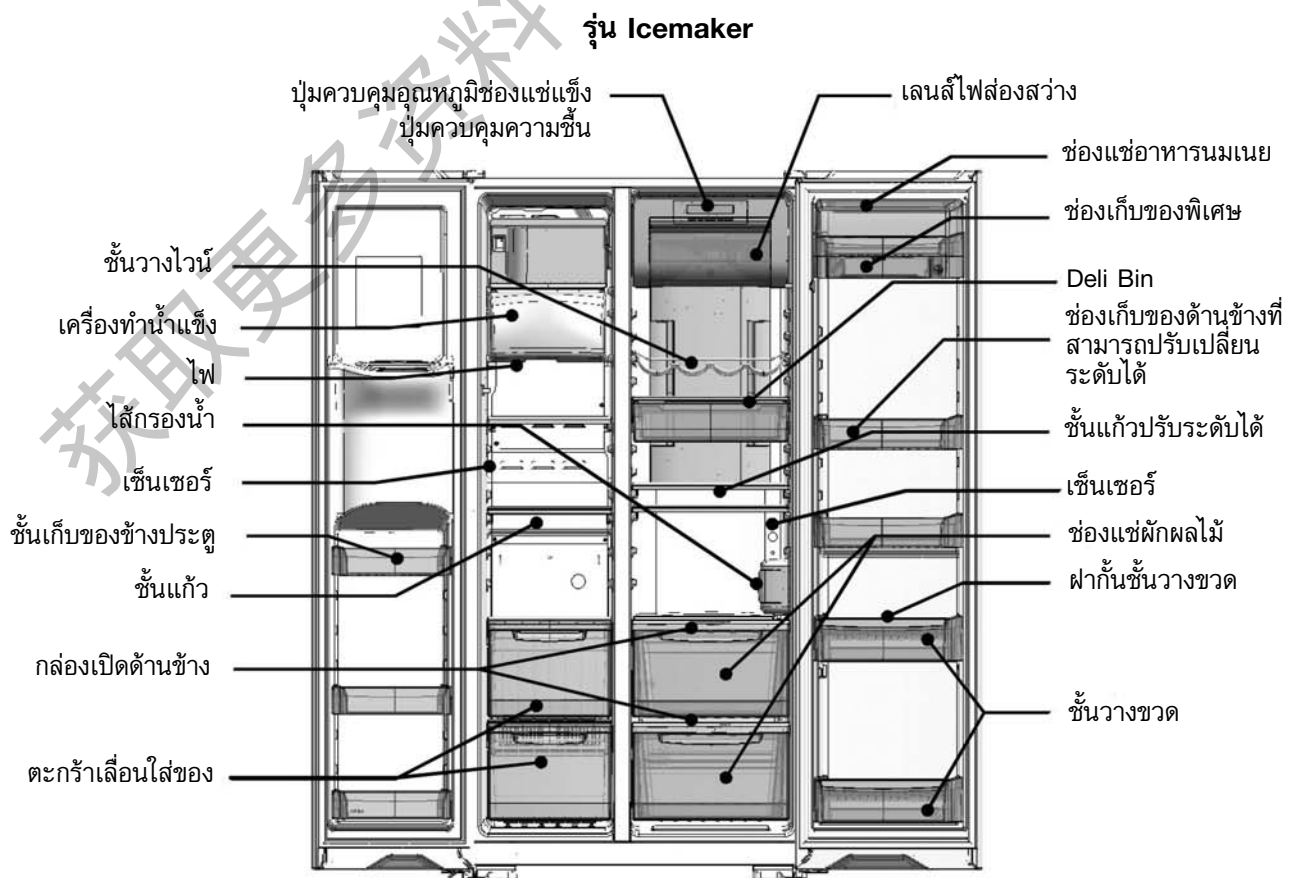
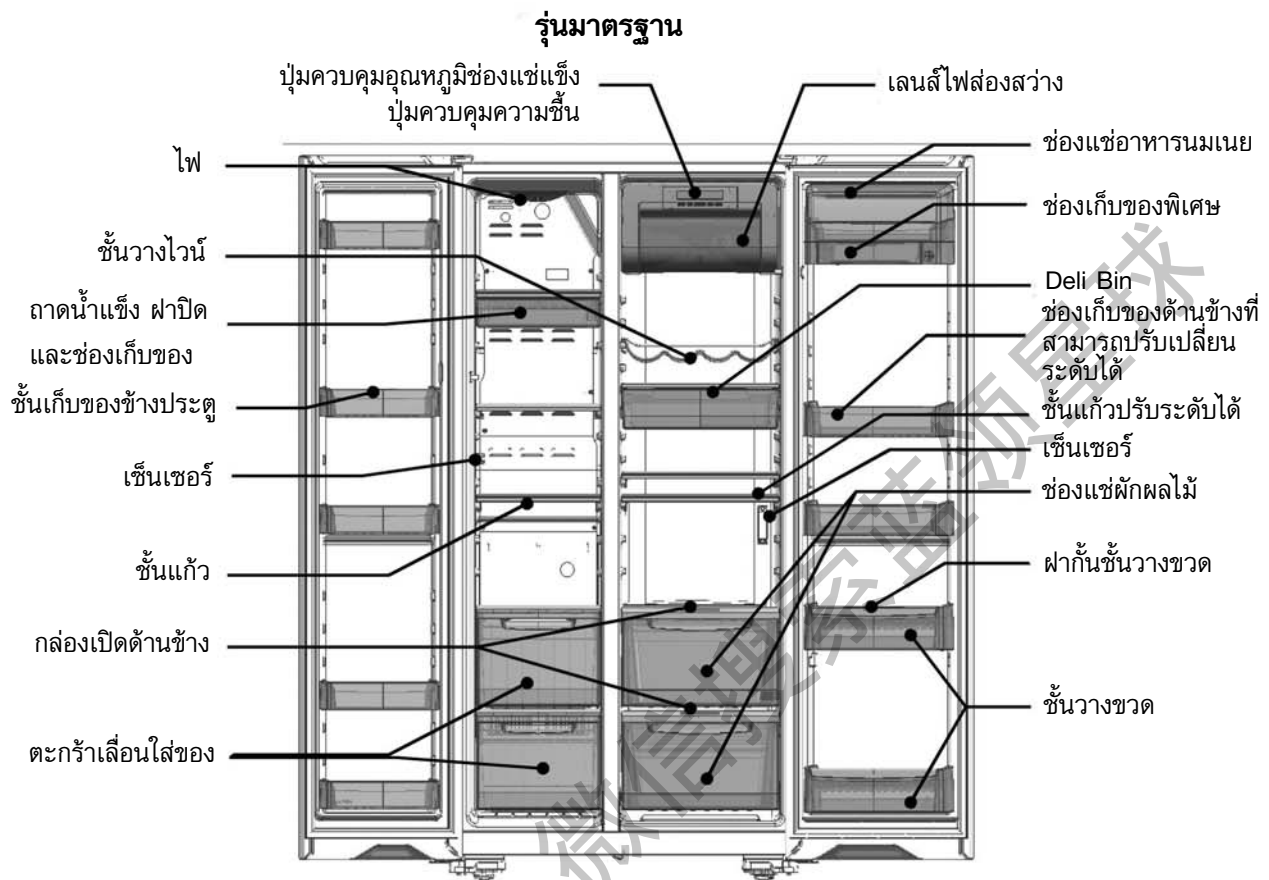




# ชั้นส่วนต่างๆ ของตู้เย็น

## ชั้นส่วนต่างๆ ของตู้เย็น

โปรดดูภาพด้านล่างก่อนอ่านวิธีดูแลรักษาตู้เย็น



# การติดตั้งทั่วไป

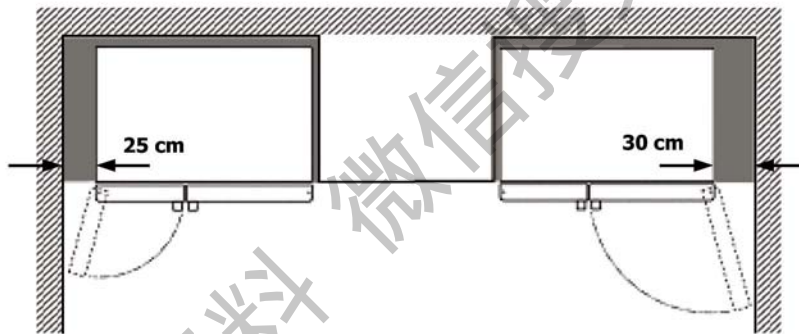
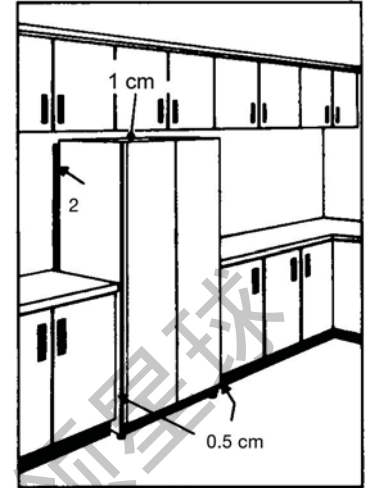
หลังจากติดตั้งถูกต้องแล้ว ตู้เย็นควรจะมี

- มีระยะห่างจากด้านหลัง ด้านข้าง และด้านบนมากเพียงพอ
- อยู่ในแนวเดียวกับตู้ใส่ช่องโดยรอบ
- ประตูปิดกลับเองได้เมื่อเปิดค้างไว้

## ระยะห่างโดยรอบตู้เย็น

ตู้เย็น Side by Side สามารถติดตั้งในช่องว่างระหว่างตู้ หรืออุปกรณ์อื่นๆที่ติดตั้งในห้องได้ แต่จะต้องเว้นช่องว่างโดยรอบไว้ดังนี้

- มีระยะห่างจากด้านหลังทั้งสองอย่างน้อย 0.5 ซม.
- มีระยะห่างเหนือตู้อย่างน้อย 1 ซม. (ดูรูปที่ 1)
- มีระยะห่างจากด้านหลัง 2 ซม. (ดูรูปที่ 1)
- มีระยะห่าง 25-30 ซม. จากด้านข้างที่มีบานพับของตู้ หากวางตู้ต่อจากผนัง ซึ่งช่วยให้การทำ  
ความสะอาดง่ายขึ้น (ดูรูปที่ 2)



- ดูให้แน่ใจว่าตู้หรืออุปกรณ์ที่ติดตั้งไว้ไม่ยื่นออกเกินขอบตู้เย็น

## การติดตั้ง

ตู้เย็นควรจัดส่งมาพร้อมปรับระดับขาตั้งหน้าเอนไปด้านหลังประมาณ 10-15 มม. (ดูรูป 3)

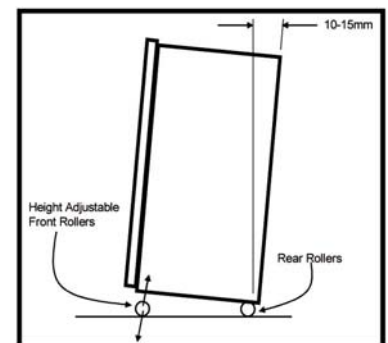
เมื่อต้องการติดตั้งตู้เย็นให้ปฏิบัติตามขั้นตอนต่อไปนี้

1. เลื่อนตู้เย็นเข้ายังจุดที่ต้องการติดตั้ง

**ข้อควรระวัง:** ขาตั้งของตู้เย็นได้รับการออกแบบให้เลื่อนไปด้านหน้าหรือด้านหลังเท่านั้น ไม่ใช้ล้อหมุน เพราะฉะนั้นการขยับตู้เย็นไปทางด้านข้างอาจทำให้พื้นและขาตั้งเสียหายได้

2. ขอแนะนำให้ด้านบนของตู้เอนไปด้านหลังประมาณ 0-15 มม. เพื่อช่วยให้ประตูตู้ที่เปิดค้างไว้ปิดเองได้ (ดูรูปที่ 3)

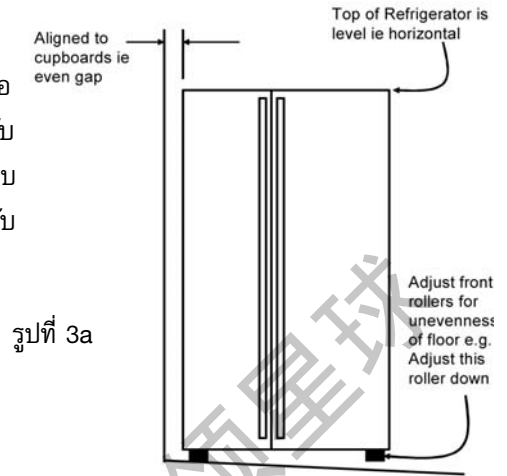
3. หากตู้ไม่เอนไปด้านหลัง คุณสามารถปรับที่ล้อด้านหน้าทั้งสองโดยหมุนที่เกลียวพลาสติก (ดูรูปที่ 6 ในหน้า 6) คุณอาจต้องใช้คนช่วยสองคน โดยคนหนึ่งปรับระดับขาตั้ง ส่วนอีกคนดันตู้เย็นเอนไปด้านหลังเล็กน้อย เพื่อปรับเพิ่มหรือลดความสูงของล้อ การหมุนเกลียวหนึ่งรอบจะปรับระดับความเอียงได้ประมาณ 10 มม.



# การติดตั้งทั่วไป

## (การติดตั้งต่อ)

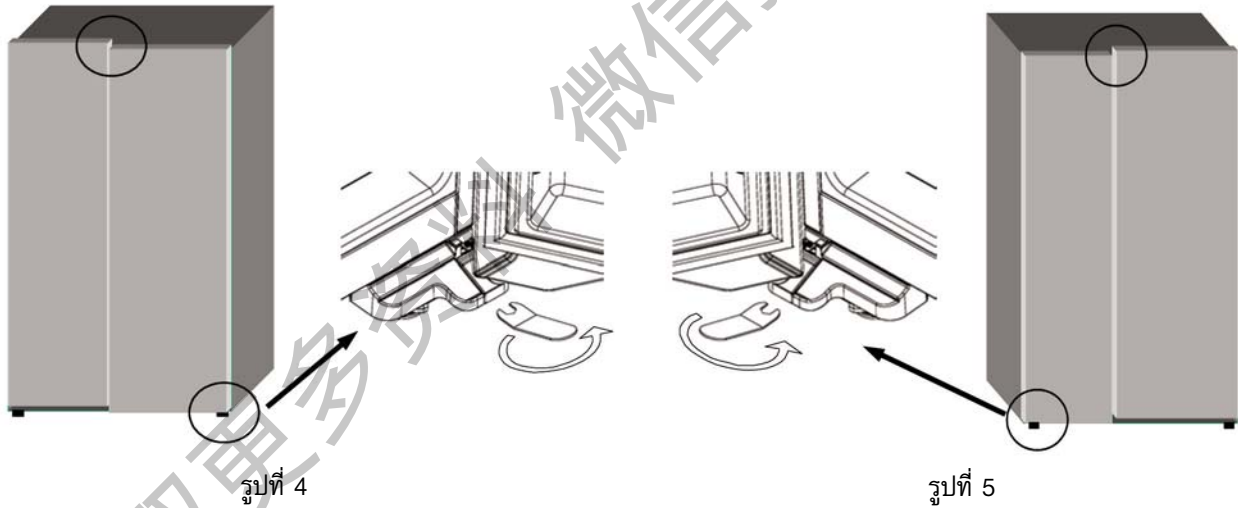
- หากตู้อยู่ในแนวระนาบ พนักด้านข้างควรเป็นแนวตั้งหรือตั้งตรง หากมีการสร้างหรือติดตั้งตู้ติดผนัง ขอให้ตรวจสอบแนวข้างของตู้ติดผนังกับตู้ตั้งพื้นด้วย ตั้งทำแนวกับตู้ติดพื้น ให้มีช่องว่างเป็นแนวขนานเท่ากัน ด้านบนของตู้เย็นจะต้องเป็นแนวระนาบ ให้ช่องว่างขนานเป็นแนวอน ปรับล้อเลื่อนด้านหน้าสำหรับพื้นที่ไม่เรียบ โดยปรับล้อเลื่อนด้านนี้ลง ( รูปที่ 3a )



รูปที่ 3a

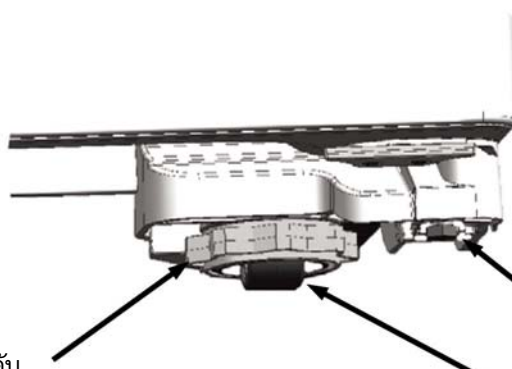
## การปรับแนวของประตูตู้เย็น

- ประตูแต่ละด้านสามารถปรับระดับได้ในแนวตั้งเป็นอิสระจากกัน โดยหมุนสลักเกลียวใต้บานพับ (ดูรูปที่ 6) ประตูสามารถปรับขึ้นหรือลงได้ ซึ่งอาจปรับระดับประตูเพียงข้างเดียวก็พอขึ้นอยู่กับปริมาณที่จำเป็นต้องปรับ
- หมายเหตุ: เมื่อปรับความสูงของเกลียวหมุนและล้อเลื่อนเรียบร้อยแล้ว ตู้เย็นจะต้องตั้งโดยไม่โยกเยก และแนวประตูของตู้ทั้งสองด้านจะต้องเสมอกัน



รูปที่ 4

รูปที่ 5



เกลียวพลาสติกปรับระดับ  
ขนาดใหญ่ที่ล้อเลื่อน

รูปที่ 6

สลักเกลียวปรับระดับประตู

ล้อเลื่อนด้านหน้า

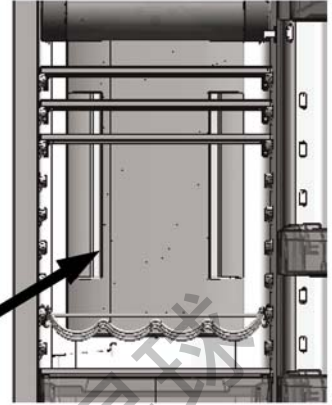
# การติดตั้งทั่วไป

## บรรจุภัณฑ์ภายในตู้

โปรดนำบรรจุภัณฑ์ที่อยู่ภายในตู้ออกให้หมดก่อนใช้งาน

สำหรับตู้เย็นรุ่น WSE6070W และ WSE6070S จะมีแผ่นฟิล์มติดมากับท่อมัลติโฟลว์ที่ด้านหลังในตัวตู้เย็น โปรดดึงแผ่นฟิล์มนี้ออกก่อนใช้งาน เพราะอาจเป็นอุปสรรคต่อการไหลเวียนของอากาศภายในตู้ได้

ท่อมัลติโฟลว์



## รุ่น Ice and Water

การต่อท่อน้ำเข้าเครื่องที่มีระบบทำน้ำเย็นและน้ำแข็ง ควรจะให้ช่างติดตั้งตู้เย็น ช่างประปา หรือช่างไฟที่มีความเชี่ยวชาญเป็นผู้ติดตั้ง ข้อมูลรายละเอียดต่างๆ เกี่ยวกับการต่อท่อน้ำมีอยู่ในชุดคู่มือการต่อระบบน้ำที่ให้มาพร้อมเครื่อง และควรให้ช่างที่มีความเชี่ยวชาญเป็นผู้ติดตั้งเท่านั้น

หัวจ่ายน้ำเย็นและน้ำแข็งจะต้องต่อกับท่อน้ำดื่มที่มีแรงดัน

- อย่างต่ำ 206 kPa (30 psi, 2.11 kgf/ตารางซม.)
- ไม่เกิน 689 kPa (100 psi, 7.04 kgf/ตารางซม.)

แรงดันน้ำในบางพื้นที่อาจจะสูงกว่านี้มากเนื่องจากสภาพในแต่ละท้องถิ่น ซึ่งในพื้นที่ดังกล่าวจะต้องติดตั้งวาล์วลดแรงดันน้ำ ขอให้ช่างประปาหรือช่างติดตั้งตู้เย็นตรวจสอบแรงดันน้ำในพื้นที่ก่อนทำการติดตั้งตู้เย็น

หากคุณใช้ตู้เย็นเป็นครั้งแรก หรือหากไม่ได้ใช้หัวจ่ายน้ำมาเป็นเวลานาน

- เทน้ำ 7 หรือ 8 แก้วแรกทิ้งไป
- เทน้ำแข็งที่ได้จากเครื่องทำน้ำแข็งทิ้งในช่วง 24 ชม.แรก (เพราะอาจมีสารปนเปื้อนตกค้างอยู่ในท่อน้ำได้)

(ดูรายละเอียดเพิ่มเติมในหน้า 8 และ 16)

# การใช้งานเบื้องต้น

## การทำงานของตู้เย็น/ช่องแช่แข็ง

### ปกติแล้วด้านข้างและด้านหลังของตู้จะร้อน

บริเวณนี้จะค่อนข้างร้อน เพราะตู้เย็นถ่ายเทความร้อนจากอาหารที่เก็บในตู้ออกมายังอากาศภายนอก

ตู้เย็นรุ่นนี้ติดตั้งคอยล์เย็นที่ด้านหลังตรงส่วนของช่องแช่แข็ง ทำหน้าที่ให้ความเย็นและขจัดความชื้นออกจากอากาศ จากนั้นพัดลมที่ตั้งอยู่ทางด้านหลังของช่องแช่แข็ง จะทำหน้าที่เป่าอากาศเย็นและแห้งให้ไหลเวียนทั่วตู้

อากาศเย็นที่ไหลเวียนทั่วตู้จะให้ความเย็นแก่อาหาร ได้รวดเร็วกว่าตู้เย็นที่มีการไหลเวียนของไอเย็นต่ำ

### หลีกเลี่ยงการวางอาหารกีดขวางช่องทางไหลเวียนของอากาศ เพราะจะมีผลกระทบต่อการทำงานของตู้เย็น

อัตราการแช่แข็งอาจลดลงบ้างเวลาที่มีการเปิดฝาตู้แช่แข็งบ่อย ซึ่งเป็นอาการปกติ และจะหายไปเองหลังจากนั้นไม่กี่วันในสภาพอากาศส่วนใหญ่

ดูให้แน่ใจทุกครั้งว่าปิดฝาตู้สนิทดีแล้วทั้งในส่วนช่องแช่แข็งและช่องแช่เย็น หลังจากนำอาหารมาใส่หรือนำออกจากตู้ หากปิดฝาตู้ไม่สนิท ในช่องแช่แข็งจะมีหยดน้ำเกาะอยู่จำนวนมาก หากเกิดหยดน้ำขึ้นให้เช็คดูจากนั้นปิดฝาตู้ให้สนิท หยดน้ำก็จะไม่เกิดขึ้นอีก

ตู้เย็นรุ่นนี้มีประสิทธิภาพในการทำงานสูง เพราะใช้คอมเพรสเซอร์ความเร็วสูง และส่วนประกอบที่มีประสิทธิภาพ ซึ่งอาจมีเสียงเวลาทำงานแตกต่างจากตู้เย็นเครื่องเก่าของคุณ เสียงเหล่านี้เป็นเรื่องปกติ และสามารถสรุปได้ว่า

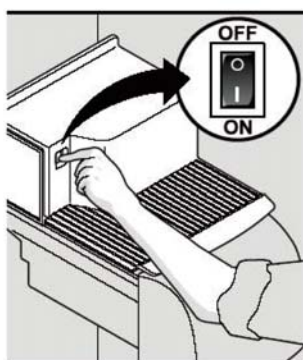
- เป็นเสียงที่เกิดจากการทำงานของคอมเพรสเซอร์
- เป็นเสียงที่เกิดจากการไหลเวียนของอากาศที่ขับเคลื่อนโดยมอเตอร์พัดลมขนาดเล็ก
- เสียงดังคล้ายน้ำเดือดเป็นครั้งคราว
- เสียงป๊อกที่เกิดขึ้นขณะละลายน้ำแข็ง
- เสียงคลิกก่อนคอมเพรสเซอร์จะเริ่มทำงาน

เสียงเหล่านี้เป็นเรื่องปกติ ไม่ใช่สัญญาณบอกเหตุอันใด

ดูรายละเอียดเพิ่มเติมได้ในหน้า 27

## การเริ่มต้นใช้งานเครื่องทำน้ำแข็ง

หากไม่ได้ต่อท่อน้ำเข้าเครื่องทำน้ำแข็ง ให้ตรวจสอบว่าได้ปิดเครื่องทำน้ำแข็งแล้ว ซึ่งสามารถปิดได้ด้วยการปิดสวิตช์ I/O ไปที่ตำแหน่ง “0” (ปิด) (ดูรูปที่ 7)



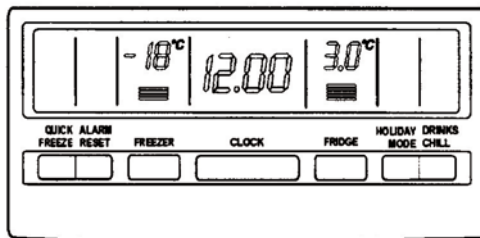
รูปที่ 7

หากต่อท่อน้ำเข้าเครื่องทำน้ำแข็งไว้ ให้ตรวจสอบว่าได้เปิดเครื่องแล้ว ซึ่งสามารถเปิดได้ด้วยการเปิดสวิตช์ I/O ไปที่ตำแหน่ง “1” (เปิด) (ดูรูปที่ 7)

# การใช้งานตู้เย็น

## หน้าจอแสดงผลอิเล็กทรอนิกส์

หน้าจอแสดงผลอิเล็กทรอนิกส์ติดตั้งอยู่ในช่องเก็บอาหารที่ด้านหลังบน ประกอบด้วยจอ LCD สีฟ้า และปุ่มกด 7 ปุ่ม เมื่อเปิดเครื่องเป็นครั้งแรก คุณจะเห็นค่าเริ่มต้นที่ตั้งมาจากโรงงานตามรูปที่ 8 ด้านล่าง โดยมีสีฟ้าสว่างอยู่บนหน้าจอ

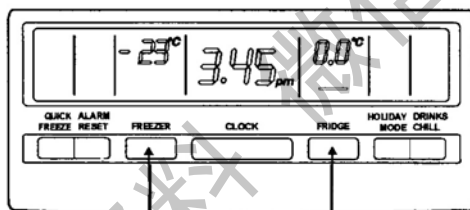


รูปที่ 8

## การปรับอุณหภูมิ

ตู้เย็นนี้ตั้งอุณหภูมิเริ่มต้นไว้ที่ 3 องศาเซลเซียส โดยมีอุณหภูมิเริ่มต้นสำหรับช่องแช่แข็งที่ -18 องศาเซลเซียส หากต้องการเปลี่ยนอุณหภูมิขอให้ปฏิบัติตามข้อแนะนำด้านล่างนี้ คุณควรปรับอุณหภูมิเพียงเล็กน้อยเท่านั้นและควรรอประมาณ 24 ชม. เพื่อดูว่าควรปรับอุณหภูมิเพิ่มเติมหรือไม่

**หมายเหตุ:** อุณหภูมิที่ตั้งมาพร้อมเครื่องเป็นอุณหภูมิเฉลี่ยภายในตู้เย็นทั้งหมด ช่องเก็บของในตู้อาจมีอุณหภูมิแตกต่างกันได้ขึ้นอยู่กับปริมาณอาหารที่แช่และจุดที่วาง นอกจากนี้อุณหภูมิโดยรอบห้องไม่ว่าจะสูงหรือต่ำก็อาจมีผลต่ออุณหภูมิที่แท้จริงภายในตู้ด้วย



รูปที่ 9

### การปรับอุณหภูมิในช่องแช่แข็ง

กดปุ่ม Freezer เพื่อลดอุณหภูมิลงครั้งละ 1 องศาเซลเซียส เมื่อลดลงถึงระดับ -23 องศาเซลเซียส หน้าจอจะกลับสู่อุณหภูมิ -14 องศาเซลเซียส เมื่อกดปุ่มครั้งต่อไป คุณจะสังเกตเห็นว่ากราฟแท่งจะมีขนาดเล็กลงเมื่อตั้งอุณหภูมิลดลง หากตั้งอุณหภูมิที่ -14 องศาเซลเซียส กราฟแท่งจะกระพริบนานต่อเนื่องกัน เพื่อเตือนให้ทราบว่าช่องแช่แข็งเย็นไม่พอสำหรับการเก็บอาหารแช่แข็งเป็นเวลานาน

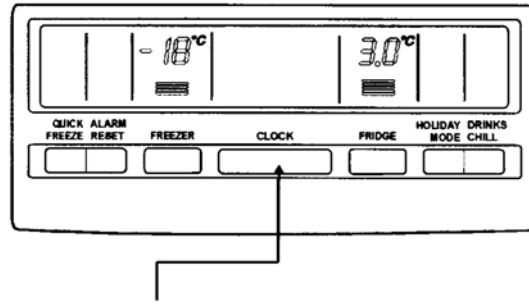
### การปรับอุณหภูมิในตู้เย็น

กดปุ่ม Fridge เพื่อลดอุณหภูมิลงครั้งละ 1 องศาเซลเซียส เมื่อลดลงถึงระดับ 0 องศาเซลเซียส หน้าจอจะกลับสู่อุณหภูมิ 7.0 องศาเซลเซียส เมื่อกดปุ่มครั้งต่อไป โดยกราฟแท่งจะมีขนาดเล็กลงเมื่อตั้งอุณหภูมิลดลง

**หมายเหตุ:** การแช่ไอศกรีมเป็นวิธีทดสอบอุณหภูมิในช่องแช่แข็งได้ดีที่สุด ส่วนการแช่น้ำเป็นวิธีที่ดีที่จะใช้ตรวจสอบอุณหภูมิในช่องแช่เย็น

# การใช้งานตู้เย็น

## การเปิดและปิดนาฬิกา

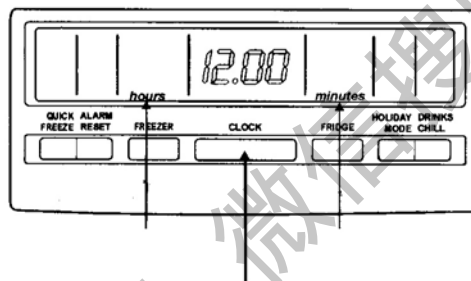


รูปที่ 14

กดปุ่ม Clock เพื่อเปิดหรือปิดหน้าจอแสดงเวลา (รูปที่ 14)

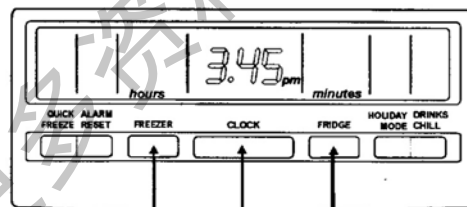
หมายเหตุ: เวลาจะยังคงเดินอยู่ แม้จะปิดไม่แสดงเวลาบนหน้าจอก็ตาม

## การตั้งนาฬิกา



รูปที่ 15

1. กดปุ่ม Clock ค้างไว้ นาน 2 วินาที ตัวเลขชั่วโมงและนาทีจะปรากฏขึ้นบนหน้าจอตามรูปที่ 15



รูปที่ 16

2. ขณะกดปุ่ม Clock ค้างไว้ ให้กดปุ่ม Freezer เพื่อเปลี่ยนตัวเลข ชั่วโมงขึ้น (กดปุ่ม Freezer ค้างไว้ เพื่อเปลี่ยนตัวเลขต่อเนื่องแบบรวดเร็ว) หลังจากเปลี่ยนตัวเลขผ่านไป 12 ชั่วโมงแรก สัญลักษณ์ PM จะปรากฏขึ้น

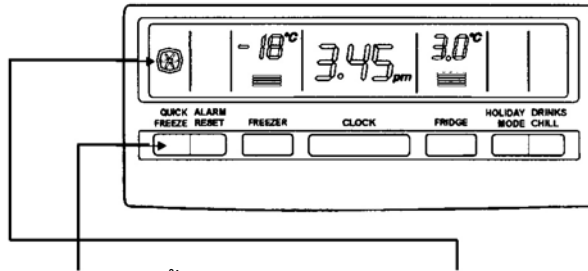
3. ขณะกดปุ่ม Clock ค้างไว้ ให้กดปุ่ม Frigde เพื่อเปลี่ยนตัวเลข นาทีขึ้น (กดปุ่ม Frigde ค้างไว้ เพื่อเปลี่ยนตัวเลขต่อเนื่องแบบรวดเร็ว)

4. เมื่อได้เวลาที่ถูกต้องแล้ว จึงปล่อยปุ่ม

# การใช้งานตู้เย็น

## ฟังก์ชันแช่แข็งแบบรวดเร็ว

ให้ใช้ฟังก์ชันแช่แข็งแบบรวดเร็วเมื่อเพิ่มปริมาณอาหารในช่องแช่แข็ง เพื่อแช่แข็งอาหารได้อย่างรวดเร็ว

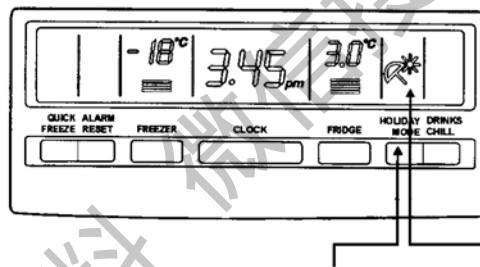


รูปที่ 17

ในการใช้ฟังก์ชันนี้ให้กดปุ่ม Quick Freeze หนึ่งครั้ง ไอคอนที่เป็นภาพเคลื่อนไหวจะติดเหนือปุ่มดังกล่าว ฟังก์ชันแช่แข็งแบบรวดเร็วจะทำงานนาน 90 นาที หากต้องการปิดฟังก์ชันนี้ก่อนครบเวลา 90 นาที เพียงแค่กดปุ่ม Quick Freeze ซ้ำอีกครั้ง ไอคอนเหนือปุ่มจะดับและตู้เย็นจะกลับไปทำงานตามปกติ

## โหมดการทำงานในวันหยุด

ให้ใช้โหมดการทำงานในวันหยุด เมื่อไปเที่ยวหรือไม่อยู่บ้านเป็นเวลานานๆ ในโหมดนี้ตู้เย็นจะละลายน้ำแข็งน้อยลง เพื่อประหยัดพลังงาน แต่จะรักษาระดับความเย็นตามที่ตั้งไว้

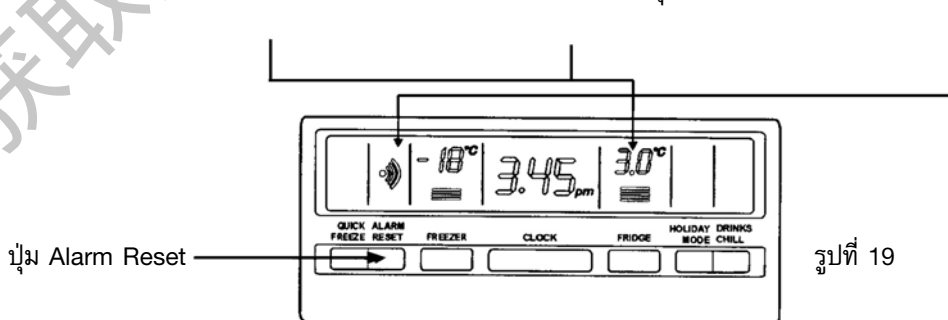


รูปที่ 18

ในการใช้ฟังก์ชันการทำงานในวันหยุด ให้กดปุ่ม Holiday หนึ่งครั้ง ไอคอนที่เป็นภาพเคลื่อนไหวจะติดเหนือปุ่มดังกล่าว ฟังก์ชันการทำงานในวันหยุดจะทำงาน จนกว่าจะกดปุ่มนี้ใหม่อีกครั้ง หรือมีการเปิดตู้เย็น

## เสียงเตือนเปิดประตูทิ้งไว้

ถ้าเปิดประตูตู้เย็นทิ้งไว้นานเกิน 2 นาที จะมีเสียงเตือนดังขึ้น และไอคอนเหนือปุ่ม Alarm Reset จะกระพริบ พร้อมกับอุณหภูมิที่ตั้งไว้และกราฟแท่ง



รูปที่ 19

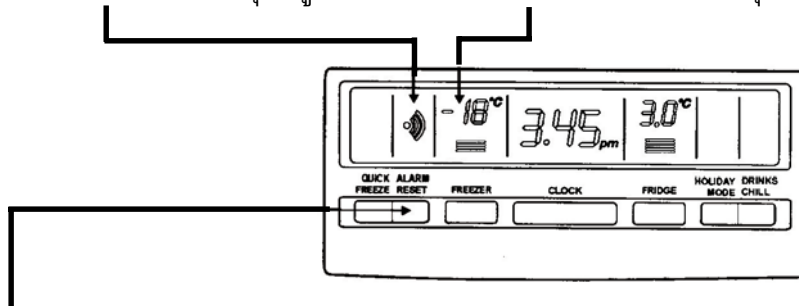
หากเสียงเตือนดังขึ้นโดยไม่มีเหตุผล ให้ตรวจสอบว่ามีของกีดขวางทางทำให้ปิดประตูได้ไม่สนิทหรือไม่ เมื่อปิดประตูสนิทแล้วให้กดปุ่ม Alarm Reset ต่อไปอีก 2 นาที หากต้องการเปิดประตูทิ้งไว้ ขณะใส่ของเข้าตู้ ก็สามารถปิดเสียงเตือนได้นาน 8 นาที โดยกดปุ่ม Alarm Reset



# การใช้งานตู้เย็น

## เสียงเตือนอุณหภูมิในช่องแช่แข็ง

หากอุณหภูมิในช่องแช่แข็งเย็นไม่มากพอ แสดงว่าปิดฝาช่องแช่แข็งไม่สนิท หรือนำอาหารที่ยังไม่เย็นเข้าไปวางใกล้เซ็นเซอร์ตรวจวัดอุณหภูมิในช่องแช่แข็งมากเกินไป ( ดูหน้า 4 ชั้นส่วนต่างๆของตู้เย็นสำหรับจุดที่มีเซ็นเซอร์ ) จะมีเสียงเตือนดังขึ้น ไอคอนเหนือปุ่ม Alarm Reset จะกระพริบขึ้นพร้อมกับอุณหภูมิในช่องแช่แข็งและกราฟแท่ง จนกว่าจะกดปุ่ม Alarm Reset



รูปที่ 20

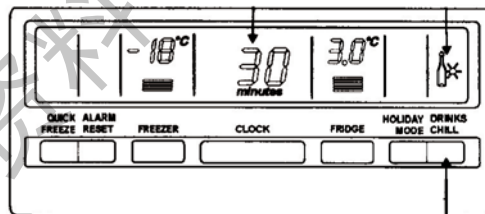
กดปุ่ม Alarm Reset เพื่อปิดเสียงเตือน ( อุณหภูมิของช่องแช่แข็งและกราฟแท่งจะกระพริบนาน 15 นาที ) ดูให้แน่ใจว่าไม่มีสิ่งของกีดขวางทางปิดฝาช่องแช่แข็ง และขยับอาหารที่ยังไม่เย็นออกให้ห่างจากเซ็นเซอร์ตรวจวัดอุณหภูมิ ( หน้า 4 ) หากอุณหภูมิในช่องแช่แข็งเย็นไม่มากพอ จะมีเสียงเตือนดังขึ้นอีกครั้งภายใน 50 นาที แสดงว่าตู้เย็นทำงานผิดปกติ

## นาฬิกาตั้งเวลาสำหรับแช่น้ำดื่ม

หากตั้งเวลาแช่น้ำดื่มไว้ เสียงเตือนจะดังขึ้นเพื่อเตือนให้ทราบว่าน้ำดื่มทิ้งไว้ในช่องแช่แข็ง

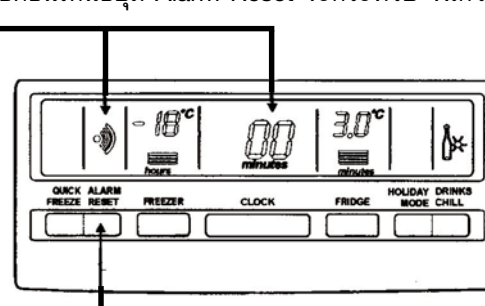
ระยะเวลาที่แนะนำสำหรับการแช่น้ำดื่มเป็นเกรด

- 10 นาทีสำหรับน้ำกระป๋อง
- 20 นาทีสำหรับขวดไวน์
- 30 นาทีสำหรับขวดน้ำดื่ม



รูปที่ 21

ในการใช้นาฬิกาตั้งเวลา ให้กดปุ่ม Drinks Chill (ดูรูป 21) ไอคอนที่เป็นภาพเคลื่อนไหวจะปรากฏขึ้นเหนือปุ่ม และนาฬิกาตั้งเวลาถอยหลังจะเปิดแสดงบนหน้าจอแทนที่เวลา กดหนึ่งครั้งเพื่อตั้งเวลาถอยหลัง 10 นาที สองครั้ง 20 นาที และสามครั้ง 30 นาที กดสี่ครั้งเพื่อปิดนาฬิกาตั้งเวลา โดยจะนับถอยหลังช่วงละ 1 นาที คุณสามารถเปลี่ยนเวลาหรือปิดนาฬิกาตั้งเวลาได้แม้จะเริ่มนับถอยหลังแล้วก็ตามเมื่อสิ้นสุดเวลาที่ตั้งไว้ จะมีเสียงเตือนดังขึ้น และไอคอนเหนือปุ่ม Alarm Reset จะกระพริบ จนกว่าจะมีการกดปุ่ม Alarm Reset (ดูรูป 22)



รูปที่ 22

ในการหยุดหรือปิดนาฬิกาตั้งเวลา ให้กดปุ่ม Alarm Reset หากน้ำที่แช่ไว้เป็นเกรดแล้วให้นำออกจากช่องแช่แข็ง หากยังไม่พอ ให้ตั้งฟังก์ชันแช่น้ำดื่มเป็นเกรด (ระลึกไว้ด้วยว่าน้ำดื่มนั้นเย็นเป็นเกรดบางส่วนแล้ว)

# การใช้งานตู้เย็น

## คุณสมบัติด้านอิเล็กทรอนิกส์อื่นๆของตู้เย็น

### ตู้เย็นของคุณ

- ควบคุมการทำงานของคอมเพรสเซอร์และพัดลมเป็นอิสระจากกัน เพื่อประสิทธิภาพในการทำงานสูงสุด
- เพิ่มระดับความเย็นได้ขึ้นอยู่กับจำนวนครั้งในการเปิดประตูตู้
- ละลายน้ำแข็งอัตโนมัติในช่วงที่ไม่ได้เปิดประตูตู้บ่อยๆ
- มีระบบสำรองข้อมูลในหน่วยความจำของจอแสดงผล 90 วินาที เพื่อเก็บเวลาและอุณหภูมิที่ตั้งไว้ในช่วงที่ไฟดับสั้นๆ และ
- มีระบบไฟส่องสว่างสีฟ้าซึ่งจะทำงานทุกครั้งที่มีการเปิดประตูตู้เย็น

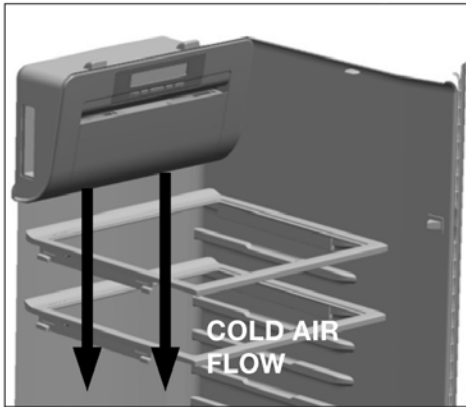
**หมายเหตุ:** หากจอแสดงผลทำงานผิดปกติ อาจเป็นเพราะมีไฟดับช่วงสั้นๆ หากเกิดปัญหาดังกล่าวขึ้นขอให้ปิดสวิตช์ไฟเข้าตู้เย็นแล้วรอทำ  
นาที่ให้ตู้เย็นได้ปรับสมดุลแรงดันในตู้ ก่อนจะเปิดสวิตช์ไฟให้ไฟเข้า

获取更多资料 微信搜索蓝领星球

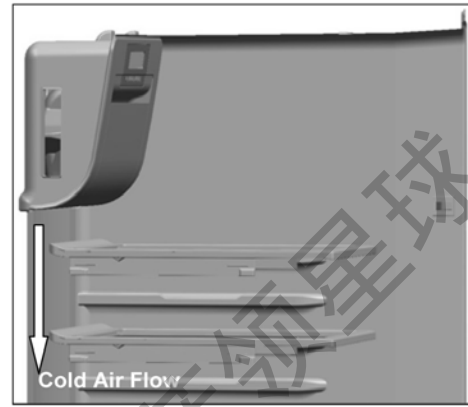
# การใช้งานตู้เย็น

## การแก้ไขปัญหาเบื้องต้นเกี่ยวกับอุณหภูมิ

1. ไม้วางจาน ถาด หรือสิ่งของที่ยื่นไปจนชิดขอบของชั้นวาง เพราะอาจปิดกั้นไอนเย็นที่ไหลเวียนในตัว ทำให้อุณหภูมิเย็นไม่ทั่วถึง และเย็นเฉพาะชั้นบนๆ เท่านั้น

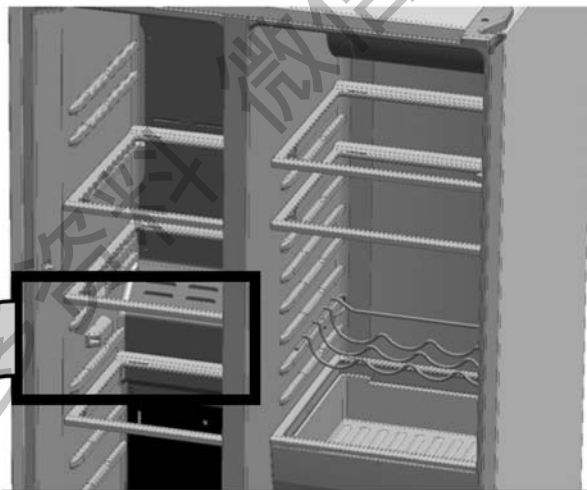


รูปที่ 10

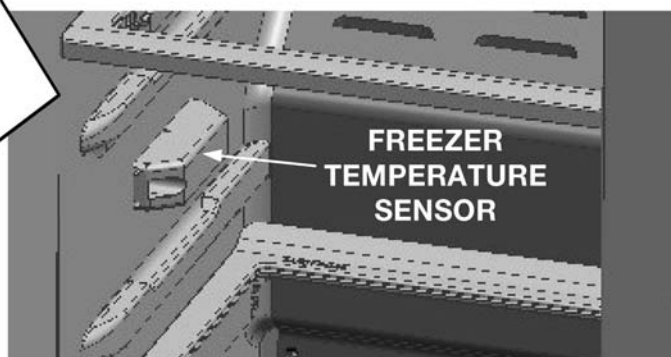


รูปที่ 11

2. หลีกเลี่ยงการใส่อาหารปิดเซ็นเซอร์ตรวจจับอุณหภูมิในช่องแช่แข็ง เพราะอาจส่งผลกระทบต่ออุณหภูมิในช่องแช่แข็งได้ หากใส่อาหารที่ยังอุ่นอยู่ไว้ใกล้เซ็นเซอร์โดยไม่ตั้งใจ อาจทำให้สัญญาณเตือนอุณหภูมิในช่องแช่แข็งดังนานถึง 50 นาที หลังจากใส่อาหารที่ยังอุ่นไว้ใกล้เซ็นเซอร์



รูปที่ 12



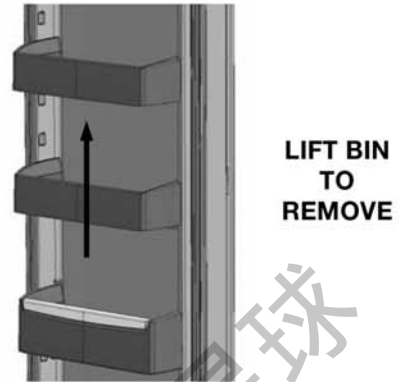
รูปที่ 13

# การใช้งานตู้เย็น

## คุณสมบัติของช่องแช่อาหาร

### ช่องเก็บอาหารข้างประตู

ทั้งตู้เย็นและช่องแช่แข็งต่างก็มีช่องใส่ของข้างประตู คุณสามารถปรับระดับให้ตรงตามความต้องการได้ ทุกช่องสามารถถอดล้างทำความสะอาดได้ หากต้องการถอดออกหรือปรับระดับให้ยกขึ้นพื้นเดียวที่รองรับอยู่ หากต้องการล็อกกลับเข้าที่ ให้เลื่อนลงจนเข้าที่ (ดูรูป 23)



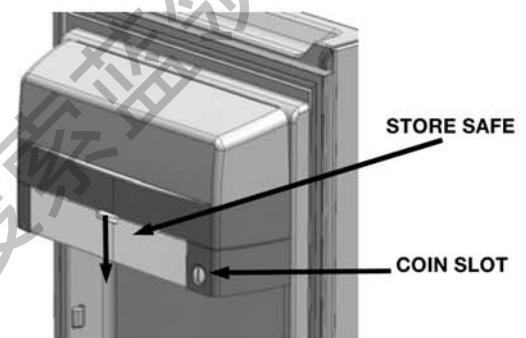
รูปที่ 23

### ช่องเก็บนมเนย

คุณสามารถใช้ช่องเก็บอาหารนมเนย เพื่อเก็บอาหารอย่างเนยสด มากรีน และเนยแข็งได้ ช่องนี้มีอุณหภูมิสูงกว่าส่วนอื่นเล็กน้อย

### ช่องเก็บของพิเศษ

ช่องเก็บของพิเศษเป็นช่องเก็บที่สามารถใช้เหรียญล็อกได้ (ดูรูป 24) หากต้องการล็อกให้หมุนที่ช่องเหรียญทวนเข็มนาฬิกาจนอยู่ในแนวนอน หากต้องการปลดล็อกให้หมุนตามเข็มนาฬิกาจนอยู่ในแนวตั้ง หากต้องการเปิดช่องเก็บของนิรภัย ให้ใช้นิ้วโป้งกดปุ่มลงแล้วดึงฝาปิดออก



รูปที่ 24

### Crisper Bin

คุณสามารถใช้ Crisper Bin เก็บผัก ผลไม้ หรือของที่มีขนาดเล็กได้ และยังเปลี่ยนระดับความชื้นภายในช่องนี้ได้ด้วยการเลื่อนปุ่มปรับความชื้นอีกด้วย (ดูรูปที่ 25)

### การเก็บผัก

คุณควรเก็บผักไว้ใน Crisper Bin โดยเลื่อนปุ่มปรับความชื้นไปที่ข้อความว่าผัก

### การเก็บผลไม้และของที่มีขนาดเล็ก

คุณสามารถเก็บผลไม้และของที่มีขนาดเล็กไว้ใน Crisper Bin ได้ โดยเลื่อนปุ่มปรับความชื้นไปที่ข้อความว่าผลไม้

### การถอด Crisper Bin

Crisper Bin สามารถถอดออกได้โดยดึงออกจนถึงจุดที่ไม่สามารถดึงออกได้ จากนั้นยกถาดขึ้นแล้วดึงมาด้านหน้า



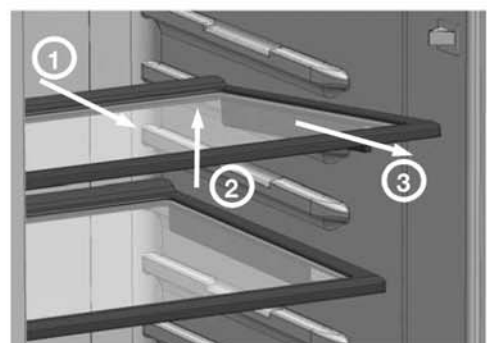
รูปที่ 25

### ชั้นแก้วที่สามารถเลื่อนออกได้

เพื่อให้หยิบอาหารได้ง่ายขึ้นทั้งช่องแช่เย็นและช่องแช่แข็งจึงมีชั้นแก้วติดตั้งไว้ ทำตามขั้นตอนต่อไปนี้ เพื่อถอดชั้นออก (ดูรูป 26)

1. ดึงชั้นออกมาด้านหน้าจนถึงจุดที่ไม่สามารถดึงออกได้
2. ยกชั้นแก้วขึ้นเล็กน้อยเพื่อให้หลุด
3. ดึงชั้นแก้วออกทางด้านหน้า

การใส่ชั้นแก้วกลับเข้าที่เดิมสามารถทำได้โดยดูให้ตีว่าไม่มีอะไรขวางทางอยู่ด้านหลังค่อยๆดันชั้นเข้าตู้แล้วเลื่อนจนเข้าที่



รูปที่ 26

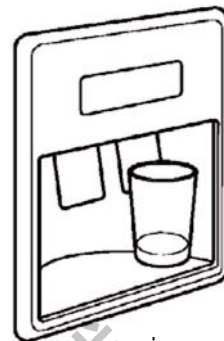
# ช่องจ่ายน้ำและน้ำแข็งอัตโนมัติ

## คุณสมบัติของช่องจ่ายน้ำและน้ำแข็ง

ช่องจ่ายน้ำและน้ำแข็งช่วยเพิ่มความสะดวกในการเติมน้ำเย็น น้ำแข็งก้อน และน้ำแข็งบด

วิธีใช้ช่องจ่ายน้ำแข็ง ให้กดแป้นเลือกช่องจ่ายน้ำแข็ง แล้วใช้แก้วดันคันโยก ถือกแก้วให้ขอบอยู่ใกล้กับหัวจ่ายน้ำแข็งมากที่สุด เพื่อรับน้ำแข็งได้หมด ดึงแก้วออกเมื่อต้องการหยุดรับน้ำแข็ง อย่าดึงแก้วออกจนกว่าน้ำแข็งจะออกมาหมด

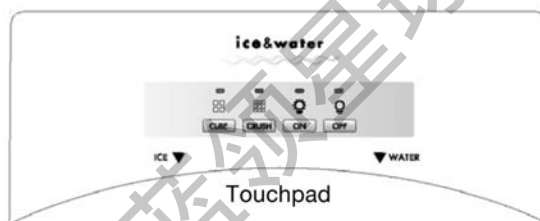
วิธีใช้ช่องจ่ายน้ำ ให้กดแป้นเลือกช่องจ่ายน้ำ แล้วใช้แก้วดันคันโยก ดึงแก้วออกเมื่อต้องการหยุดรับน้ำ ถาดรองน้ำใต้ช่องจ่ายจะทำหน้าที่รองรับน้ำที่กระเด็นออกนอกแก้ว แล้วปล่อยให้ระเหยไปเอง ถาดนี้สามารถถอดออกและนำไปล้างในเครื่องล้างจานได้ อย่าเทน้ำหรือน้ำแข็งลงในถาด เพราะถาดนี้ไม่มีทางระบายน้ำออก



รูปที่ 27

## ไฟที่ช่องจ่าย

ที่ช่องจ่ายจะมีไฟซึ่งสามารถเปิดปิดได้ด้วยการกดปุ่มเปิด-ปิดไฟบนแป้นสัมผัสได้ (ดูรูปที่ 28) คุณสามารถเปลี่ยนหลอดใหม่ที่มีขนาดเท่ากันซึ่งสามารถหาซื้อได้จากศูนย์บริการของ Electrolux ใกล้บ้านท่าน ดูข้อมูลเพิ่มเติมได้ในหน้า 19



รูปที่ 28

## การทำงานของช่องจ่ายน้ำ

เมื่อต่อท่อน้ำเข้าตู้เย็นแล้ว ให้น้ำไหลเข้าถังโดยการใช้แก้วดันคันโยกไว้นานประมาณ  $1\frac{1}{2}$  นาทีที่กว่าน้ำจะเริ่มไหลเข้าถัง กดน้ำต่ออีกประมาณ 3 นาทีเพื่อจัดตรวจสอบสกปรกในถังน้ำและท่อต่อ น้ำจะเติมเข้าถังเองโดยอัตโนมัติ เมื่อกดน้ำที่ช่องจ่าย จงจำไว้ว่าอย่าเติมน้ำที่กดออกมาตอนนี้ เพราะอาจมีสิ่งสกปรกเจือปน

ถังน้ำติดตั้งอยู่ที่ด้านหลังของ Crisper Bin ในตู้เย็น

### การทำงานปกติ - หากต้องการน้ำเย็นจัดให้เติมน้ำแข็งเพิ่ม

เพื่อให้น้ำกรองอยู่ในตำแหน่งเดียวกันกับช่องจ่ายน้ำแข็ง จะต้องเดินท่อน้ำจากตู้เย็น หมายความว่าน้ำครึ่งแก้วแรกจะไม่เย็นเท่ากับน้ำ 3 หรือ 4 แก้วต่อมา หากคุณต้องการเติมน้ำเย็นจัดตั้งแต่แก้วแรก ขอแนะนำให้เติมน้ำแข็งเกรด หรือน้ำแข็งก้อนลงในแก้วก่อนนั้นจึงกดน้ำ

เมื่อกดน้ำในถังออกจนหมด อุณหภูมิของน้ำที่จ่ายออกจากถังน้ำจะเท่ากับน้ำประปาทั่วไป จนกว่าน้ำในถังจะเริ่มเย็นใหม่ ซึ่งสามารถเติมน้ำแข็งเกรดหรือน้ำแข็งก้อนเพื่อให้เย็นได้



**ข้อควรระวัง:** สารเคมีจากเครื่องฟอกน้ำกระด้างที่ทำงานผิดปกติอาจทำให้เครื่องทำน้ำแข็งเสียหายได้ หากน้ำที่ต่อเข้าตู้เป็นน้ำกระด้าง ขอให้ตรวจเช็คให้ดูว่าเครื่องฟอกน้ำกระด้างได้รับการบำรุงรักษาอย่างดี และทำงานเป็นปกติ

## การทำงานของช่องจ่ายน้ำแข็ง



รูปที่ 29

เครื่องทำน้ำแข็งและกล่องบรรจุน้ำแข็งติดตั้งอยู่ที่ด้านบนของช่องแช่แข็ง หลังจากติดตั้งตู้เย็นเรียบร้อย และทิ้งไว้ให้ทำงานประมาณสองสามชั่วโมงแล้วเครื่องทำน้ำแข็งจะเริ่มทำงาน และพร้อมจ่ายน้ำแข็งชุดแรกได้ภายใน 24 ชม. น้ำแข็งที่ได้อาจจะไม่เต็มถาดในครั้งแรกๆ เนื่องจากมีอากาศในท่อน้ำของตู้เย็น

เริ่มต้นทำน้ำแข็งด้วยการกดสวิตช์ I/O ไปที่ตำแหน่ง ON ("I") หากเครื่องยังไม่จ่ายน้ำแข็งเข้ากล่องบรรจุ อาจต้องทิ้งไว้ประมาณ 2 วันเพื่อให้ น้ำแข็งเต็ม เครื่องจะหยุดทำน้ำแข็งเองโดยอัตโนมัติ เมื่อถาดใส่น้ำแข็งเต็ม เครื่องทำน้ำแข็งสามารถปิดได้ โดยกดสวิตช์ I/O ไปที่ตำแหน่ง OFF (ดูรูปที่ 29)

น้ำแข็งชุดแรกๆ อาจมีสีต่างหรือรสแปลกๆ เนื่องจากท่อน้ำในตู้ยังใหม่อยู่ เททิ้งจนกว่าจะได้น้ำแข็งที่สีไม่ต่างและไม่มีปัญหาเรื่องรสชาติ

# ช่องจ่ายน้ำและน้ำแข็งอัตโนมัติ

## ข้อแนะนำในการใช้ช่องจ่ายน้ำแข็ง

- น้ำแข็งที่เก็บไว้นานๆ อาจมีกลิ่น ให้เททิ้งและดูให้แน่ใจว่าดิงค์โยกลงมาที่ตำแหน่งเปิดแล้ว เพื่อให้เครื่องทำน้ำแข็งเพิ่ม
- เชย่่าถาดเป็นครั้งคราวเพื่อน้ำแข็งจะได้ไม่เกาะตัว
- หลังจากรับมือบตู้เย็นแล้ว จะต้องกดสวิทช์ I/O ไปที่ตำแหน่ง 0 (ปิด) จนกว่าจะต่อท่อ น้ำ สวิทช์ I/O ควรจะอยู่ในตำแหน่ง 0 (ปิด) เสมอเมื่อปิดก๊อกน้ำ



**ข้อควรระวัง:** หากดันคันโยกค้างไว้นานเกินกว่า 4 นาทีมอเตอร์อาจทำงานหนักและหยุดเดินได้ ตัวป้องกันการโอเวอร์โหลดจะทำการรีเซ็ตเองหลังจากผ่านไป 3 หรือ 4 นาที

- หากต้องการใช้น้ำแข็งจำนวนมาก ให้ตัดจากถาดใส่น้ำแข็งโดยตรง
- เมื่อเครื่องทำน้ำแข็งทำงาน จะได้ยินเสียงเหล่านี้เป็นปกติ
  - เสียงมอเตอร์เดิน
  - เสียงน้ำแข็งหล่นลงถาด
  - เสียงเปิดปิดวาล์วน้ำ
  - เสียงน้ำแข็งคลายตัวในถาด

## การทำความสะอาดช่องจ่ายน้ำแข็ง

ทำความสะอาดช่องจ่ายและภาชนะรับน้ำแข็งเป็นประจำ โดยเฉพาะในช่วงก่อนเดินทางไปพักผ่อนหรือย้ายบ้าน และทำความสะอาดหัวจ่ายหากติดขัด

วิธีทำความสะอาดหัวจ่าย

1. ดึงถาดใส่น้ำแข็งออก โดยการยกและดึงออก เทน้ำแข็งออกแล้วทำความสะอาดด้วยน้ำยาทำความสะอาดชนิดอ่อน ใช้น้ำสะอาดล้างออก อย่าใช้แปรงขัด ทิ้งไว้ให้แห้งสนิทก่อนใส่กลับในช่องแช่แข็ง
2. ปิดเครื่องทำน้ำแข็งด้วยการยกสายสัญญาณขึ้นไปยังตำแหน่งปิด
3. เช็ดเศษน้ำแข็งออกจากชั้นและร่องใส่ถาดน้ำแข็ง เช็ดบริเวณนี้ให้สะอาด
4. ใส่ถาดน้ำแข็งกลับเข้าที่เดิม ดันสายสัญญาณลงในตำแหน่งเปิด เพื่อให้เครื่องทำน้ำแข็งทำงาน



**ข้อควรทราบ:** ขณะถอดหรือใส่ถาดน้ำแข็งกลับเข้าที่ อย่าหมุนขดลวดที่อยู่ในถาด หากมือไปหมุนเข้าโดยบังเอิญ จะต้องจัดให้อยู่ในมุม 90° เพื่อให้สามารถใส่ถาดเข้าที่ได้เหมือนเดิม

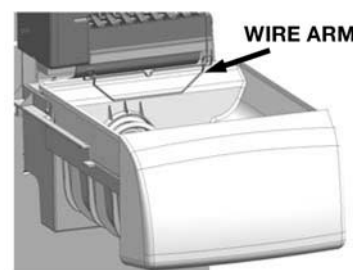
ถาดน้ำแข็งจะต้องถอดออกเพื่อเททิ้งถ้า :

1. ไฟที่ดับเป็นเวลานานๆ (หนึ่งชั่วโมงหรือนานกว่านั้น) จะทำให้ก้อนน้ำแข็งในถาดละลายติดกัน ทำให้หัวจ่ายติดขัดได้
2. หากไม่ได้ใช้หัวจ่ายบ่อย น้ำแข็งจะแข็งติดกันเป็นก้อน ทำให้หัวจ่ายติดขัดได้ หากเกิดปัญหาดังกล่าวขึ้น ให้ถอดถาดน้ำแข็งออก แล้วเขย่าไม่ให้ น้ำแข็งเกาะตัวกัน

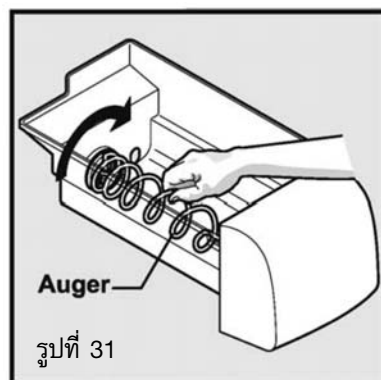


คำเตือน

อย่าใช้รางน้ำแข็งเป็นที่จับ ขณะถอดหรือใส่ถาดน้ำแข็งเข้าที่ อย่าสอดนิ้วเข้าไปในรางน้ำแข็ง เพราะบริเวณนั้นอาจจะคม



รูปที่ 30



รูปที่ 31

อย่าใช้เหล็กเจาะน้ำแข็งหรืออุปกรณ์ที่มีปลายแหลมเจาะน้ำแข็งออกจากกัน เพราะอาจทำให้ถาดน้ำแข็งและหัวจ่ายเสียหายได้

# การเปลี่ยนที่กรองน้ำ

ถ้าคุณซื้อตู้เย็นที่มีไส้กรองน้ำและน้ำแข็ง ขอให้อ่านข้อมูลวิธีดูแลรักษาและใช้งานต่อไปนี้

ที่กรองน้ำและน้ำแข็งจะทำหน้าที่กรองน้ำเข้าเครื่องทำน้ำแข็ง และช่องจ่ายน้ำ ที่กรองนี้จะติดตั้งอยู่ที่มุมขวาบนของช่องเก็บอาหาร

## เมื่อไรจึงจะเปลี่ยนที่กรอง

สภาพน้ำทั่วโลกจะแตกต่างกันไป แต่การเปลี่ยนที่กรองน้ำทุกๆ 6-9 เดือน จะช่วยให้น้ำมีคุณภาพดี หากติดตั้งที่กรองน้ำไว้ในตู้เย็นที่ไม่ได้ใช้งานมาระยะหนึ่ง ( อาจจะเป็นเพราะย้ายบ้าน ) ควรเปลี่ยนที่กรองน้ำใหม่ก่อนจะติดตั้งตู้เย็น แม้ว่าระบบจ่ายน้ำจะทำงานได้แม้ไม่มีที่กรอง (เมื่อถอดออก) แต่ไม่ขอแนะนำให้ทำ

## วิธีเปลี่ยนที่กรองน้ำ

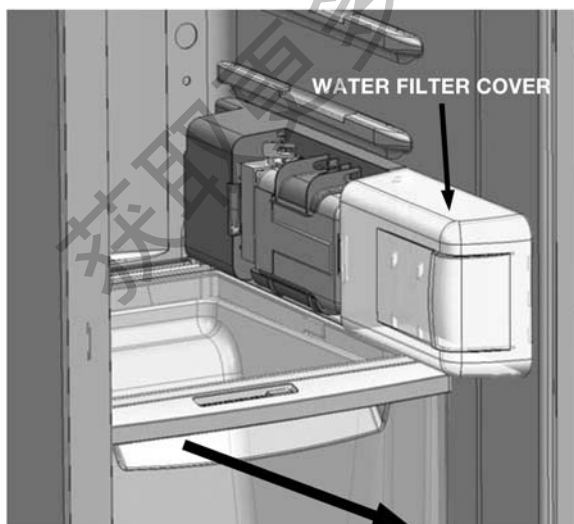
ไม่จำเป็นต้องปิดน้ำระหว่างเปลี่ยนที่กรอง แต่จะต้องกดสวิทช์ช่องจ่ายน้ำแข็งไปที่ตำแหน่ง "0" (ปิด)

วิธีเปลี่ยนที่กรองทำได้ดังนี้:

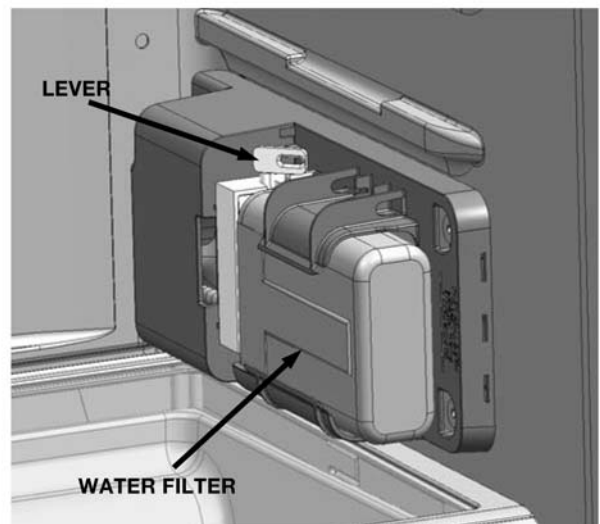
1. เปิดประตูตู้เย็น และถอดฝาครอบช่องใส่ไส้กรองออกด้วยการเลื่อนเข้าหาตัว (ดูรูปที่ 32)
2. ดันคันโยกทวนเข็มนาฬิกา (ดูรูปที่ 33) เพื่อถอดไส้กรองเก่าออก เลื่อนตลับไส้กรองเก่าเข้าหาตัวเพื่อถอดออก
3. นำตลับกรองน้ำใหม่ออกมา (หาซื้อได้จากศูนย์บริการของ Electrolux) แล้วถอดฝาครอบออกจากช่องน้ำเข้าและช่องน้ำออก
4. เลื่อนตลับไส้กรองใหม่เข้าช่องติดตั้งไส้กรอง แล้วดันให้เข้าที่

**หมายเหตุ:** จะไม่ได้ยินเสียงคลิกขณะใส่ตลับไส้กรองเข้าที่ถูกต้อง การติดตั้งตลับไส้กรองให้ถูกต้องจะต้องดึงเข้าหาตัวเบาๆ หากตลับไส้กรองไม่เลื่อนมาด้านหน้าแสดงว่าเข้าที่เรียบร้อยแล้ว

5. ปิดฝาครอบช่องใส่ที่กรองเข้าที่
6. ปิดประตูช่องแช่แข็ง แล้วเติมน้ำหนึ่งแก้ว ตรวจสอบหารอยรั่ว เช็ดหยดน้ำบริเวณช่องใส่ไส้กรองและบริเวณ Crisper Bin
7. ในการปรับสภาพที่กรองน้ำและไล่อากาศออกจากท่อ ให้เติมน้ำลงไป แล้วกดน้ำออกจากระบบนาน 30 วินาที เพื่อเก็บน้ำสะอาดลงถัง



รูปที่ 32



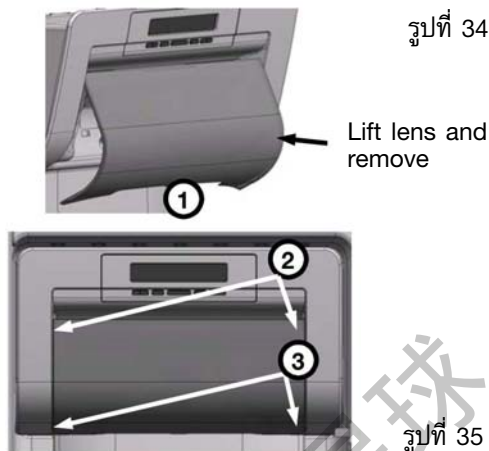
รูปที่ 32



# การเปลี่ยนหลอดไฟ

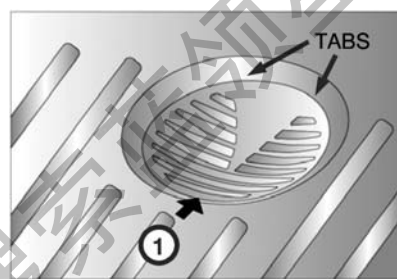
## การเปลี่ยนหลอดไฟในช่องเก็บอาหาร

1. ตรวจสอบอุณหภูมิที่ตั้งไว้แล้วจดไว้
2. ปิดสวิตซ์ตู้เย็น และถอดปลั๊กออก
3. ปลดกระจกเลนส์ออก โดยสอดนิ้วไปที่ตำแหน่ง (1) ในรูปที่ 34
4. ดันกระจกเลนส์ขึ้น แล้วถอดหลอดไฟเก่าออก
5. เปลี่ยนใส่หลอดใหม่ที่เป็นชนิดเดียวกันและมีวัตต์เท่ากันแทน
6. ใส่กระจกเลนส์กลับเข้าที่เดิม โดยสอดขาที่กระจกเลนส์เข้าตรงตำแหน่ง (2) แล้วดันกระจกเลนส์ด้วยมือทั้งสองข้างที่ตำแหน่ง (3) (ดูรูปที่ 35)
7. เปิดสวิตซ์ตู้เย็นแล้วตั้งอุณหภูมิให้เท่าเดิม



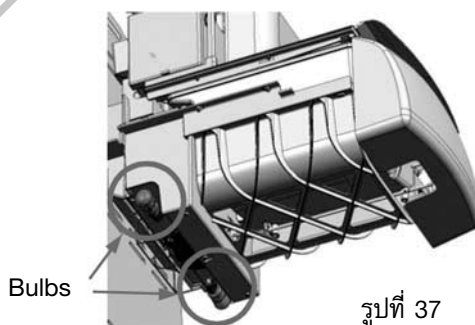
## การเปลี่ยนหลอดไฟในช่องแช่แข็ง - รุ่นมาตรฐาน:

1. ตรวจสอบอุณหภูมิที่ตั้งไว้แล้วจดไว้
2. ปิดสวิตซ์ตู้เย็น และถอดปลั๊กออก
3. ดันและดึงสลักฝาครอบหมายเลข 1 ออกจาก TABS (ดูรูปที่ 36) เพื่อเปิดฝาครอบหลอดไฟ
4. ถอดหลอดไฟเก่าออกแล้วเปลี่ยนใส่หลอดใหม่ที่เป็นชนิดเดียวกันและมีวัตต์เท่ากันแทน (ดูรูปที่ 37)
5. นำฝาครอบปิดตำแหน่งเดิม สังเกตตำแหน่ง TABS และตำแหน่งหมายเลข 1 ตามรูป



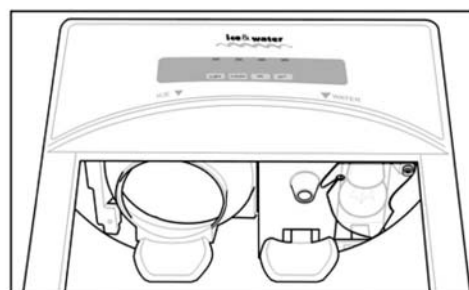
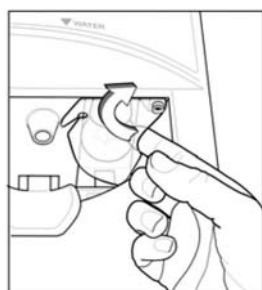
## การเปลี่ยนหลอดไฟในช่องแช่แข็ง - ICE & WATER

1. ตรวจสอบอุณหภูมิที่ตั้งไว้แล้วจดไว้
2. ปิดสวิตซ์ตู้เย็น และถอดปลั๊กออก
3. ถอดหลอดไฟเก่าออกแล้วเปลี่ยนใส่หลอดใหม่ที่เป็นชนิดเดียวกันและมีวัตต์เท่ากันแทน (ดูรูปที่ 37)
4. เปิดสวิตซ์ตู้เย็นแล้วตั้งอุณหภูมิให้เท่าเดิม



## การเปลี่ยนหลอดไฟที่ช่องจ่ายน้ำแข็ง

1. ตรวจสอบอุณหภูมิที่ตั้งไว้แล้วจดไว้
2. ปิดสวิตซ์ตู้เย็น และถอดปลั๊กออก
3. ใช้นิ้วเลื่อนฝาครอบให้เปิดออก (อย่าไขสกรูออก) (ดูรูปที่ 38)
4. ถอดหลอดไฟเก่าออก แล้วเปลี่ยนใส่หลอดใหม่ที่เป็นชนิดเดียวกันและมีวัตต์เท่ากันแทน
5. เลื่อนฝาครอบกลับเข้าที่เดิม (ดูรูปที่ 39, 40)
6. เปิดสวิตซ์ตู้เย็นแล้วตั้งอุณหภูมิให้เท่าเดิม





# การทำความสะอาดตู้เย็น



ก่อนทำความสะอาด: ปลดปลั๊กออก เพื่อป้องกันไม่ให้เกิดไฟฟ้าช็อต เพื่อให้แน่ใจว่าจะไม่มีโอกาสถูกไฟช็อตขณะทำความสะอาดเครื่อง

## การทำความสะอาดภายนอกตู้

### ตัวตู้

ควรขัดตู้อย่างน้อยปีละครั้งโดยใช้น้ำยาเคลือบคุณภาพดีเหมือนชนิดที่ใช้กับรถยนต์ หลังจากนั้นจึงเช็ดทำความสะอาดเป็นครั้งคราวด้วยผ้าสะอาดชุบน้ำหมาดๆ เพื่อขจัดคราบนิ้วมือ

**หมายเหตุ:** อย่าขัดผิวบริเวณที่เป็นพลาสติกหรือขอบ แต่ให้ใช้น้ำอุ่น (ไม่ร้อน) ผสมน้ำยาชนิดไม่มีกลิ่นล้างทำความสะอาด

### ประตูตู้เย็น - รุ่นที่เป็นสี

ทำความสะอาดเช่นเดียวกับตัวตู้ภายนอกข้างต้น

### ประตูตู้เย็น - รุ่นที่เป็นสแตนเลส

ตู้เย็นรุ่นนี้ทำจากสแตนเลสที่ทนทานต่อรอยขีดข่วน ภายนอกเคลือบสารปกป้องชนิดพิเศษ ที่ช่วยขจัดคราบเปื้อน เช่น รอยนิ้วมือ และหยดน้ำ ออกได้ง่าย เพื่อให้ประตูตู้เย็นที่ทำด้วยสแตนเลสดูดี ควรทำความสะอาดเป็นประจำ โดยใช้ผ้านุ่มชุบน้ำอุ่นผสมสบู่เช็ดทำความสะอาด แล้วเช็ดให้แห้ง



อย่าใช้แป้นขัดหรือน้ำยาทำความสะอาดเพราะอาจทำให้ผิวเป็นรอยได้ ความเสียหายที่เกิดขึ้นกับผลิตภัณฑ์นี้หลังจากติดตั้งแล้วไม่อยู่ในประกัน

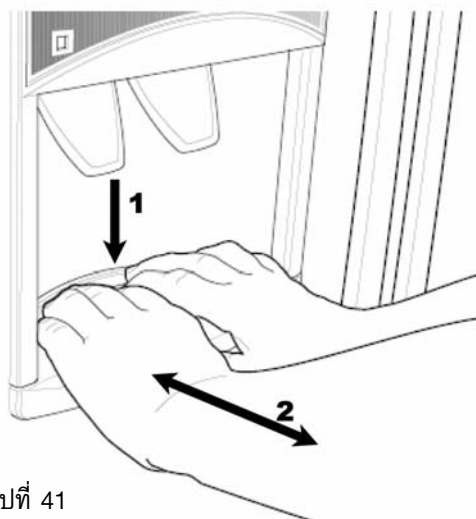
**หมายเหตุ:** ควรเช็ดไปตามแนวสแตนเลส เพื่อไม่ให้เกิดรอยบนผิว

### การถอดถาดรองน้ำ

อาจมีน้ำแช่อยู่ในช่องใต้ถาดรองน้ำได้ ให้ซับน้ำออกเพื่อป้องกันไม่ให้น้ำล้นไหลลงมาที่ประตูด้านหน้า

การทำความสะอาดให้ถอดถาดรองน้ำออกตามรายละเอียดด้านล่าง

1. ใช้นิ้วกดถาดรองน้ำที่ด้านหลัง
2. ดึงถาดออกมาด้านหน้า
3. ใส่ถาดกลับโดยดันเข้าที่เดิม (ดูรูป 41)



รูปที่ 41

# การทำความสะอาดตู้เย็น

## การทำความสะอาดภายในตู้

ควรทำความสะอาดภายในตู้เย็นเป็นประจำ ซึ่งจะทำได้ง่ายในช่วงที่มีอาหารในตู้เย็นน้อย โดยใช้ผ้าชุบน้ำสบู่อุ่นๆ เช็ดทำความสะอาด จากนั้นเช็ดให้แห้ง อย่าให้ปุ่มควบคุมต่างๆ เปียกน้ำ หากถอดชิ้นส่วนใดๆ ในตู้ออก ให้ประกอบกลับเข้าที่เดิม แล้วเปิดสวิตช์ก่อนใส่อาหารกลับเข้าตู้ คุณควรเช็ดเศษอาหารออกให้หมด เพื่อให้ตู้เย็นสะอาดถูกสุขอนามัย

## เช็ดขอบยางบริเวณประตูตู้เย็นให้สะอาด

ดูแลเช็ดขอบยางให้สะอาด คราบอาหารและเครื่องสำอางทำให้ขอบเหนียวติดตู้ และฉีกขาดได้เมื่อเปิดประตู ใช้ผ้าอุ่นผสมน้ำยาทำความสะอาดอ่อนๆ เช็ดขอบยางให้ทั่ว แล้วเช็ดให้แห้ง



ข้อควรระวัง: อย่าใช้น้ำร้อน สารละลาย น้ำยาทำความสะอาดห้องครัว สเปรย์ฉีดทำความสะอาด น้ำยาขัดโลหะ น้ำยากัดหรือขัดผิว หรือแปรงขัดทำความสะอาดตู้เย็น เพราะอาจทำให้เสียหายได้ มีน้ำยาทำความสะอาดจำนวนมากที่มีส่วนผสมของสารละลายซึ่งทำให้ตู้เย็นเสียหาย เมื่อทำความสะอาดควรใช้ผ้าชุบน้ำอุ่นผสมสบู่อุ่นๆ ที่ไม่มีกลิ่น

## ข้อแนะนำที่มีประโยชน์

### ความสิ้นเปลืองพลังงาน (ค่าไฟ)

ข้อแนะนำต่อไปนี้จะช่วยให้คุณลดค่าใช้จ่ายของตู้เย็นใหม่ลงได้ ประหยัดทั้งเงินและพลังงาน

- หากยังมีตู้เย็นเก่าอยู่ จะประหยัดไฟได้ด้วยการปิดสวิตช์เมื่อไม่ใช้งาน
- อย่าตั้งอุณหภูมิในช่องแช่แข็งต่ำจนเกินไป ไอศกรีมที่แช่ไว้ 24 ชม. ควรจะแข็งแต่สามารถใช้ช้อนตักได้โดยตามไม่ถอ หากไอศกรีมแข็งกว่านี้ (หรือนิ่มกว่านี้) ก็ให้ปรับปุ่มควบคุมอุณหภูมิ (ดูเรื่องการควบคุมอุณหภูมิ)
- ดูให้ดีว่าประตูปิดแน่นดีเมื่อปิดตู้
- ก่อนเปิดประตูตู้เย็น ให้คิดก่อนว่าจะใส่หรือหยิบอะไรออกจากตู้ เพื่อช่วยลดเวลาในการเปิดประตูตู้ค้างไว้
- ควรตั้งตู้เย็นไว้ในจุดที่ไม่โดนแสงอาทิตย์ส่องโดยตรง และไกลจากเครื่องทำความร้อนอื่นๆ เช่น อย่าวางตู้เย็นไว้ใกล้กับหม้อหุงข้าว เตา หรือเครื่องล้างจาน
- อาหารที่ร้อนต้องตั้งทิ้งไว้ให้เย็นก่อนจะนำเข้าช่องแช่แข็ง
- ละลายอาหารแช่แข็งด้วยการนำมาใส่ไว้ในช่องตู้เย็น
- หากใส่ของในช่องแช่แข็งได้เต็มพื้นที่ อาหารแช่แข็งจะช่วยรักษาอุณหภูมิของตู้ไว้ขณะเปิดฝา
- อย่ากีดขวางช่องแอร์ เพราะจะทำให้ตู้เย็นทำงานนานขึ้น และกินไฟมากขึ้น

### การปิดตู้เย็น

ถ้าคุณจะไปเที่ยวช่วงสั้นๆ ก็ไม่จำเป็นต้องถอดปลั๊กตู้เย็น

แต่ถ้าต้องไปนานๆ ควรปฏิบัติตามขั้นตอนดังนี้

- นำอาหารออกจากตู้เย็นและช่อง Freezer ให้หมด
- ปิดสวิตช์ตู้เย็นและถอดปลั๊กออก
- ทำความสะอาดภายในตู้
- เปิดประตูตู้ทั้งไว้ เพื่อป้องกันการเกิดเชื้อแบคทีเรีย ซึ่งจะช่วยให้ตู้มีกลิ่น

# กลเม็ดการใช้งานที่มีประโยชน์

## เมื่อไฟดับ

ถ้าไฟดับ ให้ปิดฝาช่องแช่แข็งไว้ อาหารส่วนใหญ่ที่อยู่ในตู้จะยังคงแข็งอยู่ได้นาน 24 ชม.

## ระบบความปลอดภัย

คุณจะต้องใช้ตู้เย็นอย่างระมัดระวังเพื่อให้เกิดความปลอดภัย ไม่ควรให้เด็กเล็กหรือผู้พิการใช้ตู้เย็นตามลำพัง

### สิ่งที่ควรทำ

- ตรวจสอบว่าปลั๊กไฟติดตั้งสายดินเรียบร้อย ถ้าไม่แน่ใจ เรียกช่างมาตรวจสอบให้ ปลั๊กที่ไม่ได้เดินสายดินไว้อาจทำให้เกิดไฟช็อตได้
- ถอดปลั๊กไฟออกทุกครั้งที่จะทำความสะอาดหรือเคลื่อนย้ายตำแหน่ง
- เปลี่ยนสายไฟถ้ามีรอยชำรุด โดยบริษัทผู้ผลิต ศูนย์บริการ หรือช่างผู้มีความชำนาญ ทั้งนี้เพื่อป้องกันอันตรายที่อาจเกิดขึ้น

### สิ่งที่ไม่ควรทำ

- อย่าปล่อยให้เด็กเล่นกับตู้เย็น
- อย่านำกระป๋องสเปรย์ น้ำยาที่อาจระเบิดหรือติดไฟได้มาเก็บไว้ในตู้เย็น
- อย่าเก็บเครื่องดื่มที่เป็นฟองไว้ในตู้แช่แข็ง
- อย่าเสียบอาหารที่แข็งเป็นน้ำแข็งเมื่อนำออกมาจากตู้แช่แข็งใหม่ๆ เพราะอาจทำให้ลื่นและปากไหม้ได้
- อย่าลองซ่อมตู้เย็นด้วยตนเอง
- อย่าใช้เครื่องทำความร้อนไฟฟ้าหรือเครื่องเป่าผมมาละลายน้ำแข็งในช่องแช่แข็ง เพราะอาจเกิดไฟช็อตได้
- อย่านำเครื่องใช้ไฟฟ้ามาเปิดใช้ในบริเวณช่องเก็บอาหาร

ตู้เย็นมีฉนวนที่ทำจากก๊าซติดไฟ ฉะนั้นจะต้องระมัดระวังในการกำจัดทิ้งเพื่อป้องกันอันตรายที่อาจเกิดขึ้นได้

อย่าทำให้ท่อและส่วนทำความเย็นที่บรรจุสารทำความเย็นอยู่เสียหาย



คำเตือน: เมื่อต้องการกำจัดตู้เย็นทิ้งเมื่อหมดอายุการใช้งาน ให้ถอดประตูตู้ออก เพราะเด็กอาจเข้าไปติดในตู้และหายใจไม่ออกได้

# กลเม็ดการใช้งานที่มีประโยชน์

## ข้อแนะนำที่มีประโยชน์ในการเก็บรักษาอาหาร

### สิ่งที่ควรทำ

- ซื้ออาหารที่สดและมีคุณภาพดีที่สุด และนำมาแช่ตู้เย็นให้เร็วที่สุด
- ใช้พลาสติกหรือฟอยล์คลุมอาหารเพื่อกันไม่ให้อาหารแห้ง
- ใช้พลาสติกหรือฟอยล์คลุมอาหารเพื่อกันกลิ่น
- ล้างและห่อปลา ไก่ ให้เรียบร้อยก่อนใส่ตู้เย็น
- ล้างเอาเครื่องในไก่ออกให้หมดก่อนนำไปแช่ตู้เย็น มิฉะนั้นอาจเป็นแหล่งเพาะแบคทีเรียได้
- แช่ไข่ในตู้เย็น ไม่ใช่ข้างประตูตู้ โดยวางยอดที่มีปลายแหลมลง

### สิ่งที่ไม่ควรทำ

- อย่าแช่กล้วย อะโวคาโด หรือมะม่วงไว้ในตู้เย็น เพราะจะทำให้ผิวคล้ำหรือเน่า
- อย่านำอาหารร้อนไปเก็บในตู้เย็น ต้องรอให้เย็นก่อนจึงจะนำไปแช่

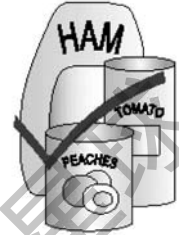
## ข้อแนะนำที่มีประโยชน์ในการแช่แข็งอาหาร

คุณสามารถใช้ตู้แช่แข็งแช่อาหารซึ่งซื้อมาหลายๆช่วงลดราคา เพื่อเก็บไว้เป็นเวลานานๆได้ นอกจากนั้นก็ยังยังสามารถแช่แข็งอาหารที่ปรุงเสร็จแล้วไว้ใช้รับประทานภายหลังได้

### สิ่งที่ควรทำ

- ซื้ออาหารที่สดและมีคุณภาพดีที่สุด และนำมาแช่ตู้เย็นให้เร็วที่สุด
- ห่ออาหารด้วยพลาสติกหรือใส่ถุงพลาสติกไว้ก่อนนำไปแช่ในตู้แช่แข็ง
- ใส่อากาศออกจากถุงพลาสติกเพื่อกันไม่ให้เกิดน้ำแข็ง
- นำอาหารแช่แข็งที่ซื้อมาจากซูเปอร์มาร์เก็ตแช่ Freezer ทั้งหมด
- ละลายอาหารที่แช่แข็งไว้ โดยเฉพาะไก่และปลา โดยนำไปใส่ในตู้เย็น ซึ่งเป็นวิธีช่วยหยุดการเจริญเติบโตของเชื้อแบคทีเรีย
- ใส่อาหารแช่แข็งในตู้เย็นทั้งหมดเพื่อทิ้งไว้ให้ละลาย
- นำอาหารที่ละลายน้ำแข็งแล้วมาใช้ทันที

อย่านำอาหารแช่แข็งที่นำมาละลายแล้วกลับไปแช่แข็งใหม่



# คู่มือในการเก็บรักษาอาหาร

## การแช่แข็งเนื้อสัตว์

- ใช้พลาสติกห่อเนื้อแยกไว้เป็นก้อนๆ เก็บได้นาน 6 เดือน
- ใส่ถุงพลาสติกแล้วใส่อากาศออกก่อนใส่ในช่องแช่แข็ง
- แยกไส้กรอกและขนมปังสำหรับทำแฮมเบอร์เกอร์ไว้บนถาดประมาณ 1 ซม. จนแข็ง ใช้พลาสติกห่อแยกกันใส่ถุงพลาสติกแล้วใส่อากาศออกก่อนใส่กลับในช่องแช่แข็ง เก็บไส้กรอก เนื้อบดและอบได้นาน 1 เดือน
- ใช้พลาสติกห่อส่วนที่เป็นข้อ เนื้อชิ้นใหญ่ สะเต็ก และชิ้นเนื้อแยกไว้เป็นส่วนๆ หรือใส่ไว้ในถุงพลาสติกแล้วใส่อากาศออกก่อน ใส่ในช่องแช่แข็ง ส่วนที่เป็นข้อและเนื้อชิ้นใหญ่ๆ ควรจะนำมาละลายน้ำแข็งก่อนนำมาปรุงอาหาร สะเต็กและชิ้นเนื้ออาจนำมาปรุงอาหารได้ทันทีขณะยังแข็งอยู่ เก็บได้นาน 6 เดือน
- ใช้พลาสติกห่อดับ ไต และเครื่องในอื่นๆแยกไว้เป็นส่วนๆ หรือใส่ไว้ในถุงพลาสติกแล้วใส่อากาศออก เก็บได้นาน 2 เดือน

## การแช่แข็งอาหารจำพวกสัตว์ปีก

- ล้างด้วยน้ำเย็นให้สะอาด ทิ้งไว้ให้แห้งแล้วนำไปแช่ในตู้เย็น 1 คืน ใช้พลาสติกห่อหรือใส่ถุงพลาสติก จากนั้นใส่อากาศออกก่อนใส่ในช่องแช่แข็ง เก็บได้นาน 6 เดือน
- ใส่แบบทั้งตัวและครึ่งตัวไว้ในถุงพลาสติกแยกกัน แล้วใส่อากาศออกก่อนใส่ในช่องแช่แข็ง เก็บได้นาน 6 เดือน
- อพยัดไส้ก่อนนำไปแช่แข็ง
- นำไก่เป็นชิ้นๆ มาวางเรียงในถุงพลาสติกโดยไม่ซ้อนกัน แล้วใส่อากาศออกก่อนใส่ในช่องแช่แข็ง เก็บได้นาน 4 เดือน
- ไก่ชิ้นอาจนำมาปรุงอาหารได้ทันทีขณะยังแข็งอยู่
- เรียงไก่ชิ้นซุบขนมปังกรอบวางลงในถาด แล้วนำไปแช่ในตู้แช่แข็งประมาณ 1-2 ชม. นำไก่เหล่านั้นมาวางเรียงไม่ให้ซ้อนกันในถุงพลาสติกแล้วใส่อากาศออกก่อนใส่ในช่องแช่แข็ง เก็บได้นาน 4 เดือน
- นำอาหารที่ทำจากไก่ใส่ลงในภาชนะปิดผนึกแน่นสนิท เก็บได้นาน 3 เดือน

# คู่มือในการเก็บรักษาอาหาร

## การแช่แข็งอาหารทะเล

- อาหารทะเลที่จะแช่แข็งต้องสด

### ปลา

- ล้างและเตรียมปลาให้พร้อมปรุงได้ทันทีหลังจากนำออกจากตู้แช่แข็ง ใช้พลาสติกห่อปลาแต่ละชิ้นแยกกัน ใส่ถุงพลาสติกแล้วไล่อากาศออกเนื้อปลาที่แล่เป็นชิ้นๆแล้วสามารถนำไปปรุงอาหารได้ทันทีแม้จะยังแช่แข็งอยู่ ยกเว้นคุณต้องการนำไปชุบแป้งหรือขนมปังป่น

เก็บได้นาน 2-4 เดือน

### กุ้ง

- แกะเปลือกและล้างกุ้ง นำไปใส่ในภาชนะกันน้ำ เทน้ำเกลือใส่แล้วปิดฝา ให้แน่นนำไปแช่แข็งทันที กุ้งเขียว (green pawn) สามารถแช่แข็งได้ทั้งตัว และนำไปปรุงอาหารได้ทันทีโดยไม่ต้องละลายน้ำแข็ง

เก็บได้นาน 4 เดือน

### ปูและกุ้งน้ำจืด

- ใส่ปูสดและกุ้งน้ำจืดลงในน้ำเกลือ (เติมเกลือ 1 ช้อนโต๊ะต่อน้ำ 1 ลิตร) ที่ต้มเดือด ต้มด้วยไฟอ่อนต่อไปนาน 10-20 นาที เทน้ำออกแล้วทิ้งไว้ให้เย็น เปิดออกมาทำความสะอาด แกะเนื้อออกใส่ในภาชนะกันน้ำ เทน้ำเกลือใส่แล้วปิดฝาให้แน่นนำไปแช่แข็งทันที

เก็บได้นาน 2 เดือน

## การแช่แข็งเค้กและขนมที่ทำจากแป้ง

### ขนมปังกรอบ

ใส่ขนมปังกรอบที่อบแล้วหรือยังไม่ได้อบลงถุงพลาสติกหรือภาชนะที่เหมาะสม

เก็บได้นาน 3 เดือน

### เค้กธรรมดาและเค้กฟองน้ำ

- ห่อด้วยพลาสติกหรือใส่ถุงพลาสติกไว้
- แช่แข็งทั้งก้อนหรือตัดเป็นชิ้นๆ

เค้กที่มีหน้าก็สามารถแช่แข็งได้  
เค้กน้ำแข็งเก็บได้นาน 4 เดือน  
เค้กอื่นๆเก็บได้นาน 6 เดือน

# คู่มือในการเก็บรักษาอาหาร

## การแช่แข็งเค้กและขนมที่ทำจากแป้ง

### ขนมปังสัดและโรล

- ห่อด้วยพลาสติกหรือใส่ถุงพลาสติกแยกกัน
- นำมาละลายน้ำแข็งโดยทิ้งไว้ในห่อที่อุณหภูมิห้อง หรือจะแกะออกจากห่อแล้วนำไปอุ่นในเตาอบประมาณ 15-20 นาทีก็ได้

เก็บได้นาน 12 เดือน

### พายและทาร์ต

- ใส่พายและทาร์ตในถุงพลาสติกหนา ก่อนหรือหลังอบ
- นำไปแช่ในช่องแช่แข็ง

เก็บได้นาน 3 เดือน

### ขนมปังสโคน

- เป่าให้เย็นโดยเร็วหลังจากอบเสร็จ
- ใส่ลงถุงพลาสติก
- นำไปแช่ในช่องแช่แข็ง
- นำไปอุ่นในเตาอบไฟอ่อนขณะยังแข็งอยู่ นาน 15-20 นาที

เก็บได้นาน 3 เดือน

获取更多资料

微信搜索 蓝领星球

# ก่อนเรียกช่าง

## สิ่งที่ควรทำก่อนเรียกช่าง

ถ้าคิดว่าตู้เย็นทำงานผิดปกติ ขอให้ตรวจสอบก่อนจะเรียกช่าง เพราะคุณอาจจะหาสาเหตุเจอ โดยไม่ต้องเหนื่อยพร้อมกับประหยัดทั้งเงินและเวลา

ปัญหา	วิธีแก้
ตู้เย็นไม่ทำงาน	<p>หากตู้เย็นดูเหม็นไม่ทำงาน ให้ลองปรับปุ่มควบคุมอุณหภูมิไปทาง “Colder” ปกติพัดลมในช่องแช่แข็งจะไม่ทำงานระหว่างที่เครื่องกำลังละลายน้ำแข็งแบบอัตโนมัติ หรือในช่วงสั้นๆ หลังจากเปิดสวิตช์ตู้เย็น ตู้อาจเริ่มทำงานพร้อมกับพยายามลดอุณหภูมิลง หากยังไม่ทำงาน ให้ตรวจสอบว่าเสียบสายไฟไว้เรียบร้อยและเปิดสวิตช์ที่ปลั๊กแล้ว ลองเสียบปลั๊กเครื่องใช้ไฟฟ้าอื่นดู ถ้าปลั๊กไม่มีไฟแสดงว่าฟิวส์อาจจะขาดหรือไฟดับ หากเรียกช่างมา แล้วพบว่าปลั๊กไฟเสีย คุณอาจต้องเสียค่าบริการ</p>
เวลาตู้เย็นมีเสียงดัง	<p>ตู้เย็น/ตู้แช่แข็งสมัยใหม่ที่มีเนื้อที่บรรจุอาหารมากขึ้นจะใช้คอมเพรสเซอร์ความเร็วสูง ซึ่งทำให้เกิดเสียงดังเป็นปกติ</p> <p>เสียงที่เกิดจากการทำงานตามปกติ:</p> <ul style="list-style-type: none"><li>● เสียงขลุ่ยคลิกเป็นครั้งคราวเหมือนเสียงน้ำเดือด</li><li>● เสียงอากาศหมุนเวียนภายในเครื่อง (อันเกิดจากมอเตอร์พัดลม)</li><li>● เสียงเหมือนคว่ำข้าวโพดระหว่างตู้เย็นละลายน้ำแข็ง</li><li>● เสียงคลิกก่อนคอมเพรสเซอร์จะเริ่มทำงาน</li></ul> <p>เมื่อเครื่องทำน้ำแข็งทำงาน จะได้ยินเสียงเหล่านี้เป็นปกติ:</p> <ul style="list-style-type: none"><li>● เสียงมอเตอร์เดิน</li><li>● เสียงน้ำแข็งหล่นลงถาด</li><li>● เสียงเปิดปิดวาล์วน้ำ</li><li>● เสียงน้ำแข็งคลายตัวในถาด</li><li>● เสียงน้ำไหล</li></ul> <p>หากมีเสียงอื่นที่ไม่เหมือนเสียงข้างต้น คุณจะต้องตรวจเช็คเครื่อง เพราะเสียงที่เกิดขึ้นอาจหมายถึง</p> <ul style="list-style-type: none"><li>● ตู้ไม่ได้ตั้งอยู่บนพื้นในแนวระนาบ</li><li>● พื้นที่ตั้งตู้ไม่เรียบหรือไม่แข็งแรง</li><li>● วางขวดไม่ดีทำให้สั่น</li><li>● อาจมีแรงสั่นสะเทือนจากวัตถุที่อยู่ด้านบน ด้านหลัง หรือด้านข้างของตู้</li><li>● ตู้ด้านหลังวางอยู่ชิดกำแพง</li></ul> <p>จงจำไว้ว่าปกติเสียงจะดังขึ้นเมื่อตู้เย็นเริ่มทำงาน</p>
ถ้ามีกลิ่นในตู้เย็น	<ul style="list-style-type: none"><li>● ได้เวลาทำความสะอาดตู้ด้านใน</li><li>● มีอาหารบางอย่างทำให้เกิดกลิ่น</li><li>● ภาชนะใส่อาหารมีกลิ่น</li><li>● ถามตัวเองว่าตู้เย็นเริ่มมีกลิ่นตั้งแต่ไหนของชั้นใดมาใส่ไว้</li></ul>



# ก่อนเรียกช่าง

ปัญหา	วิธีแก้
เมื่อมอเตอร์ทำงานหนักกว่าปกติ	<p>ตู้เย็นรุ่นนี้มีพื้นที่จัดเก็บอาหารทั้งในช่องแช่เย็นและช่องแช่แข็งกว้างขวาง ดังนั้นมอเตอร์จึงต้องทำงานบ่อย แต่ควรตรวจสอบในเรื่องต่อไปนี้เพื่อดูแลให้มอเตอร์ทำงานน้อยที่สุด</p> <ul style="list-style-type: none"><li>● เปิดประตูตู้เย็นและบ่อยหรือไม่</li><li>● ปรับระดับอุณหภูมิไว้เย็นเกินไปหรือไม่ ดูรายละเอียดในเรื่อง “การควบคุมอุณหภูมิ”</li><li>● นำอาหารที่ยังร้อนอยู่เข้าตู้หรือไม่ ตู้เย็นมักจะต้องทำงานหนักในช่วงฤดูร้อน หน้าเทศกาล และช่วงวันหยุด</li><li>● ถ้าอากาศร้อนหรือในห้องร้อนมาก ตู้เย็นต้องทำงานหนักกว่าปกติ</li></ul> <p>ตู้เย็นจะทำงานหนักกว่าปกติหลังจากการติดตั้งใช้งานหรือเมื่อปิดสวิตช์ไม่ใช้งานเป็นเวลานานๆ</p>
อากาศร้อน	<p>ตรวจสอบว่าตู้เย็นมีระยะห่างทั้งด้านข้าง ด้านหลัง และด้านบนมากพอ ตรวจสอบข้อแนะนำในการติดตั้งได้ในหมวดต้นๆ ของคู่มือฉบับนี้</p>
ถ้าอุณหภูมิในตู้เย็นสูงเกินไป	<ul style="list-style-type: none"><li>● ดูรายละเอียดในเรื่อง “การควบคุมอุณหภูมิ” คุณอาจเปิดตู้เย็นทิ้งไว้นานหรือเปิดบ่อยเกินไป</li><li>● ภาชนะหรือกล่องบรรจุอาหารอาจจะขวางทางทำให้ปิดตู้ไม่ได้</li></ul>
ถ้าอุณหภูมิในตู้เย็นต่ำเกินไป	<ul style="list-style-type: none"><li>● ดูรายละเอียดในเรื่อง “ การควบคุมอุณหภูมิ ”</li><li>● เพิ่มอุณหภูมิเพื่อหลีกเลี่ยงการกินไฟ</li></ul>
ถ้าประตูตู้ไม่ปิด	<ul style="list-style-type: none"><li>● ตรวจสอบว่าตู้เย็นเอียง 10-15 ซม. เพื่อให้ประตูพับปิดเองได้</li><li>● ตรวจสอบว่ามีอะไรขวางทำให้ปิดตู้เย็นไม่ได้</li></ul> <p>ปกติประตูตู้แช่แข็งจะเปิดและปิดเองเมื่อปิดประตูตู้เย็น ถ้าประตูตู้แช่แข็งไม่ปิด แสดงว่าต้องปรับตู้ให้เอียงเพิ่มขึ้น ถ้าเรียกช่างให้มาทำ คุณอาจต้องเสียค่าบริการ เพราะส่วนนี้ไม่รวมอยู่ในประกัน</p>
มีน้ำเกาะอยู่ในช่องแช่แข็งจำนวนมาก	<p>ดูให้แน่ใจว่าปิดประตูช่องแช่แข็งและประตูตู้เย็นแน่นสนิทแล้ว หลังจากใส่หรือหยิบอาหารออกจากตู้ ถ้าเปิดประตูตู้ทิ้งไว้ จะทำให้มีน้ำเกาะอยู่ด้านในช่องแช่แข็งจำนวนมาก หากมีหยดน้ำเกาะอยู่ให้เช็ดออกจนหมด แล้วปิดประตูตู้ให้สนิท เพื่อป้องกันไม่ให้เกิดหยดน้ำเกาะด้านในอีก</p>

# ก่อนเรียกช่าง

## รายการตรวจสอบเมื่อเกิดปัญหาขึ้นกับเครื่องทำน้ำแข็ง

ปัญหา	สาเหตุ	วิธีแก้ไข
<b>เครื่องทำน้ำแข็งอัตโนมัติ</b>		
เครื่องทำน้ำแข็งไม่ทำน้ำแข็ง	<ol style="list-style-type: none"><li>สายสัญญาณถูกดันขึ้นไปในตำแหน่งปิด</li><li>ไม่ได้เปิดวาล์วน้ำ</li><li>ช่องแช่แข็งตั้งอุณหภูมิไว้สูงไป</li><li>ช่องจ่ายน้ำไม่จ่ายน้ำเข้าเครื่อง</li></ol>	<ol style="list-style-type: none"><li>ดันสายสัญญาณลงให้อยู่ในตำแหน่งเปิด</li><li>เปิดวาล์วน้ำ</li><li>ดูวิธีแก้ปัญหาในหัวข้อ “ อุณหภูมิสูงเกินไป ”</li><li>ถ้าไม่ใช่ อาจเป็นเพราะตลับกรองน้ำและน้ำแข็งอุดตัน หรือมีสิ่งแปลกปลอมไปปิดกั้น อาจต้องเปลี่ยนใหม่</li></ol>
เครื่องทำน้ำแข็งทำน้ำแข็งได้ไม่มากพอ	<ol style="list-style-type: none"><li>เครื่องทำน้ำแข็งได้น้อยกว่าที่คาดไว้</li><li>ช่องแช่แข็งยังเย็นไม่มากพอ</li><li>เปิดวาล์วน้ำไม่สุด</li><li>ช่องจ่ายน้ำจ่ายน้ำได้ช้ากว่าปกติ</li></ol>	<ol style="list-style-type: none"><li>เครื่องทำน้ำแข็งควรจะทำน้ำแข็งได้ประมาณ 2-3 กิโลกรัมทุกๆ 24 ชม.</li><li>ดูวิธีแก้ปัญหาในหัวข้อ “ อุณหภูมิสูงเกินไป ”</li><li>เปิดวาล์วน้ำ</li><li>เปลี่ยนตลับกรองน้ำใหม่</li></ol>
เครื่องทำน้ำแข็งไม่ยอมหยุดทำน้ำแข็ง	<ol style="list-style-type: none"><li>มีสิ่งของดันสายสัญญาณลงทำให้เครื่องทำงาน</li></ol>	<ol style="list-style-type: none"><li>ขยับช่องออกเพื่อยกสายสัญญาณขึ้น เอน้ำแข็งที่อาจจับติดกันเป็นก้อนขวางทางสายสัญญาณอยู่</li></ol>
เครื่องทำน้ำแข็งไม่แยกน้ำแข็งเป็นก้อน	<ol style="list-style-type: none"><li>ไม่ได้ใช้น้ำแข็งเป็นเวลานานๆ</li><li>ก้อนน้ำแข็งกรวงหรือมีขนาดเล็กกว่าปกติ</li></ol>	<ol style="list-style-type: none"><li>ดึงถาดน้ำแข็งออกมาเขย่าเพื่อแยกน้ำแข็งให้เป็นก้อน</li><li>เปลี่ยนตลับกรองน้ำใหม่เพราะของเก่าอาจอุดตัน</li></ol>
น้ำแข็งมีกลิ่นและรสแปร่ง	<ol style="list-style-type: none"><li>น้ำแข็งเก็บกลิ่นหรือรสของอาหารที่ใส่ไว้ในตู้เย็นหรือช่องแช่แข็ง</li><li>น้ำที่ไหลเข้าเครื่องทำน้ำแข็งมีกลิ่นและรสแปร่ง</li><li>ไม่ได้ใช้น้ำแข็งเป็นเวลานานๆ</li></ol>	<ol style="list-style-type: none"><li>ปิดอาหารให้สนิท เทน้ำแข็งที่มีกลิ่นทิ้ง แล้วให้เครื่องทำน้ำแข็งทำน้ำแข็งใหม่ที่ไม่มีกลิ่นและรส</li><li>ติดตั้งที่กรองน้ำเพิ่ม โดยปรึกษาบริษัทกรองน้ำ</li><li>เทน้ำแข็งที่มีกลิ่นทิ้ง</li></ol>
<b>ช่องจ่ายน้ำแข็ง</b>		
หัวจ่ายไม่มีน้ำแข็งออก	<ol style="list-style-type: none"><li>ถาดน้ำแข็งว่าง</li><li>อุณหภูมิใน Freezer สูงเกินไป</li><li>ไม่ได้เปิดก๊อกน้ำ</li><li>ไม่ได้ปิดฝาช่องแช่แข็ง</li><li>กีดกันโยกที่หัวจ่ายน้ำแข็งไว้นานเกิน 4-5 นาที</li></ol>	<ol style="list-style-type: none"><li>เมื่อน้ำแข็งก้อนแรกไหลลงถาดแล้ว หัวจ่ายควรทำงาน</li><li>ลดอุณหภูมิให้ต่ำลง เมื่อน้ำแข็งก้อนแรกไหลลงถาดแล้ว หัวจ่ายควรทำงาน</li><li>เปิดมิเตอร์น้ำ ให้เวลาเครื่องทำน้ำแข็งเมื่อมีน้ำแข็งแล้ว หัวจ่ายควรทำงาน</li><li>ตรวจสอบว่าปิดฝาช่องแช่แข็งสนิทแล้ว</li><li>มอเตอร์ทำงานหนัก ตัวตัดไฟจะจ่ายไฟเข้าใหม่ภายใน 3 นาที จากนั้นก็สามารถถาดน้ำแข็งได้</li></ol>
หัวจ่ายน้ำแข็งตัน	<ol style="list-style-type: none"><li>น้ำแข็งละลายจับกันเป็นก้อนบริเวณขดลวด เนื่องจากใช้งานบ่อย อุณหภูมิปรวนแปร และ/หรือไฟดับ</li><li>ก้อนน้ำแข็งเข้าไปปิดทางระหว่างเครื่องทำน้ำแข็ง กับถาดน้ำแข็ง</li><li>น้ำแข็งติดกันเป็นก้อน</li><li>ก้อนน้ำแข็งกรวงหรือมีขนาดเล็กกว่าปกติ</li></ol>	<ol style="list-style-type: none"><li>ดึงถาดน้ำแข็งออก ทิ้งไว้ให้ละลาย แล้วเทน้ำทิ้ง ล้างให้สะอาดและเช็ดให้แห้ง ก่อนใส่กลับเข้าที่เดิม เมื่อทำน้ำแข็งใหม่ หัวจ่ายควรทำงาน</li><li>เอาก้อนน้ำแข็งที่ปิดหัวจ่ายออก พยายามกดใช้น้ำแข็งให้บ่อยขึ้น เพื่อไม่ให้ น้ำแข็งจับตัวกันเป็นก้อน</li><li>ใช้หัวจ่ายน้ำแข็งบ่อยๆ เพื่อไม่ให้ น้ำแข็งจับกันเป็นก้อน</li><li>ตลับกรองน้ำและน้ำแข็งอาจตัน เปลี่ยนตลับกรองน้ำใหม่</li></ol> <p>ช่องจ่ายน้ำจะทำงานได้ดี เมื่อน้ำมีแรงดันระหว่าง 30 - 100 ปอนด์ต่อตารางนิ้ว (PSI) แรงดันน้ำที่เหมาะสมควรอยู่ระหว่างนี้</p>

# ก่อนเรียกช่าง

หากยังต้องเรียกช่าง

ถ้าคุณมีหน้าที่แก้ไขไม่หายแม้จะตรวจสอบตามขั้นตอนช่างต้นแล้ว ขอให้ติดต่อศูนย์บริการใกล้บ้านหรือตัวแทนจำหน่ายที่คุณซื้อตู้เย็น

ขอให้เตรียมแจ้งหมายเลขรุ่น และหมายเลขเครื่อง 8 หลัก ซึ่งอยู่บนป้ายด้านในตู้

ข้อควรทราบ

ก่อนเรียกช่างโปรดดูคู่มือการใช้งาน และเอกสารการให้บริการอย่างละเอียด

获取更多资料 微信搜索蓝领星球

# 伊莱克斯

## 双开门冰箱

### 使用说明

感谢您购买伊莱克斯双开门电冰箱

请仔细阅读用户手册，它提供您如何安全使用产品和维护产品的说明

保留此用户手册以备将来参考

请将您选购的冰箱产品型号和序列号记录在此说明书的末页



型号

BCD-555W

BCD-568W

## 维护和使用一目录

说明.....	3
冰箱部件.....	4
标准型号.....	4
制冰器型号.....	5
安装.....	6
清理冰箱四周.....	6
安装.....	6
调整双门.....	7
内包装.....	8
带制冰器的型号.....	8
冰箱启动.....	9
冷藏室/冷冻室操作.....	9
启动制冰器.....	9
使用.....	11
电子显示板.....	11
温度调整.....	11
时钟开与关.....	12
时间设置.....	12
快速冷冻功能.....	13
假日模式.....	13
开门报警.....	13
冷冻室温度报警.....	14
饮料冷却计时器.....	14
其它电子功能.....	15
温度故障分析.....	16
食物储藏室性能.....	17
安装在内门的储藏盒.....	17
奶制品储藏室.....	17
安全储藏室.....	17
果菜盒.....	17
取出玻璃搁架.....	17
冰块与冰水自动分配器.....	19
冰块与冰水分配器性能.....	19
分配器灯光.....	19
冰水分配器如何工作.....	19
冰块分配器如何工作.....	20
冰块分配器提示.....	20
清洗冰块分配器.....	21
更换冰水过滤器.....	22
何时更换过滤器.....	22
更换过滤器.....	22
更换灯泡.....	23
要更换冷藏室灯泡:.....	23
要更换冷冻室灯泡—标准型号:.....	23
要更换冰水分配器型号灯泡:.....	23
清洁冰箱.....	24
有益提示.....	26
食物储存指南.....	29

# 说明

亲爱的用户：

感谢您购买了我们的产品。

按以下说明操作以确保您安全安装您的冰箱且冰箱能高效运行。

安装冰箱前请仔细阅读本说明

电源插座

应该

- 确保您的电源插座已接地。如您不确定，请电工帮您检查。
- 检查冰箱电源线长度是否能连接到插座。

不应

- 不要将电源线插入延长线中，也不要使用转换插头。
- 不要将电源线插入装有定时器的电源插座。

安放地点

应该

- 选择不是太寒冷的地方—环境温度应高于10°C。
- 冰箱放于干燥的地方，避免潮湿的环境。

不应

- 不要将冰箱放于严寒的或未经遮蔽的地方，如车库中或阳台上。
- 不要将冰箱直接置于直接阳光下。
- 不要将冰箱置于炉火、明火或加热器边。
- 不要将冰箱置于不平的地面上。

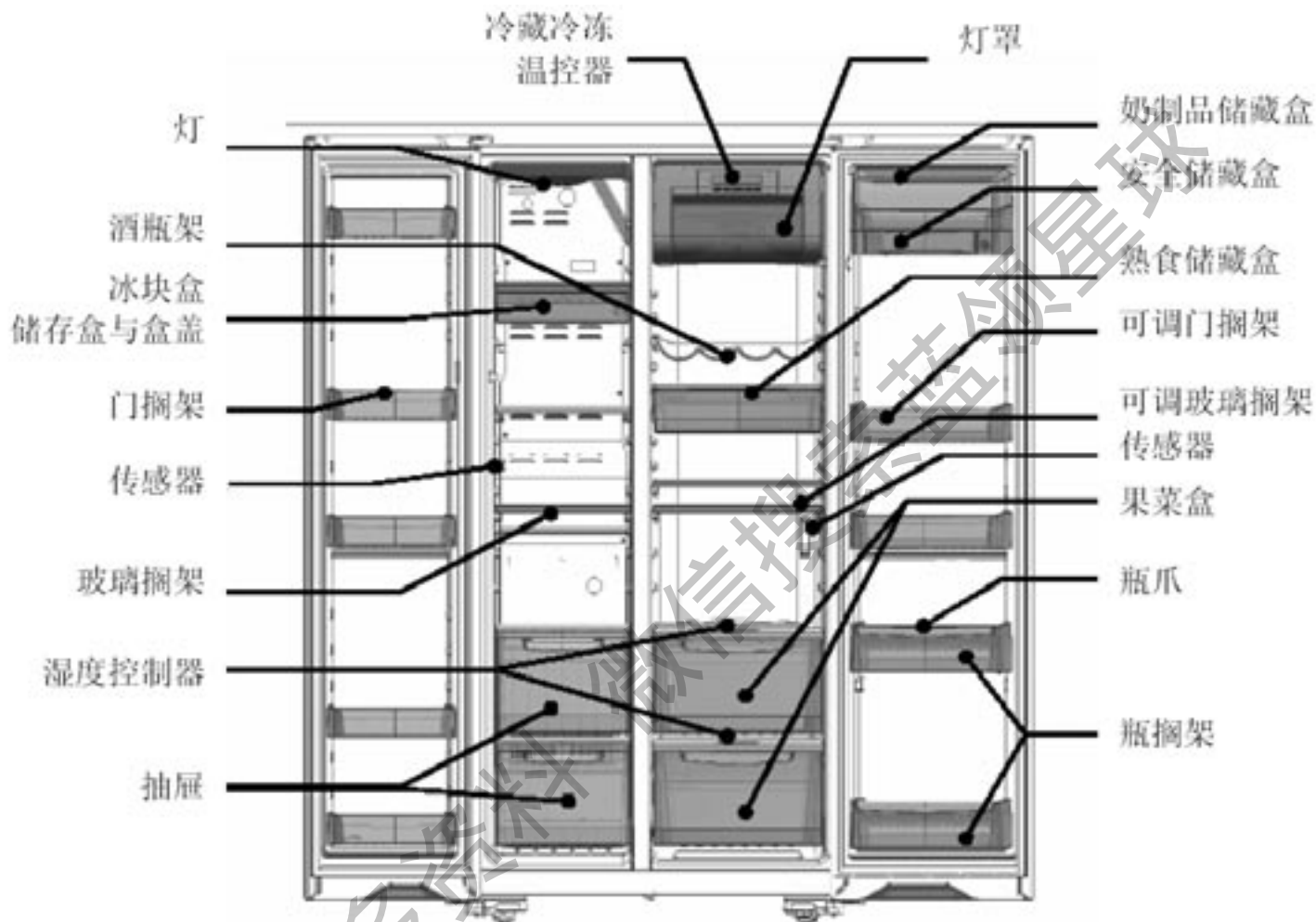


# 冰箱部件

## 冰箱的部件

在阅读如何保养冰箱前请了解下图。

## 标准型号

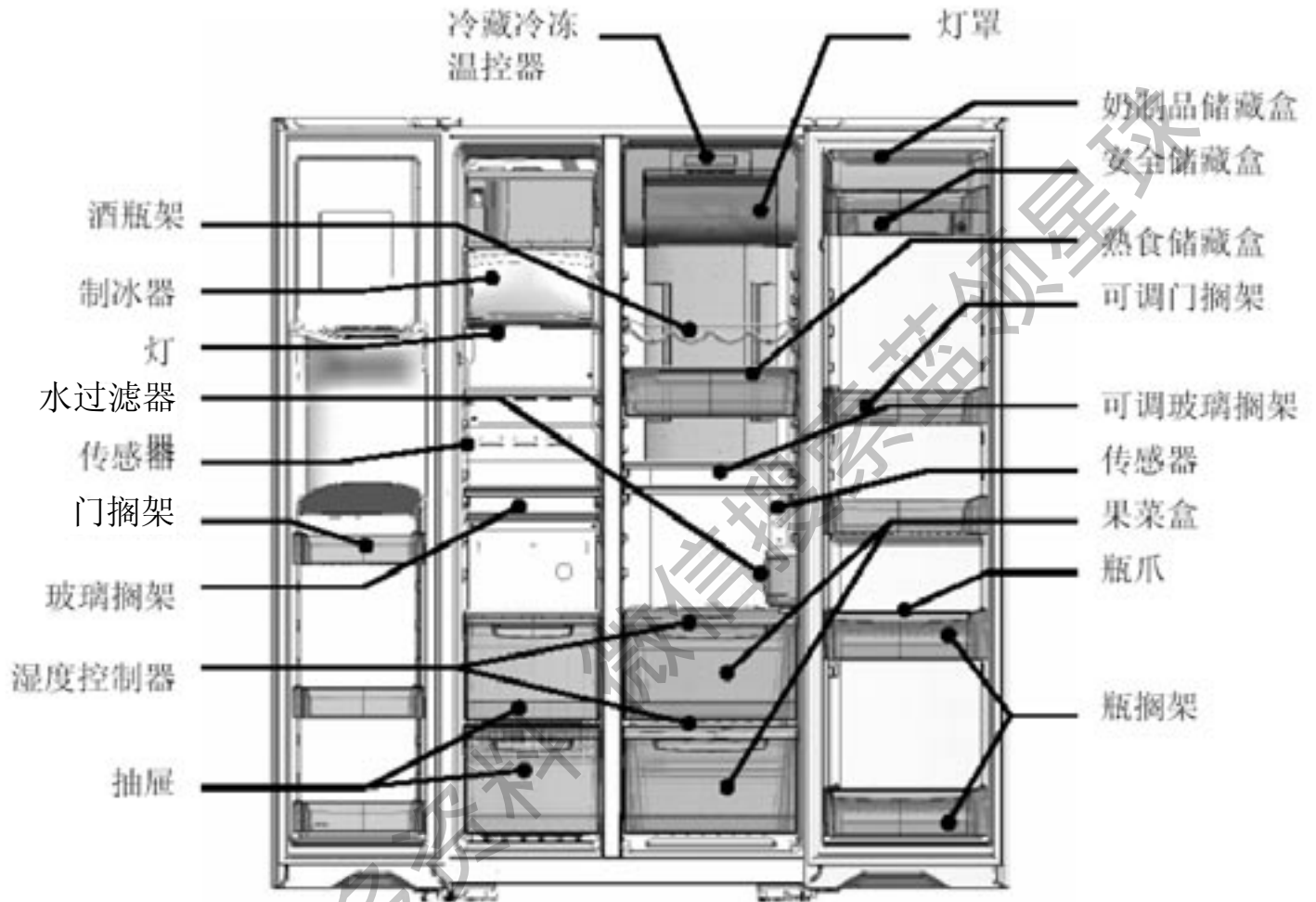


# 冰箱部件

## 冰箱的部件

在阅读如何保养冰箱前请了解下图。

## 制冰器型号





# 安装

要正确安装，您的冰箱应该：

- 背部、侧部与顶部留有足够空间。
- 与周围橱柜保持在一个平面上。
- 如双扇门部分开启，它们可以自动关闭。

清理冰箱四周

您的冰箱可置于橱柜或家具间，但要保证冰箱四周留出以下空间。

- 冰箱两侧留出最少0.5厘米空间（见图1）。
- 冰箱顶部铰链盖上方留出最少1厘米空间（见图1）。
- 冰箱背部留出2厘米空间（见图1）。

• 如果您将冰箱靠墙放，在冰箱门的铰链一侧留出25至30厘米空间。这个宽度也便于清洁冰

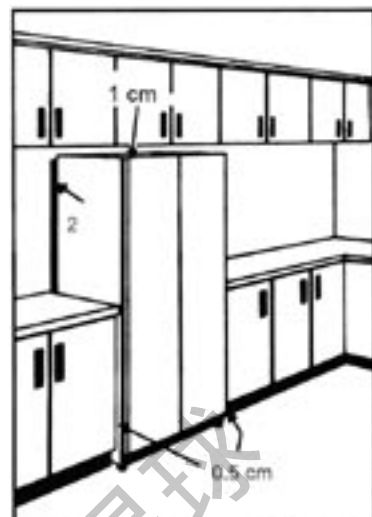


图1

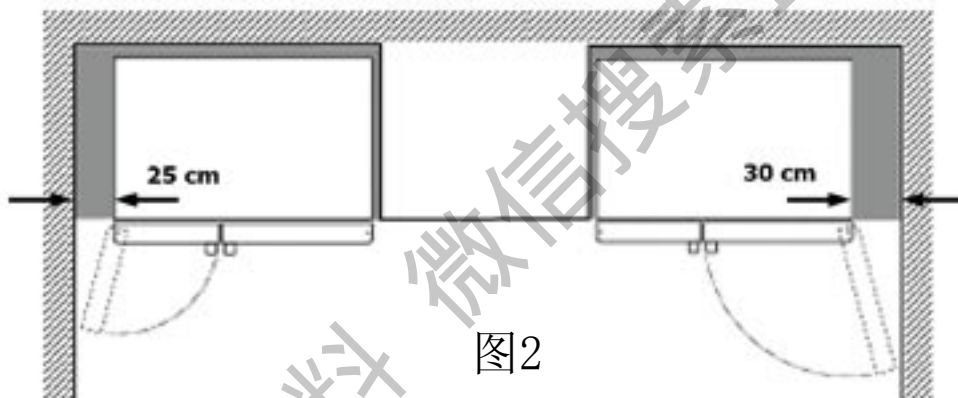


图2

- 确保橱柜或家具不会突出于冰箱箱体（见图2）

安装

冰箱送到您家时，其前轮已下调使冰箱顶部向后倾斜10~15毫米（见图3）



图3

# 安装

当您希望安装冰箱时，按以下步骤操作。

1. 将冰箱推至您希望放置的位置。



注意：轮子设计的方向只能是前后移动。轮子不是回旋脚轮。左右移动冰箱会损伤地板和轮子。

2. 建议调整冰箱顶部，使其向回倾斜10~15毫米。这样做可使冰箱门自动关闭从而保持门封条的密封（见图3）。

3. 如果冰箱不能回倾，您可以通过调整前轮上的两个塑料螺母来调节前轮高度（见第六页图6）。这个操作需要两人完成，一人将冰箱向后稍微倾斜，一人调节前轮。调节螺母可以增高或降低前轮高度。将螺母旋转一圈，可以调整冰箱高度约10毫米。

4. 如果将箱体放平，箱体两侧应垂直于水平面。如果箱体嵌入或部分嵌入橱柜，检查箱体两侧是否与橱柜平行（见图3a）。

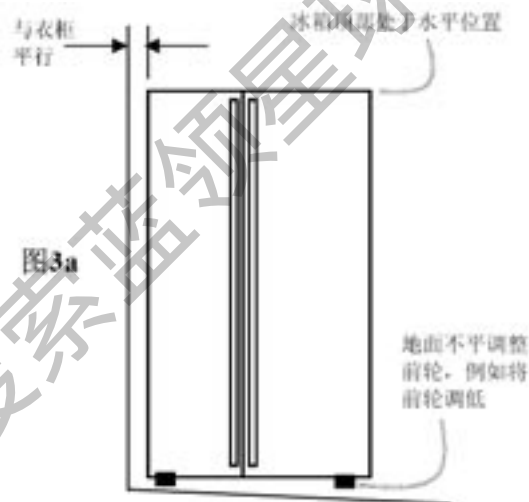


图3a

## 调整双门

1. 通过调整门铰链下的调节螺钉可以调整每扇门的垂直高度（见图6），两扇门可以向上或向下调整。根据调节高度，有时调整一扇门就够了（见图4，5）。

注意：当正确调整完前轮高度与调节螺钉后，冰箱应能平稳地置于地面上，两扇门保持在同一水平高度上。

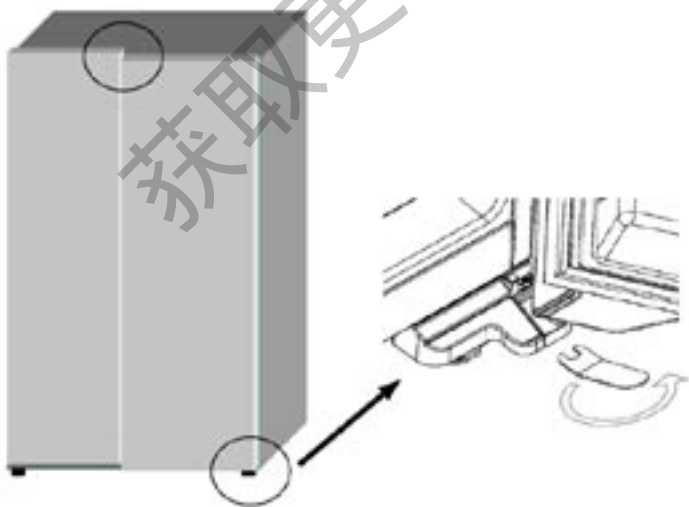


图4

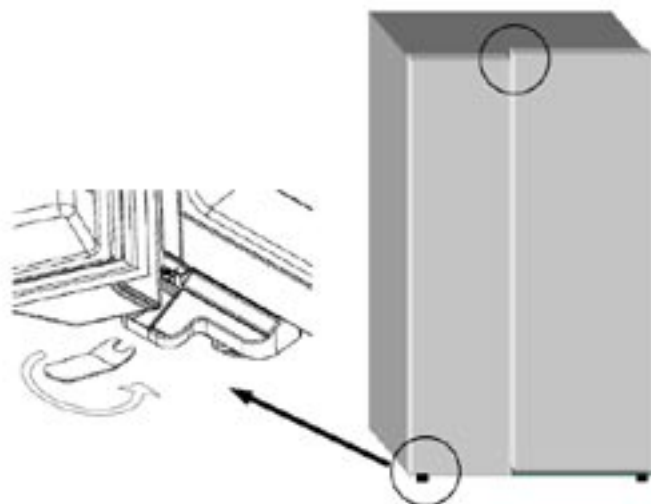
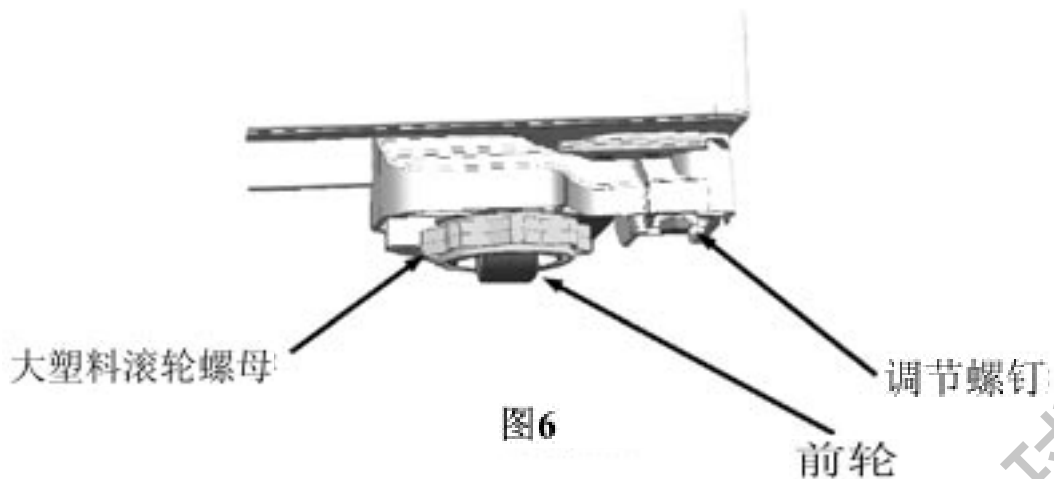


图5



## 内包装

使用前请去掉任何内包装材料。

BCD-555W 型号背部的导流管上附有塑料保护膜，安装前请移去保护膜因为它可能阻挡空气流动。

## 带制冰器的型号

如果您购买的是带有制冰器型号的冰箱，冰箱与水管的连接只能由持有执照的机修工、管子工或电工来完成。所有关于水管连接的相关信息在产品的水管组件中有详细说明，仅供安装人员使用。

自动冰、水分配器需要与可提供饮用水水管连接，其压力范围在：

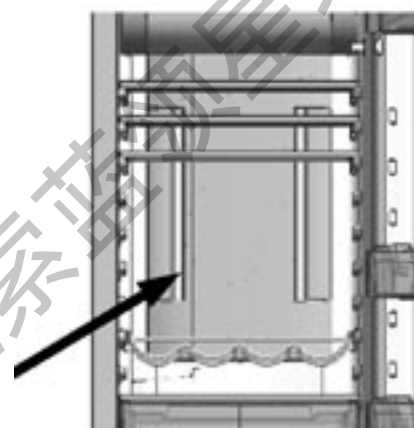
最小206 kPa (30 psi, 2.11 kgf/cm<sup>2</sup>)

最大689 kPa (100 psi, 7.04 kgf/cm<sup>2</sup>)

有些地区由于各地状况不同，其水压明显偏高。在这些地区必须使用减压阀。请确认您的冰箱安装人员在进行产品安装时检查了当地水压。

如果您是第一次使用冰箱，或您已经有一段时间没有使用分配器了：

- 不要饮用最初的七杯或八杯水。
- 不要食用最初24小时内制出的冰块（因为水管中的水可能不够纯净）



## 冷藏室/冷冻室操作

冰箱的背部与两侧发热是正常的。

背部与两侧发热是因为冰箱将置于内部的食物热量传递到外部空气中。

冷冻室冰箱背部后面装有制冷盘管，盘管冷却空气并去除空气中湿气。冷冻室背部的风扇将干燥的冷空气在冰箱内部循环。

不要将食物放在出风口以避免影响空气循环。

如果冷冻室门开关频繁，冷冻室内壁会偶尔轻微结霜。这是正常现象，在大部分气候条件下过几天会自然消失。

请确认每次在从冷冻室与冷藏室放和取食物后，门已关紧。如果门未关紧，冷冻室内壁会严重结霜。如果霜越积越多，请除霜。如果门关紧了，不会再结霜。

您选购的是一款高效节能型冰箱，使用的是一台高速运转的压缩机和其它高效节能零件，它们可能会发出与您以前使用的旧冰箱不同的噪音。这些噪音是正常的，噪音包括：

- 压缩机运行声。
- 风扇电机搅动气流声。
- 偶尔的汩汩声，类似于水烧开声。
- 化霜过程中的砰砰声。
- 压缩机

这些噪音是正常的，不会引起报警。

## 启动制冰器

如果制冰器没有连接到供水管，检查制冰器是否关闭。关闭制冰器只要将I/O开关放在“0”（关闭）位置（见图7）。



图7

## 冰箱启动

---

如果制冰器连到了供水管，检查制冰器是否打开。打开制冰器只要将I/O开关放在“I”（开）位置（见图7）。

获取更多资料 微信搜索蓝领星球

## 电子显示板

电子显示板安装在食物储藏室的顶后部。它包括一个带蓝色灯光的 LCD 显示器和7个按钮。当第一次通电时，显示的是图8中的默认值，并伴有蓝色背景灯光。



图8

## 温度调整

冷藏室默认温度是3°C，冷冻室默认温度是-18°C。如果您希望调整温度，参照下列说明。您应该微调温度，等待24小时看是否还需要进一步调整。

注意：设置的温度是箱体内的平均温度，每一储藏室内的温度根据储存食品多少、储存位置会有不同。环境温度的高低也会影响冰箱内的实际温度。

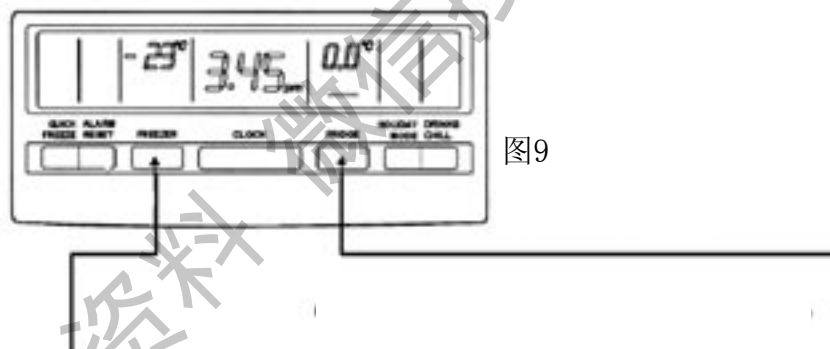


图9

### 改变冷冻室温度

按冷冻键 (freezer) 降低冷冻室温度，每按一次，温度降低1°C。当温度调整到-23°C时，再按一次按钮温度会回到-14°C。温度越低，条状图形越小。如果将温度设定在-14°C，条状图会不断闪烁，提醒您若长时间保存冷冻食物，这个温度太高了。

### 改变冷藏室温度

按冷藏键 (fridge) 降低冷藏室温度，每按一次，温度降低1°C。当温度调整到0°C时，再按一次按钮温度会回到7.0°C。温度越低，条状图形越小。

注意：试做冰淇淋是检验冷冻室温度的好办法，试做冰水是检验冷藏室温度的好办法。

时钟开与关

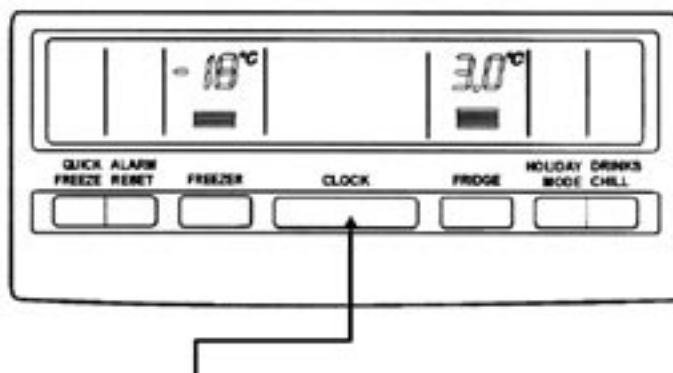


图10

按时钟按钮 (clock) 可将时钟开或关 (见图10)。注意：即使时钟显示处于关闭状态，时钟仍在继续。时间设置

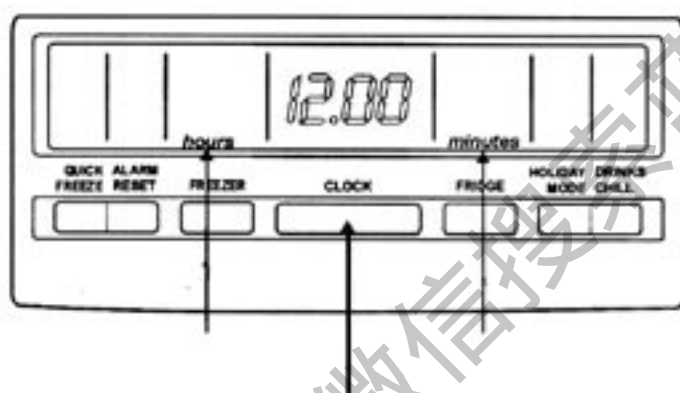


图11

1. 按下时间 (clock) 按钮并保持两秒钟，小时和分钟将显示在面板上，如图11。

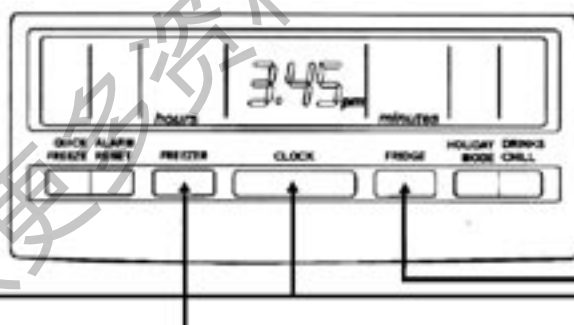


图12

2. 当按住时间 (clock) 按钮时，按下冷冻按钮 (freezer) 使时钟前进。(按住并保持按钮使时钟连续与快速前进)。12点过后将会显示PM。

3. 当按住时间 (clock) 按钮时，按下冷藏按钮 (fridge) 使分钟前进。(按住并保持按钮使分钟连续与快速前进)。

4. 当显示为正确的时间后，松开时间按钮。

## 快速冷冻功能

当您存放大量食物到冷冻室后，可使用快速冷冻功能，它可以快速冷冻食物。

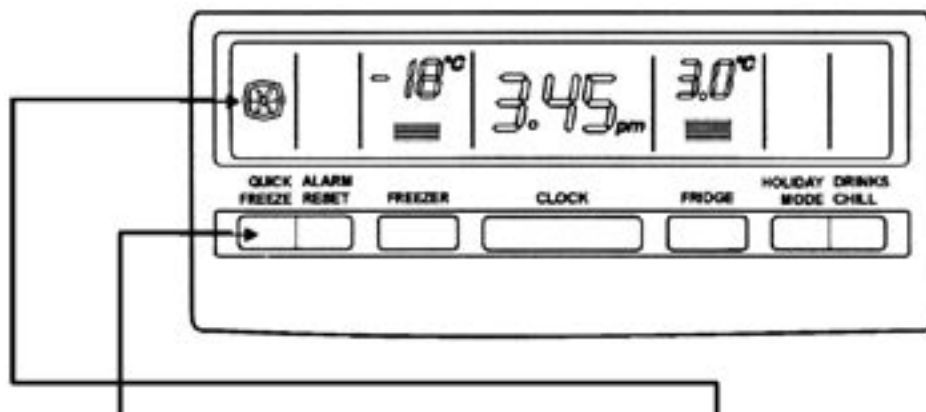


图13

要使用这个功能，只需按一下快速冷冻键（quick freeze），这时快速冷冻键上方屏幕上会有一个小图标亮起，快速冷冻功能将持续90分钟。如果您希望在90分钟前停止快速冷冻功能，只需再按一次快速冷冻键，图标消失且冰箱回到正常运行状态

## 假日模式

当您度假或长时间外出时可使用假日模式。冰箱处于假日模式时会减少化霜时间以减少耗电量，但同时维持冰箱设置的温度。

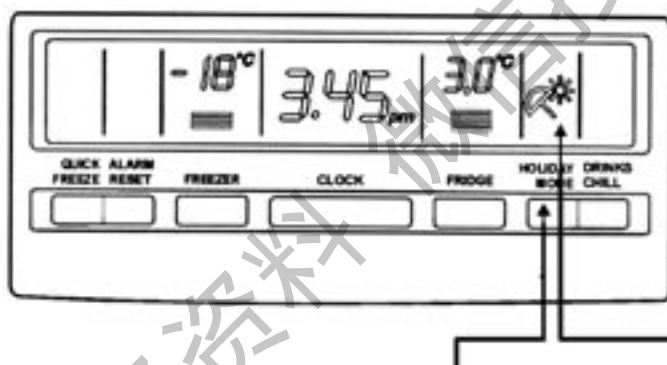


图14

要设置假日模式，只需按一下假日模式键（holiday mode），假日模式键上方屏幕上会有一个小图标亮起。假日模式开始运行，一直持续到再次按下假日模式键或冰箱门被再次打开。

## 开门报警

当冰箱门被打开且持续2分钟以上未关门时，蜂鸣声会响起，报警重设键（alarm reset）上方的屏幕上图标会闪烁，冷藏温度显示与条形图也会闪烁。

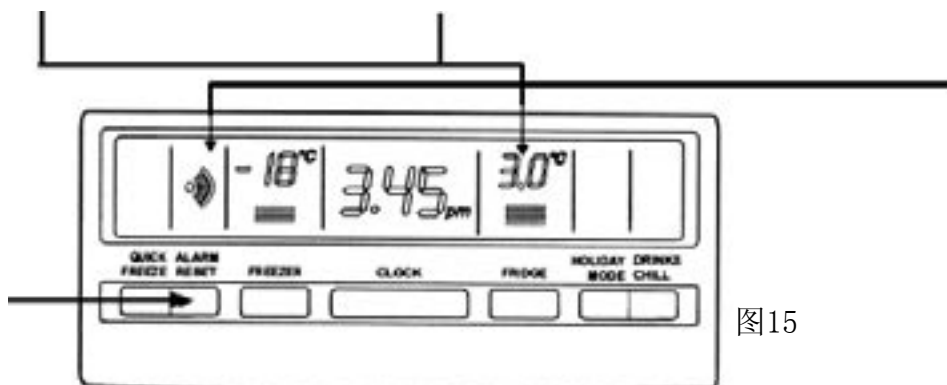


图15



如果报警响起而又没有明显原因，检查是否有东西使门不能关上。关上门并按下报警重设键，观察两分钟。如果您正将食物放入冰箱且希望保持开门状态，按下报警重设键，报警功能被关闭且可持续8分钟。

## 冷冻室温度报警

如果冷冻室温度过高，或冷冻室门被打开，或热的食物存放在太靠近冷冻室温度探头处（探头位置详见第4页“冰箱零部件”），蜂鸣声会响起，报警重设键上方的小图标会闪烁，冷冻室温度显示与条形图也会闪烁直到恢复报警。

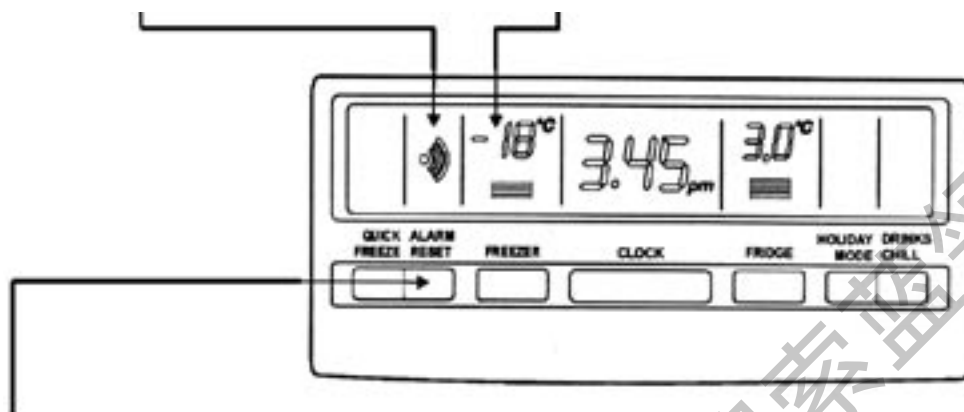


图16

按下报警重设键停止报警（冷冻室温度显示与条形图会继续闪烁15分钟）。确保没有任何东西卡住门使门不能关上，将热食物移开温度探头（第4页）。如果冷冻室温度还是过高，报警会在50分钟后再次响起，表明也许冰箱有故障。

## 饮料冷却计时器

如果您设置了饮料冷却计时器，它会报警提醒您冷冻室留有快速冷冻的饮料。

建议冷却时间：

- 罐装饮料 10 分钟
- 瓶装酒 20 分钟
- 瓶装软饮料 30 分钟

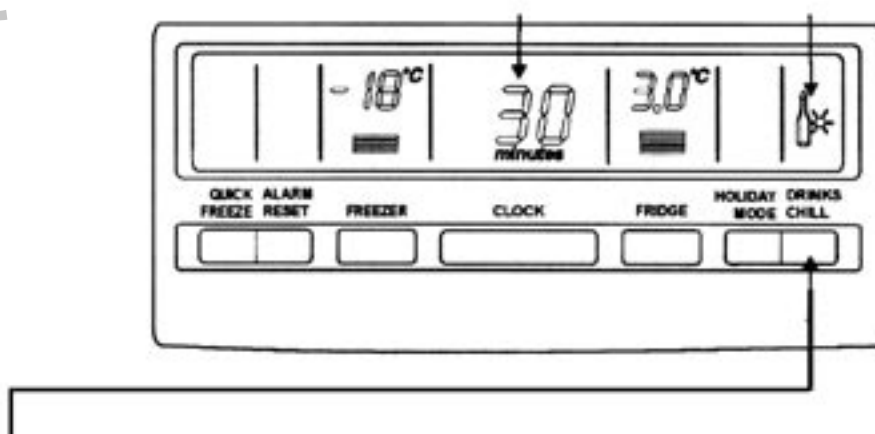


图17

如果报警响起而又没有明显原因，检查是否有东西使门要使用计时器，按一下饮料冷却键（drinks chill button）（见图17）。饮料冷却键上方屏幕上显示一小图标，这时时钟显示变为显示设定时间倒计时。按一次按钮设定10分钟，按两次设定20分钟，按三次设定30分钟，按四次关闭计时器。计时器以一分钟为单位倒计时，即使计时器已开始工作，您也可以调整设定时间或关闭计时器。当倒计时结束，蜂鸣声响起，报警重设键上的图标闪烁，直到按下报警重设键（见图18）。

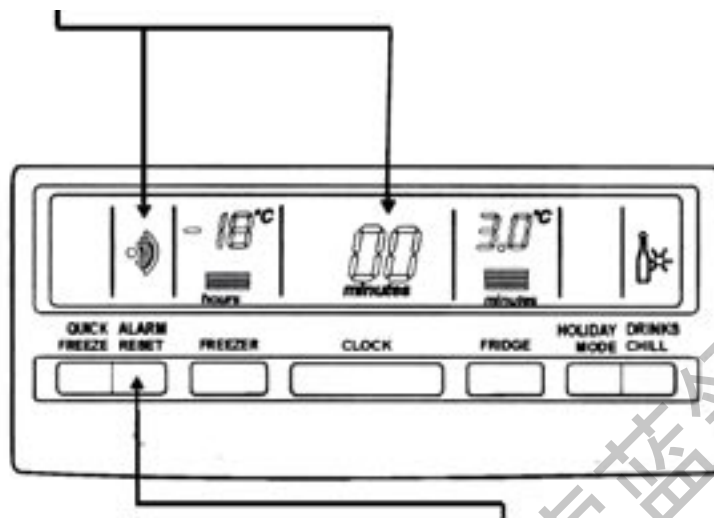


图18

要停止报警并关闭饮料冷却计时器，按一下报警重设键。如果饮料已经被冷却，将它从冷冻室取出。如果饮料还不够冰，重新设置饮料冷却功能（记住这时饮料已经被部分冷却）。

## 其它电子功能

您的冰箱：

- 能分别控制压缩机与风扇以提供最优性能。
- 根据开门次数频繁程度提供额外制冷量。
- 当门未被频繁开启时，冰箱会自动化霜。
- 屏幕上的显示有90秒钟的记忆功能，防止因短时间的突然停电而造成时间与设置数据丢失。
- 当开启冷藏门时有蓝色背景光（仅指带冰水分配器型号）。

注意：如果您发现显示有故障，这可能是由于短期供电故障导致的。如果是因为断电引起的，您只需关闭冰箱电源，等待5分钟，等冰箱压力趋于平衡，然后再次开启冰箱电源。

## 温度故障分析

1. 不要将盘子等可能会伸出玻璃搁架后边缘外的物体放入冰箱内，这可能会阻止冷空气循环，使冰箱内部温度不均匀，造成上玻璃搁架结冰。

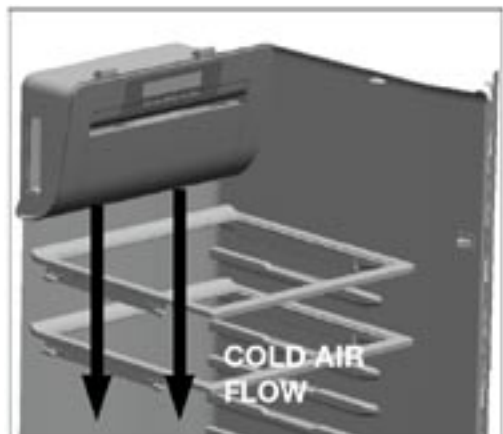


图19



图19

图20

2. 食物存放要避免遮挡冷冻室温度传感器，这会影响冷冻室内温度。如果过热食物靠近传感器，它可能导致冷冻室温度报警停止工作50分钟。

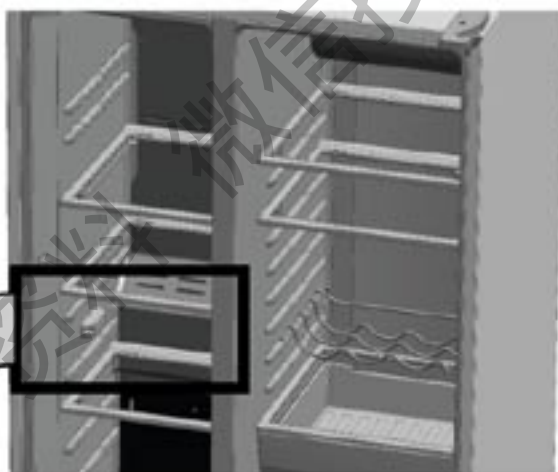


图21

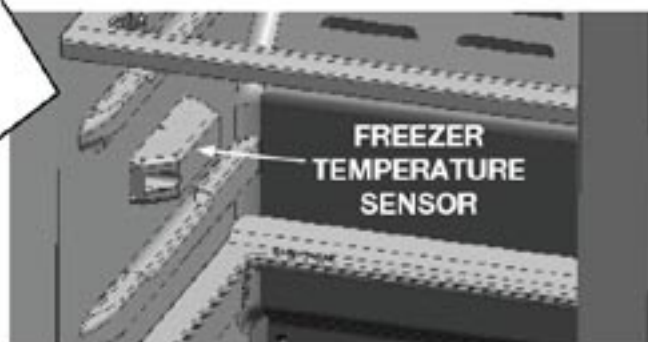
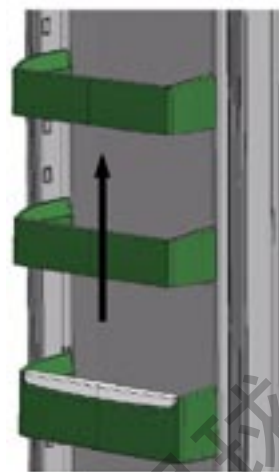


图22

## 食物储藏室性能

### 安装在内门的储藏盒

冷冻门和冷藏门上都装有储藏盒，您可以调整储藏盒位置的高度以适应存放不同物品的需要。所有装在门体上的储藏盒都可以取出清洗。如果您想取出或调整储藏盒位置，将它从门内胆上的支座中提起即可，放回时将储藏盒下压直到被锁住在支座中（见图23）。



提起储藏盒并取出

图23

### 奶制品储藏室

您可以将黄油、人造奶油、奶酪等食物储藏在奶制品储藏室。奶制品储藏室的温度比冰箱其它储藏室的温度稍高。

### 安全储藏室

安全储藏室可用硬币将其锁住（见图24）。要锁住安全储藏室只需将一枚硬币放入硬币槽，逆时针转动硬币直到硬币槽处于水平方向。解锁时，顺时针转动硬币直到硬币槽处于垂直方向。

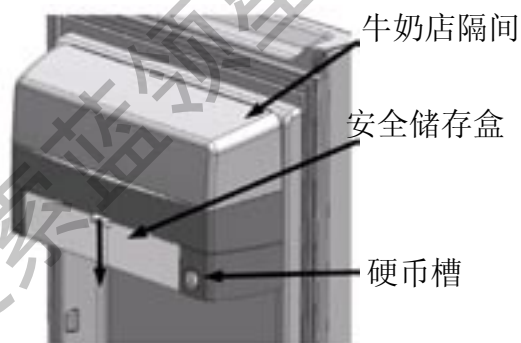


图24

### 果菜盒

您可用果菜盒储存蔬菜、水果和其它物品。您可以调整湿度滑动控制器（humidity slide control）来改变果菜盒内的湿度（见图25）。

### 储存蔬菜

您应将蔬菜存放在果菜盒中，记住存放蔬菜时要将湿度滑动调节器放在蔬菜档上

### 储存水果和其它物品

您也可将水果和其它物品存放在果菜盒中，记住此时要将湿度滑动调节器放在水果档上。



图25

### 取出果菜盒

将果菜盒向外拉出直至停止，提起果菜盒，然后继续将其外拉取出。

### 取出玻璃搁架

为了您能更容易地存取食物，冷冻室和冷藏室都配有玻璃搁架。按以下步骤取出玻璃搁架（见图26）。

1. 轻轻将玻璃搁架拉出直到停止。
2. 将玻璃搁架稍稍提起。

3. 继续将玻璃搁架外拉取出。

要将玻璃搁架放回，确保搁架后面没有任何东西挡住它，轻轻将搁架推入箱体内，直到推不动，将玻璃搁架下沉到原位。



图26

1. 轻轻将玻璃搁架拉出直到停止。
2. 将玻璃搁架稍稍提起。
3. 继续将玻璃搁架外拉取出。

要将玻璃搁架放回，确保搁架后面没有任何东西挡住它，轻轻将搁架推入箱体内，直到推不动，将玻璃搁架下沉到原位。

获取更多资料 微信搜索蓝领星球

## 冰块与冰水分配器性能



图27

冰块与冰水分配器能方便地制出冰水、冰块和碎冰（见图27）。

如果要制冰块，在触摸控制板上选择冰块（ice）。将玻璃杯靠住并后压分配器阀门板。抓住玻璃杯上部使其尽量靠近出冰口，冰块不会漏出玻璃杯。要停止出冰块，将玻璃杯从分配器阀门板移开。等冰块出完后再将玻璃杯移开。

如果要制冰水，将玻璃杯靠住并后压分配器阀门板。要停止出冰水，将玻璃杯从分配器阀门板移开。安装在分配器底部的接水盘可以收集溅出的小水滴并使水滴蒸发。接水盘可以取出清洗并适用于洗碗机清洗。不要将水或冰块倒入接水盘，因为它并未连接到下水管路。

## 分配器灯光

接触摸控制板上的灯光键可以打开或关闭分配器的灯光（见图28）。如灯泡出现故障，请使用相同的灯泡替换。

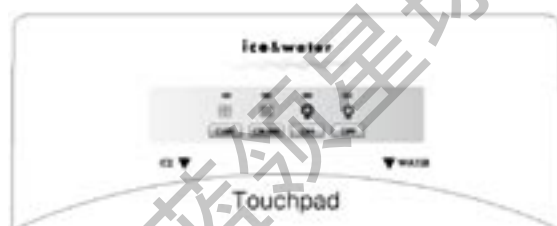


图28

## 冰水分配器如何工作

冰水分配器的储水箱安装在冷藏室果菜盒的背部。当您在分配器处取水时，水箱自动进水。要使您的分配器正常工作，供水水压应在30 psi至100 psi（206-689 kPa, 2.11 - 7.04 kgf/cm<sup>2</sup>）之间。

当冷藏室水箱与供水管连接完毕后，将玻璃杯抵住分配器阀门板让水箱进水。要使水能从分配器中流出，需要用玻璃杯抵住阀门板约1.5分钟。

不要饮用此水，因为水中可能含有杂质。

不要饮用从冰水分配器流出的头八杯水，也不要食用最初24小时内制出的冰块。



注意：-发生故障的软化剂流出的化学物质会损害制冰器。如果制冰器与软化水相连，确保软化剂处于良好状态且工作正常。



# 冰块与冰水自动分配器

## 冰块分配器如何工作



图29

制冰器与储冰盒安装在冷冻室的顶部。冷藏室与供水管安装完毕并已冷却数小时后，制冰器开始制冰，24小时内可以制出第一批冰块。头几批也许不能制出整盒冰块，因为冷藏室管路中存有空气。

要开始制冰，将I/O开关打到ON位置（“I”）。如果分配器没有冰块出来，它需要两天时间将储冰盒装满。当储冰盒已满，制冰器自动停止运行。要停止制冰，将I/O开关打到OFF位置（“0”）。（见图29）

首先制出的数批冰块可能被着色或有异味，这是因为连接冰箱的新管路所致的。丢弃这些冰块直到冰块未着色或没有异味。

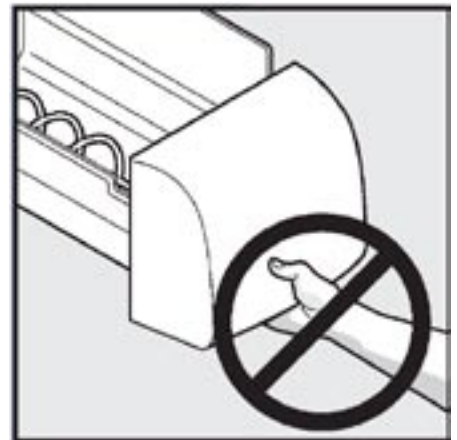
## 冰块分配器提示

- 冰块储存时间太久可能会产生异味，将储冰盒取出并丢弃异味冰块。当把储冰盒放回时，确保金属信号臂（wire signal arm）处于储冰盒内，制冰器会重新制冰。
- 偶尔摇晃储冰盒使冰块与储冰盒分离。
- 当您收到送货来的冰箱后，将“I/O”开关保持在关“0”（OFF）位置，直到冰箱与供水管相连。当供水管关闭时，也应将“I/O”开关保持在关“0”（OFF）位置。



注意：-如果分配器阀门板被抵住超过4分钟，分配器电机会因负荷过载而停止工作。3至4分钟后，过载保护器会自动恢复设置。

- 如果一次需要大量冰块，最好直接从储冰盒中取。
- 当制冰器正在工作时，通常能听到以下声音：
  - 电机运转声
  - 冰块落入储冰盒中
  - 水阀的开、关声



### 注意

当安装或取出储冰盒时，不要把冰块滑道当作拉手，不要将手指放入冰块滑道。

## 清洗冰块分配器

定期清洗分配器与储冰盒，尤其是在您度假或外出前，如果分配器发粘也应清洗。

要清洗分配器：

1. 将“I/O”开关放在关“0”（OFF）位置
2. 把储冰盒向上提并取出，清空储冰盒并用中性洗涤剂清洗，仔细漂洗储冰盒，确保没有洗涤剂残留。不要使用刺激性的或有腐蚀性的洗涤剂。将储冰盒完全晾干后再放回到冷冻室中。
3. 将碎冰从支撑储冰盒的搁架、斜槽中清除；清洗这些地方。
4. 将储冰盒放回，确保金属臂在储冰盒中（见图30）。

重要：当取出或放回储冰盒时，不要转动盒中的螺旋。如果螺旋意外被转，必需校正螺旋，使其旋转90度，直至制冰盒与驱动装置相吻合（见图31）

**i** 如有以下情况，将储冰盒取出并清空：

1. 长时间断电（一小时或一小时以上）使储冰盒中冰块融化，然后又冻在一起堵塞分配器。
2. 如果不经常使用冰块分配器，冰块容易在盒中冻在一起堵塞分配器。如果发生此现象，将储冰盒取出，摇晃它使冰块松动。

不要使用碎冰锥或类似尖物将冰块分开，这会损坏储冰盒与分配器。

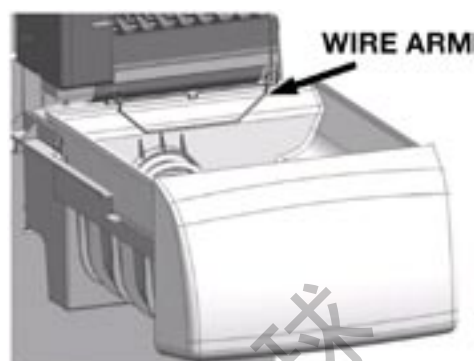


图30

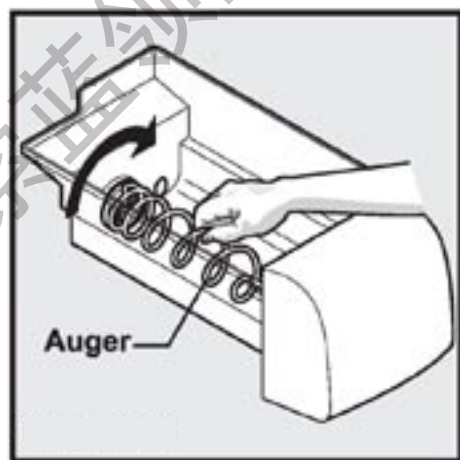


图31



# 更换冰水过滤器

如果您购买的冰箱带有冰块与冰水过滤器，请仔细阅读以下保养与使用信息。

冰块与冰水过滤系统能净化流入制冰器与水分配器的水，它安装在冷藏室中上果菜盒的右上部。

## 何时更换过滤器

世界各地水质各不相同，但每6~9月更换一次过滤器能确保提供高品质的水。如果冰箱中的过滤器很长时间未使用（例如由于搬动等原因），在重新安装冰箱前更换过滤器。

## 更换过滤器

更换过滤器时不需要关闭供水管，然而要确保冰块分配器开关处于关闭“0”（OFF）位置。

要更换过滤器：

1. 打开冷藏室门，将过滤器盒盖向外滑出（见图32）。
2. 逆时针方向推控制杆（见图33）使旧虑芯盒弹出。将旧虑芯盒向外滑动并取出。
3. 取一新的虑芯（向经授权的伊莱克斯服务网点购买），移去入口与出口的盖子。
4. 将新虑芯滑入并推到位。

注意：当新的虑芯安放到正确的位置时不会发出到位的滴答声。要确保虑芯被正确安放好，可将虑芯轻轻外拉，如果虑芯不能拉出，表明已正确安装到位。

5. 将过滤器盒盖放回。
6. 关上门，从分配器中倒一杯水，检查过滤器是否漏水，擦去过滤器盒与果菜盒边上的小水滴。
7. 为了清洗过滤系统并清除水管中空气，再倒出几杯水，再次冲洗系统30秒钟以确保纯净的水储存在水箱中。



图32

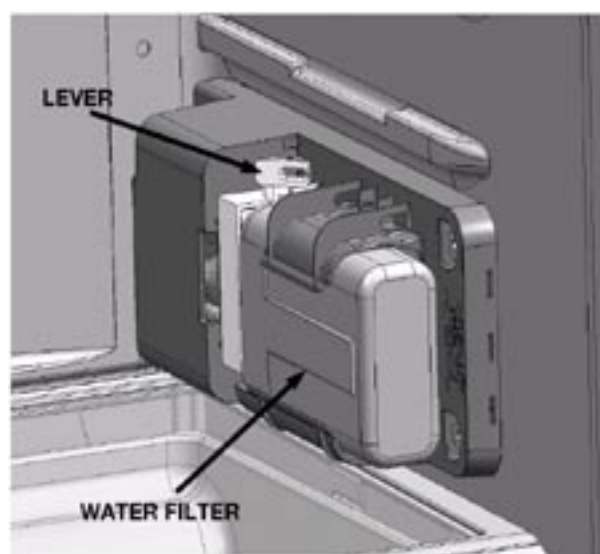
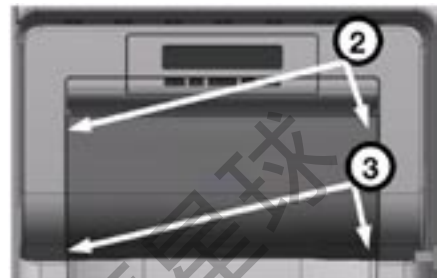
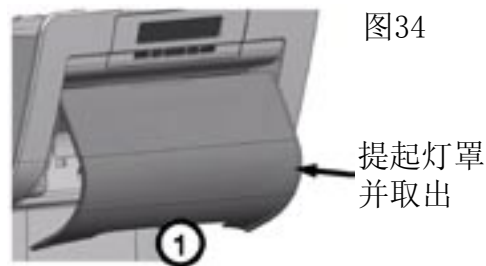


图33

# 更换冰水过滤器

## 要更换冷藏室灯泡:

1. 检查温度设置并记录下来。
2. 关闭冰箱电源并拔出冰箱插头。
3. 如图34所示, 将手指插入点(1)处打开灯泡罩板。
4. 将灯泡罩板提起并取出, 旋出旧灯泡。
5. 换上同样类别与相同瓦数的灯泡。
6. 将灯泡罩板两边的突出点插回点(2)处, 并用双手推罩板点(3)处(见图35), 将罩板安回原位。
7. 插上冰箱电源, 重新按原数据设置温度。



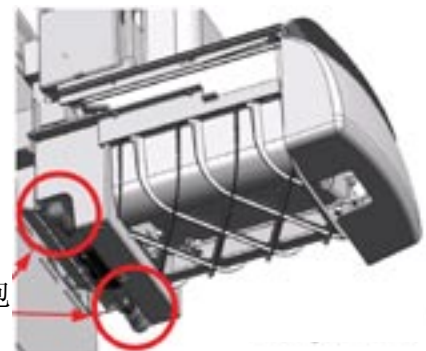
## 要更换冷冻室灯泡—标准型号:

1. 检查温度设置并记录下来。
2. 关闭冰箱电源并拔出冰箱插头。
3. 小心将灯罩后方的突出物, 点(1), 向外拉(见图36)。
4. 旋出旧灯泡, 换上同样类别与相同瓦数的灯泡。
5. 将灯罩前的突出物装到位, 向上推灯罩后部(点(1)), 将灯罩安装回原位。



## 要更换冷冻室灯泡—冰块与冰水分配器型号:

1. 查温度设置并记录下来。
2. 关闭冰箱电源并拔出冰箱插头。
3. 旋出旧灯泡, 换上同样类别与相同瓦数的灯泡(见图37)。
4. 插上冰箱电源, 重新按原数据设置温度。



## 要更换冰水分配器型号灯泡:

1. 查温度设置并记录下来。
2. 关闭冰箱电源并拔出冰箱插头。
3. 用手指将灯罩滑到开位置(不要卸掉螺丝)。(见图38)。
4. 旋出旧灯泡, 换上同样类别与相同瓦数的灯泡。
5. 将灯罩滑回关原位。(见图39, 40)。
6. 插上冰箱电源, 重新按原数据设置温度。

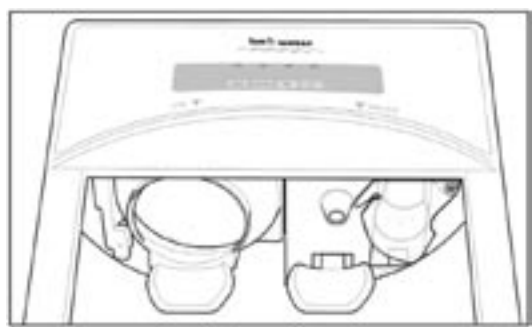
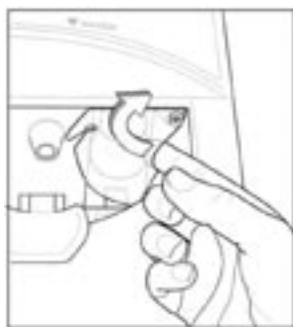


图38

图39

图40



清洁前：-拔出冰箱插头。这能确保在清洁电器过程中不会触电。

## 清洁冰箱外部

### 箱体

至少每年抛光一次箱体外部是好做法，就像您用于您的爱车一样，使用高品质的蜡来抛光箱体外表。之后，不定期地用干净、潮湿的布擦除箱体上的指纹印。

注意：不要在塑料件或装饰条上打蜡。用含有无气味的洗涤剂的温水（不是烫水）洗涤它们。

### 门板—喷粉门

与以上箱体的清洗方法一致。

### 门板—不锈钢门板

您所选购的不锈钢门冰箱采用的是防指纹的不锈钢。这种不锈钢有一种特殊的、先进的保护涂层，它可以轻易地去除各种印痕如指纹印或水渍印。要使您的不锈钢门冰箱看起来光鲜，您应该定期清洗它。使用一块软布和微温的肥皂水擦拭门体，用清水漂洗，用清水与干净而柔软的布将门上的肥皂残留擦除。



不要使用可磨蚀箱体的织垫或可能会产生划痕的清洁剂清洗冰箱，安装完毕后产生的类似的箱体损伤不在保修范围内。

注意：擦拭不锈钢门板时要顺着钢板的纹理方向擦，避免对门体外表产生意外划痕。

### 取出接水盘

水可以在接水盘下的凹处积累，它可以接住漏下的水滴，避免水顺着门往外流。

要清洗，按以下步骤取出接水盘：

1. 用指尖向下压接水盘后部。
2. 将接水盘向外拉。
3. 要安回接水盘，将它滑入并推到位（见图41）

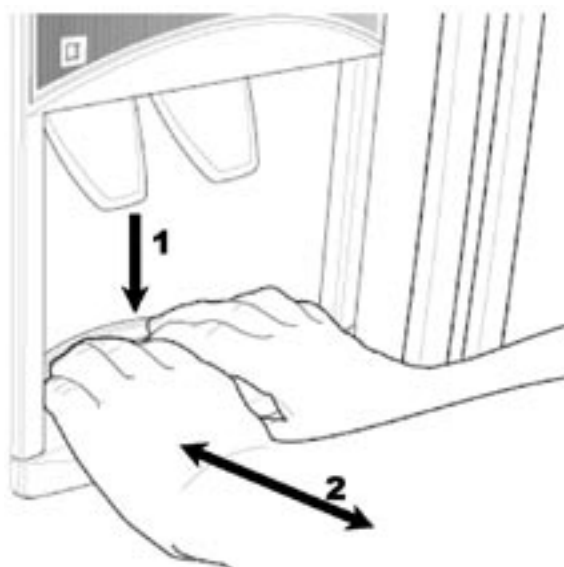


图41

## 清洁箱体内部

您应定期清洁箱体内部，当冰箱内食物存放量最小时清洁箱体最容易。用一块软布和微温的不含香气的肥皂水擦拭，让箱体内表面与各搁架等彻底干透。避免让水流入冰箱控制系统。如果您取出了搁架、果菜盒等部件，将它们放回箱体，在放食物前先打开冰箱电源。及时擦去冰箱内溅出的食物，保持箱体清洁。

## 保持门封条清洁

保持门封条清洁。粘的食物或饮料会使门封条与箱体粘在一起，开门时导致门封条撕开。用柔和的洗涤剂 and 温水擦洗门封条，用清水漂净并彻底晾干。



注意：-不要使用热水、溶剂、商用厨房清洁剂、气雾剂、金属光亮剂、有腐蚀或磨蚀性的清洁剂、钢丝球等物品清洁冰箱。很多用于商用的清洁剂含有可融解物质，会损害您的冰箱。清洁冰箱时，只需使用一块软布、一块无气味的肥皂和温水

---

获取更多资料 微信搜索蓝球

### 节电（用电成本）

以下指南能帮助您降低冰箱运行成本，它不但能替您省钱，还能节省我们稀缺的电力资源。

- 如果您还保留旧的冰箱，如果没有使用，为了省电可关闭电源。
- 不要将冷冻室温度设置太低。冷冻24小时后，冰激凌应已固化，但能用调羹舀出来而不会折弯调羹柄。如果冰激凌太硬（或者太软），调整冷冻室温度控制（见第11页，‘温度调整’）。
- 关冰箱门时确保门封关严了。
- 当您决定打开冰箱门时，想好要放入或取出什么，这能减少开门次数。
- 不要将冰箱放在阳光直射的地方，也不要将它放在任何加热电器边，例如不要放在灶具、烤炉或洗碗机边。
- 在将热食物放入冷冻室前，先将它们冷却到室温再放入。
- 再冷冻食物放入冷藏室解冻。
- 如果冷冻室放满食物，当您开门时，冷冻室内的冷冻食物可以帮助维持冷冻温度。
- 不要堵住出风口，如果堵住了出风口，冰箱运行时间延长，会更耗电。

### 关闭冰箱

如果您只是短期外出度假，没有必要关闭冰箱。

如果您长时间在外度假且希望关闭冰箱，请按以下步骤操作。

1. 将全部食物从冷藏室与冷冻室取出。
2. 关闭冰箱并将电源插头拔出。
3. 清洁冰箱内部。
4. 将所有冰箱门打开，这能防止细菌在箱体内滋生，防止冰箱内产生异味。

## 停电

如果您所居住的地区停电，保持冷冻室门关闭，冷冻室内大部分食物在24小时内能保持冰冻状态。

## 安全

安全地使用冰箱很重要。这表示当有孩子和老人使用冰箱时，您应监督好他们，确保小孩不要玩冰箱。请按以下提示操作。

### 应该

- 检查电源插座是否正确接地—如果您对此不确信，请电工帮您检查。没有接地的电源插座能导致触电。
- 当您清洁或搬动冰箱前，请关闭电源并拔出冰箱插头。
- 如果电源线损坏，请产品制造商、服务网点或有资质的人员更换。这可以避免安全事故。

### 不应

- 不要让孩子玩耍冰箱。
- 不要将喷雾器、有爆炸性的液体或可燃性的液体放入冰箱。
- 不要将起气泡的饮料放入冷冻室。
- 不要舔刚从冷冻室拿出的冰冻食物，这会冻伤您的舌头与嘴唇。
- 不要试图自己修理冰箱。
- 不要使用电加热器或干燥器给冷冻室化霜，这可能导致触电。
- 不要在冷藏室内使用电器。



冰箱发泡层内含有可燃催化气体，出于安全考虑，请谨慎处理旧冰箱。

不要损坏含有制冷剂的制冷管路与制冷配件。



注意：-当您处理旧冰箱时，请将所有的门拆卸下来。如果孩童被卡入箱体内，可能导致窒息。

## 储存食物的有益提示

应该

- 购买最新鲜、质量最优的食物并将它们尽快放入冰箱。
- 放入冰箱的食物用塑料薄膜或锡箔纸包上，防止水分蒸发。
- 放入冰箱的食物用塑料薄膜或锡箔纸包上，防止产生异味。
- 鱼与家禽在放入冰箱前，清洗干净并包好。
- 家禽在放入冰箱前将，将内脏掏空减少细菌滋生。
- 生鸡蛋在放入冰箱时，把鸡蛋的尖部朝下摆放。



不应

- 不要将香蕉、鳄梨或芒果储存在冰箱内，它们会变黑、变软。
- 不要将很烫或很热的食物放入冰箱，先让他们在外面冷却。



## 冷冻食物的有益提示

当食物价格较便宜时，您可采购大量食物并放入冷冻室储存。您可以多做些菜或将它们冰冻起来今后再用。

应该

- 购买最新鲜、质量最优的食物并将它们尽快放入冷冻室。
- 把食物放入冷冻室前，请将它们装入塑料袋或用塑料薄膜包好。
- 把塑料袋中的空气挤出来，可以防止结霜。
- 当您从超市买回冷冻食品，如果需要用冷冻室存放，请保留它们的包装。
- 用冷藏室来化霜冰冻食物，尤其是鸡肉与鱼，这可以避免细菌滋生。
- 化霜时，不要拆开食物包装。
- 化霜完毕后的食物请立即处理。

不要将化霜过的食物再次冷冻。

## 食物储存指

冰冻 肉类	<ul style="list-style-type: none"> <li>将肉分块切好。</li> </ul>	最长储存6个月
	<ul style="list-style-type: none"> <li>肉在放入冷冻室前，将肉装入塑料袋，并把塑料袋中空气挤出。</li> </ul>	
	<ul style="list-style-type: none"> <li>将香肠与汉堡包馅饼分别摆入盘中，将盘子放入冷冻室1小时直至它们变硬。将它们分别用塑料膜包好，再分别放入塑料袋中，挤出塑料袋中空气，再次将它们放入冷冻室</li> </ul>	最长储存香肠、肉末、咸肉1个月
	<ul style="list-style-type: none"> <li>将连接骨、大块肉、牛排、猪排分别用塑料膜包好或将它们分别放入塑料袋，挤出塑料袋中空气后再放入冷冻室储存。连接骨与大块肉再烹饪前需解冻，而牛排与猪排在冰冻状态可以直接烹饪。</li> </ul>	最长储存6个月
	<ul style="list-style-type: none"> <li>将肝脏、肾脏与其它下水用塑料膜分别包好或分别装入塑料袋，挤出塑料袋中空气后放入冷冻室储存。</li> </ul>	最长储存2个月
冰冻 家禽	<ul style="list-style-type: none"> <li>用冷水清洗家禽，使之干燥，包好后放入冷藏室一晚。取出，用塑料膜包好或装入塑料袋，挤出塑料袋中空气后放入冷冻室储存。</li> </ul>	最长储存6个月
	<ul style="list-style-type: none"> <li>将整只或半只家禽切碎后，放入塑料袋，挤出塑料袋中空气后放入冷冻室储存。</li> <li>冷冻家禽前，不要在其肚内填塞东西。</li> </ul>	最长储存6个月
	<ul style="list-style-type: none"> <li>将鸡块装入单层塑料袋，挤出塑料袋中空气后放入冷冻室储存。</li> <li>鸡块可以在冰冻状态下烹饪。</li> </ul>	最长储存4个月
	<ul style="list-style-type: none"> <li>将鸡丁放入盘中，将盘子在冷冻室冰冻1至2小时，取出，将鸡丁装入单层塑料袋，挤出塑料袋中空气后放回冷冻室储存。</li> </ul>	最长储存4个月
	<ul style="list-style-type: none"> <li>将熟鸡装入密闭容器中放入冷冻室储存。</li> </ul>	最长储存3个月



## 食物储存指南

冰冻 海鲜	<ul style="list-style-type: none"> <li>只购买新鲜海鲜来冰冻。</li> </ul>	
	<p>鱼</p> <ul style="list-style-type: none"> <li>把鱼清洗干净，准备好使其从冷冻室取出后可直接烹饪。将鱼切成块，用塑料膜包好，将它们装入塑料袋，挤出塑料袋中空气后放入冷冻室储存。鱼片在冰冻状态下可直接烹饪，即使您没有敲击或搓碎它。</li> </ul>	储存2—4个月
	<p>虾</p> <ul style="list-style-type: none"> <li>将熟虾去壳、洗净，将它们放入密闭容器中，加入盐水，将密封容器放入冷冻室快速冷冻。绿色的虾完全冻结，可在冰冻状态下直接烹饪。</li> </ul>	最长储存4个月
	<p>螃蟹与小龙虾</p> <ul style="list-style-type: none"> <li>将新鲜螃蟹与小龙虾放入烧开的盐水中（每升水中加入一小勺盐）煮上10—20分钟。取出后滴干、冷却。将螃蟹与小龙虾去壳清洗，取出肉放入密闭容器中，加入盐水，将密封容器放入冷冻室快速冷冻。</li> </ul>	最长储存2个月
冰冻 蛋糕与 馅饼	<p>饼干</p> <ul style="list-style-type: none"> <li>将烘烤过或未烘烤过的饼干放入塑料袋或密闭容器中，然后放入冷冻室储存。</li> </ul>	最长储存2个月
	<p>蛋糕与糕点</p> <ul style="list-style-type: none"> <li>将它们用塑料膜包好或放入塑料袋中，可以整块储存，也可以分块储存。带生奶油的蛋糕也可以被冰冻。</li> </ul>	冰冻蛋糕最长可储存4个月，非冰冻蛋糕最长可储存6个月

## 食物储存指南

冰冻 蛋糕与 馅饼	新鲜面包与蛋卷	最长储存12个月
	<ul style="list-style-type: none"><li>• 将它们用塑料膜分别包好或分别放入塑料袋中。</li><li>• 在室温下将它们留在包装中化霜，或打开包装，将它们放入烤炉烤15—20分钟。</li></ul>	
	馅饼与果酱馅饼	最长储存3个月
	<ul style="list-style-type: none"><li>• 将已经烤过的或未烤过的馅饼与果酱馅饼装入厚塑料袋中，然后放入冷冻室。</li></ul>	
	烤饼	最长储存3个月
	<ul style="list-style-type: none"><li>• 冷却从烤炉中取出的烤饼，将它们装入塑料袋后放入冷冻室。从冷冻室取出后的烤饼，可以再放入烤炉烤15—20分钟。</li></ul>	

获取更多资料 微信搜索 蓝领星球

## 在给售后服务打电话之前

### 在给售后服务打电话之前应该做什么

如果您发现冰箱出现故障，在给售后服务打电话前，可以自己先做一些简单的检查。这样做也许可以发现故障出在哪，避免给您带来不便，也可节省时间与金钱。

故障	解决方案
冰箱不能正常工作	<p>如果您的冰箱不能运转，尝试通过调节温控器调低温度。在自动化霜时或冰箱刚刚启动时，冷冻室风扇停止工作是正常的。温度调低后，冰箱可能开始运转。如果这样做还是不行，检查冰箱插头是否正确插入插座，插座开关是否在开“ON”位置。在这个插座上插入另一台电器看是否能运行以检验插座是否有问题。如果插座不能供电，可能您家的保险丝烧断了或跳闸了。如果您打电话要求上门服务，之后发现故障是因为您自家的电路问题，您需要支付此次维修服务。</p>
冰箱噪音	<p>现代具有大容积的冷藏室/冷冻室冰箱使用高速压缩机。这种压缩机运行噪音稍高，但这是正常情况。</p> <p>正常运转声音包括：</p> <ul style="list-style-type: none"><li>• 偶尔的汩汩声，类似于水烧开水。</li><li>• 空气流动声（因为有小风扇运转，空气产生循环）。</li><li>• 自动化霜时的砰砰声。</li><li>• 压缩机启动前的滴答声（这仅仅是温控器启动的声音，启动或停止压缩机运转）。</li></ul> <p>当制冰器工作时，以下声音属于正常声音：</p> <ul style="list-style-type: none"><li>• 电机运转声。</li><li>• 冰块落入储冰盒中的声音。</li><li>• 水阀开或关的声音。</li><li>• 冰块从容器中松动的声音。</li><li>• 水流声。</li></ul> <p>其它异常声音可能表明您需要检查冰箱并采取行动。例如，噪音可能表示：</p> <ul style="list-style-type: none"><li>• 冰箱没有摆放平稳。</li><li>• 地面不平或太软。</li><li>• 冰箱内瓶子没有摆放好，发出嘎嘎声。</li><li>• 冰箱顶部、背部或侧部有东西产生共震。</li><li>• 冰箱背部接触到墙壁了。</li></ul> <p>记住冰箱刚刚启动后噪音较大是正常的。</p>
冰箱内有异味	<ul style="list-style-type: none"><li>• 冰箱内部需要清洗。</li><li>• 某些食物散发出来的气味。</li><li>• 某些容器、塑料膜可产生气味。</li><li>• 异味是否始于您在冰箱内存放了一些不寻常的东西。</li></ul>

## 在给售后服务打电话之前

故障	解决方案
电机运转的时间似乎比正常期望的时间长	<p>新冰箱的冷冻室与冷藏室提供您较大储存空间，电机启动频繁是正常的。但要将电机运转控制在最小，检查以下几项：</p> <ul style="list-style-type: none"> <li>• 门是否开得太久或太频繁？</li> <li>• 温度是否设置得太低？见第9页‘调整温度’。</li> <li>• 是否刚放入大量过热食物？夏季、节假日、休假通常意味着您的冰箱运行负荷更重。</li> <li>• 如果天气太热或室温过高，冰箱运行比平常更频繁。</li> </ul> <p>如果您是在刚刚安装好冰箱之后或长时间关闭冰箱后重新运行，冰箱运行会比平常更频繁。</p>
热空气	检查冰箱两侧、背部和顶部是否留有足够空间。见本手册第5页‘安装’。
冰箱内温度是否太高	见本手册第9页‘温度调节’，可能是您将冰箱门开得太久或太频繁造成的。也许食物容器或包装使门关不上。
冰箱内温度是否太低	<ul style="list-style-type: none"> <li>• 见本手册第11页‘温度调节’。</li> <li>• 调高温度避免浪费电力。</li> </ul>
门是否不能关上	<ul style="list-style-type: none"> <li>• 检查冰箱顶部是否向后倾斜10—15mm，使门可以自我关闭</li> <li>• 检查是否有什么东西卡住门不能关上。</li> </ul> <p>冷藏室门关闭时，冷冻门片刻打开然后又关闭是正常的。如果冷冻室门还是开着的，它表明冰箱箱体还需进一步向后倾斜一点。如果您打电话叫维修人员解决此问题，您会被要求支付服务费用，因为这不属于保修范围。</p>
冷冻室是否结了厚厚的霜	从冷藏室或冷冻室取出或放入食物后确保门关严了。如果门未完全关闭，冷冻室内会结一层厚厚的霜。如果冰箱结霜了，要去霜。请关好门，下次就不会再结霜了。

## 在给售后服务打电话之前

### 制冰器问题清单

问题	可能的原因	行动
<b>自动制冰器</b>		
制冰器不制冰	<ol style="list-style-type: none"> <li>1. 制冰器在关位置。</li> <li>2. 供水管阀门未打开。</li> <li>3. 冷冻室温度不够低。</li> <li>4. 冰水分配器不能分配冰水</li> </ol>	<ol style="list-style-type: none"> <li>1. 将开关打到开位置。</li> <li>2. 将供水管阀门打开。</li> <li>3. 见本章问题一节的温度太高。</li> <li>4. 如果不是分配器问题，可能是由于冰块与冰水过滤器堵塞或被其它异物卡住，需要更换过滤器。</li> </ol>
制冰器制冰量不足	<ol style="list-style-type: none"> <li>1. 制冰器制出的冰没有期望的多。</li> <li>2. 冷冻室温度不够。</li> <li>3. 供水管阀门未完全打开。</li> <li>4. 冰水分配器分配速度比正常速度慢。</li> </ol>	<ol style="list-style-type: none"> <li>1. 制冰器每24小时应制出约2~3公斤冰块。</li> <li>2. 见第9页‘温度调节’。</li> <li>3. 将供水管阀门完全打开。</li> <li>4. 更换冰块与冰水过滤器。</li> </ol>
制冰器制冰不停止	<ol style="list-style-type: none"> <li>1. 制冰器金属信号臂被冷冻室中某物卡在下面。</li> </ol>	<ol style="list-style-type: none"> <li>1. 清除障碍物，释放金属信号臂。清除冻结在一起并阻挡金属信号臂的冰块。</li> </ol>
制冰器不能将冰块分开	<ol style="list-style-type: none"> <li>1. 未经常取用冰块。</li> <li>2. 冰块中间是空的或比正常大小要小。</li> </ol>	<ol style="list-style-type: none"> <li>1. 取出储冰盒并摇晃冰块，使冰块相互分离。</li> <li>2. 更换冰块与冰水过滤器，它可能堵塞了。</li> </ol>
冰块有异常气味与味道	<ol style="list-style-type: none"> <li>1. 冰块可能吸取了冷冻室或冷藏室内其它气味较重的食物的气味或味道。</li> <li>2. 进入制冰器的水本身有味道或有气味。</li> <li>3. 未经常取用冰块。</li> </ol>	<ol style="list-style-type: none"> <li>1. 把储存在冰箱内的食物包严实。丢弃变味的冰块，制冰器会重新制造冰块。</li> <li>2. 在供水管处加装一个过滤器，请与专业净化水公司联系。</li> <li>3. 丢弃变味的冰块。</li> </ol>
<b>冰块分配器</b>		
分配器不能分配出冰块	<ol style="list-style-type: none"> <li>1. 储冰盒空了，没有冰块。</li> <li>2. 冷冻室温度设置太高。</li> <li>3. 供水管阀门未打开。</li> <li>4. 冷冻室门没关好。</li> <li>5. 冰块分配器阀门板被抵住4~5分钟。</li> </ol>	<ol style="list-style-type: none"> <li>1. 当第一批冰块落入储冰盒中，分配器应开始工作。</li> <li>2. 将冷冻室温度打低让制冰器制冰。当第一批冰块落入储冰盒中，分配器应开始工作。</li> <li>3. 打开供水管阀门，等冰块制造出来，当冰块落入储冰盒中，分配器应开始工作。</li> <li>4. 确保冷冻室门关闭。</li> <li>5. 电机负荷过载，3分钟后电机过载保护器恢复，可再次分配冰块。</li> </ol>
冰块分配器堵塞	<ol style="list-style-type: none"> <li>1. 由于不经常取用冰块、温度波动或断电等原因，使冰块融化后在螺旋处再次冻结。</li> <li>2. 冰块在制冰器与储冰盒后部之间堵塞在一起。</li> <li>3. 冰块冻结在一起。</li> <li>4. 冰块中间是空的或比正常大小要小。</li> </ol>	<ol style="list-style-type: none"> <li>1. 取出并清空储冰盒，清洗并干燥储冰盒，然后将其放回原位。当新的冰块落入储冰盒中，分配器应开始工作。</li> <li>2. 取出堵塞分配器的冰块。</li> <li>3. 经常使用分配器，使冰块不会冻结在一起。</li> <li>4. 冰块与冰水过滤器可能被堵塞，需要更换过滤器。当供水压力处于30-100 psi范围内，分配器处于最佳运行状态。</li> </ol>

## 在给售后服务打电话之前

---

如果您仍需要服务。

如果您的冰箱出了问题，且您已经按照以上所述步骤检查了冰箱，请与离您最近的服务网点或您购买此电器的经销商联系。

在申请维修服务时，请告知您所购产品的型号，此信息贴在产品内的信息标签上。

### 重要提示

在您打电话要求维修人员上门服务前，请仔细阅读产品使用说明书及服务手册。

获取更多资料 微信搜索蓝领星球

©2005 ELECTROLUX HOME PRODUCTS PTY LTD A.B.N 51 004 762 341

 **The Electrolux Group. The world's No.1 choice.**

KITCHEN, CLEANING AND OUTDOOR APPLIANCES

[www.electrolux.com.au](http://www.electrolux.com.au)

获取更多资料 微信搜索蓝领星球

Piece No: 1448601  
Date of Issue: Feb 2006